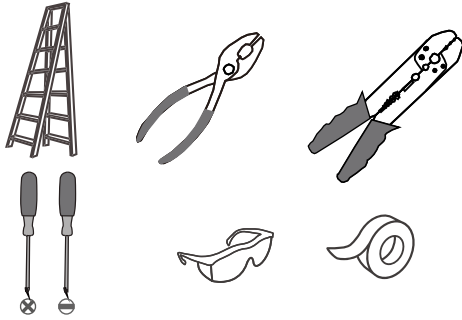
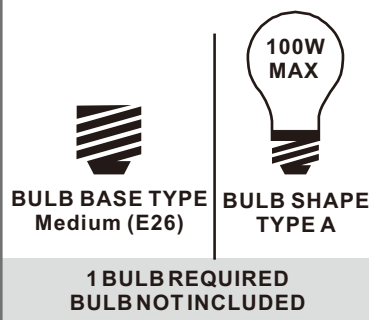


Tools Required



Light Source



**Fixture Height Adjustable
13.75" to 51.25"**

Warnings and Cautions

Turn off the electricity at the circuit breaker before installation. Consult a licensed electrician if in doubt about installation.

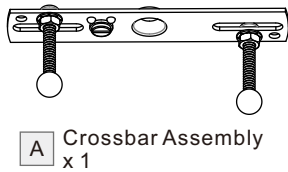
Turn off power to the fixture and allow the bulbs to cool before replacing.

Package Contents

Preparation: Identify and inspect all parts before beginning the installation.

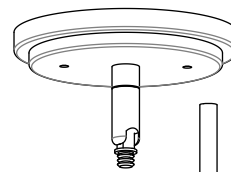
Missing or damaged parts? Contact your original place of purchase.

PARTS BAG



B Outlet Box Screw x 2

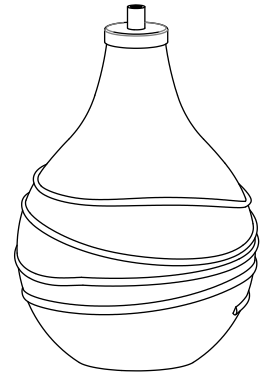
C Wire Connector x 3



D Ceiling Canopy Assembly x 1

E 6" L Rod x 2

F 12" L Rod x 2



G Fixture Body x 1

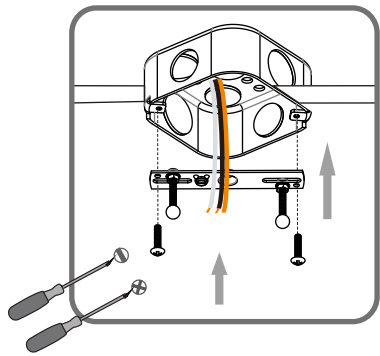
Table of Contents

Crossbar Assembly	Ceiling Canopy Assembly & Downrod	Wiring	Ceiling Canopy	Bulb
STEP 1	STEP 2	STEP 3	STEP 4	STEP 5

STEP 1

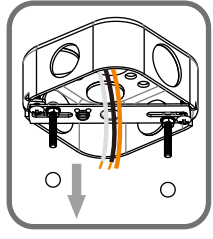
1

Step 1
Install crossbar assembly

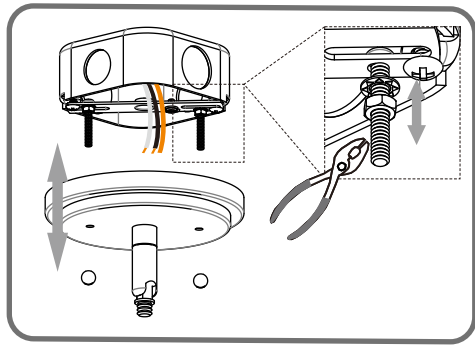


2

Step 2 - 3
Test fitting ceiling canopy to mounting screws



3



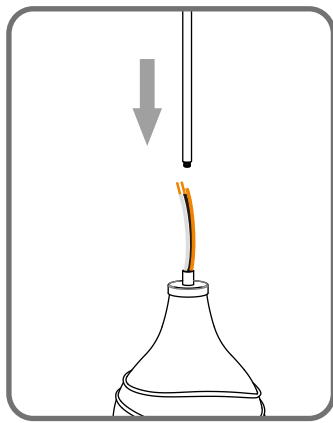
STEP 2

OPTION 1

Pendant — QPP4019BN, QPP4019C, QPP4019OZ

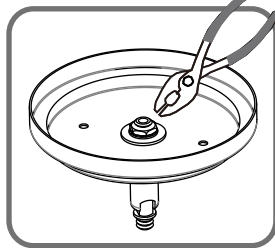
1

Install rods



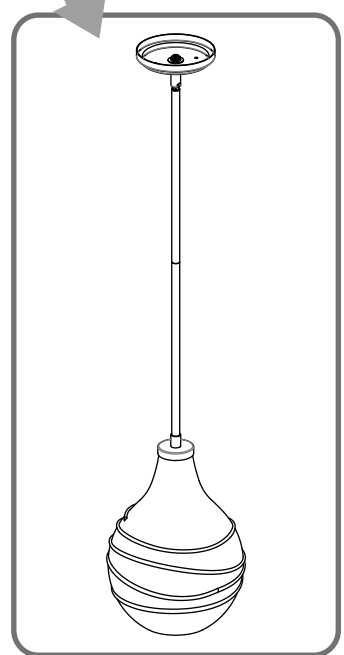
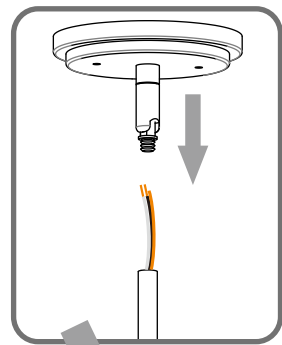
2

Tighten hex nut inside of the ceiling canopy



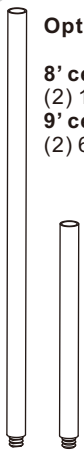
3

Install Ceiling Canopy



Optional Rods

8' ceiling:
(2) 12" L rods
9' ceiling:
(2) 6" L + (2) 12" L rods

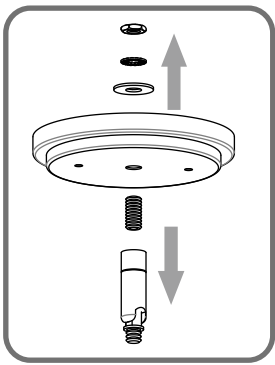


OPTION 2

Semi-flush — QSF4019BN, QSF4019C, QSF4019OZ

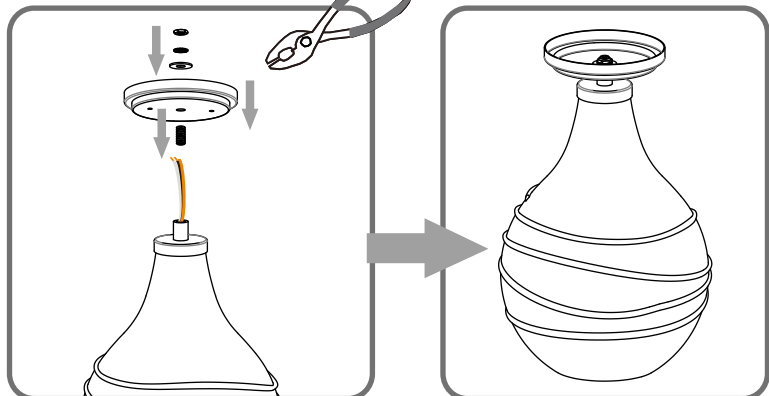
1

Remove swivel

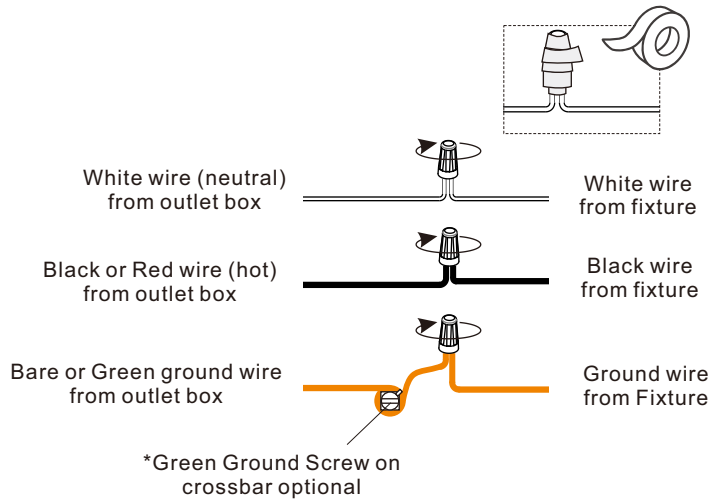


2

Install ceiling canopy



STEP 3



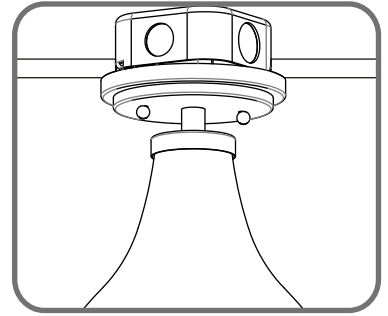
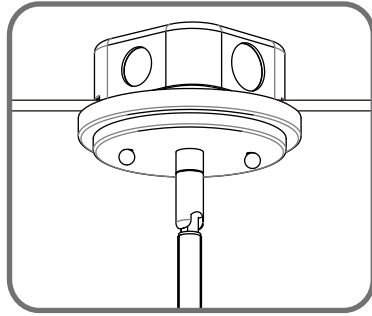
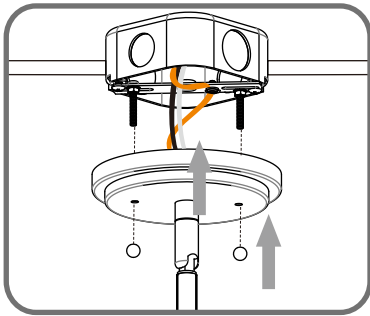
STEP 4

OPTION 1

QPP4019BN, QPP4019C, QPP4019OZ

OPTION 2

QSF4019BN, QSF4019C, QSF4019OZ



STEP 5

OPTION 1

QPP4019BN, QPP4019C, QPP4019OZ

OPTION 2

QSF4019BN, QSF4019C, QSF4019OZ

