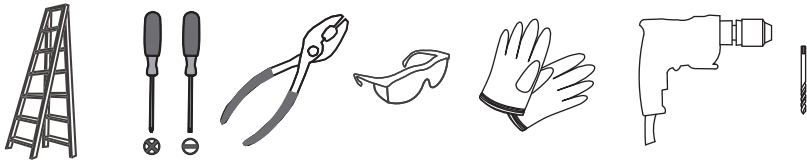


Tools Required



**⚠ Warnings and Cautions**

These instructions are provided for your safety. It is very important you read them completely before installing the mirror.

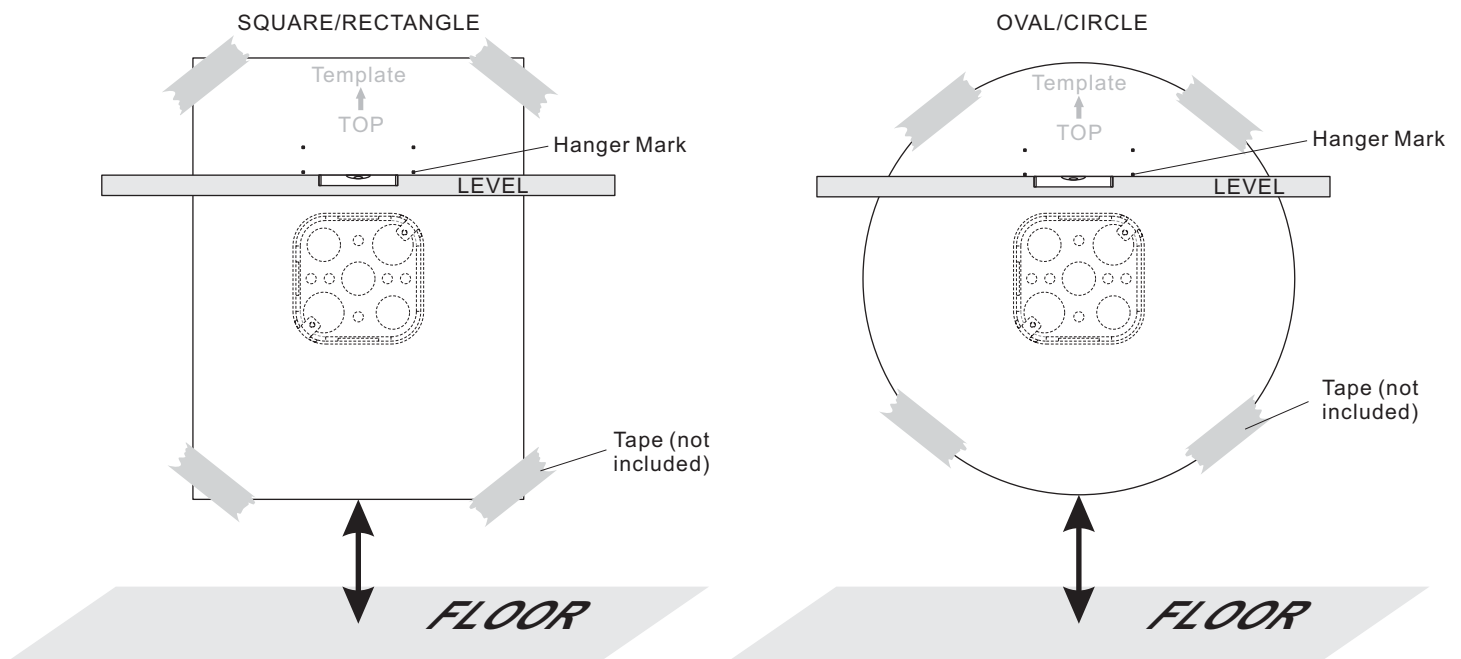
Quoizel recommends 2 people for each step during assembly.

Table of Contents

<b>Mirror Template</b>	<b>Wall Anchors, Screws &amp; Hangers</b>	<b>Wiring</b>	<b>Install Mirror</b>	<b>Clean</b>
<b>STEP 1</b>	<b>STEP 2</b>	<b>STEP 3</b>	<b>STEP 4</b>	<b>STEP 5</b>

STEP 1

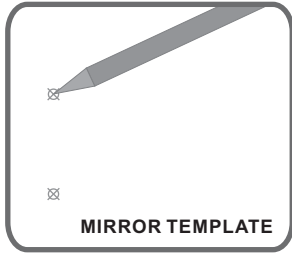
**Note: Mirror Shapes may varies according to purchased.**  
Temporarily attach the mirror template on the wall in the desired mirror hanging location.



## STEP 2

1

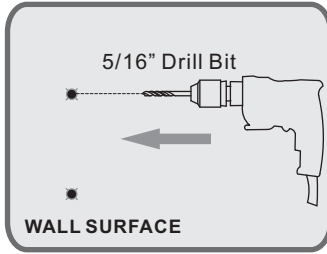
Poke and Mark Points  
on the Wall



Remove  
Mirror Template

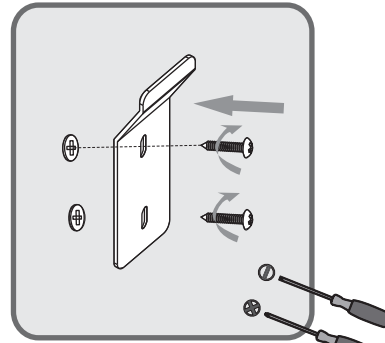
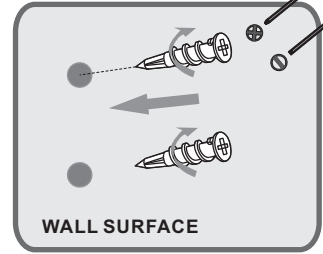
2

Drill Hole



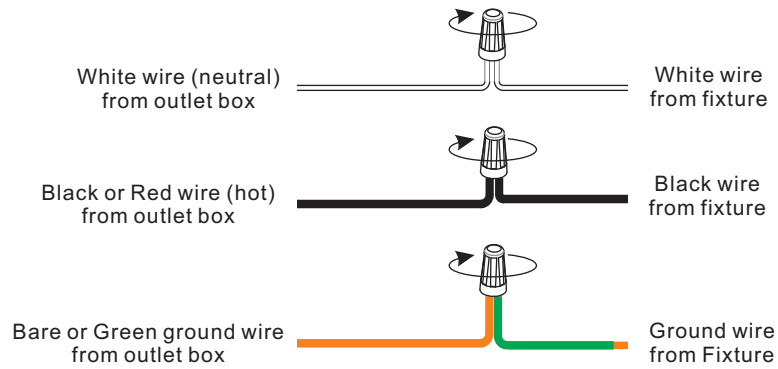
3

Insert Wall Anchor

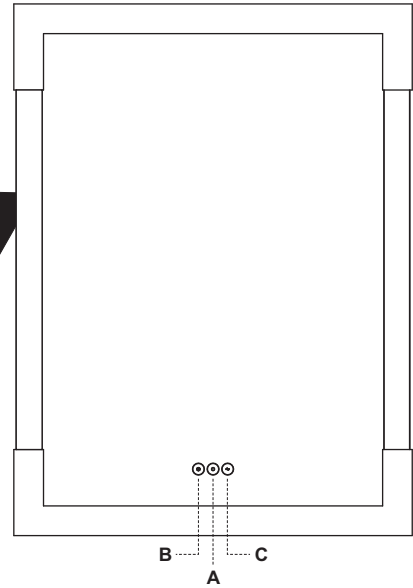
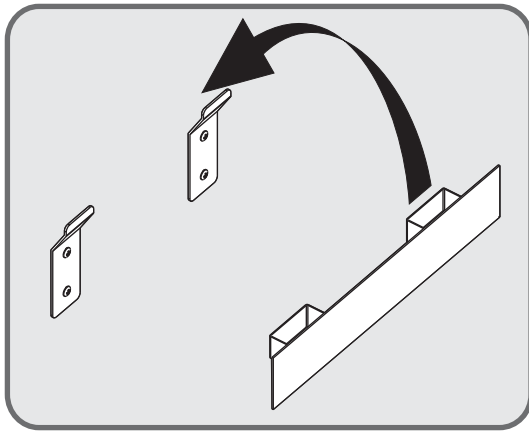


4

## STEP 3



## STEP 4

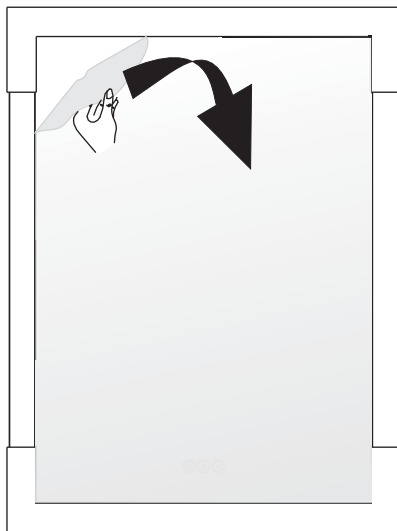


Button A: On/Off switch  
Button B: Dimmer switch  
Button C: Color Temperature switch

## STEP 5

1

Remove Protective Film



2

Clean Mirror

