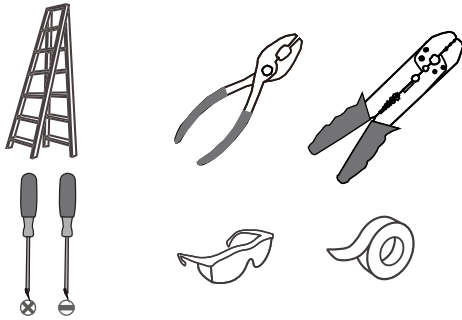
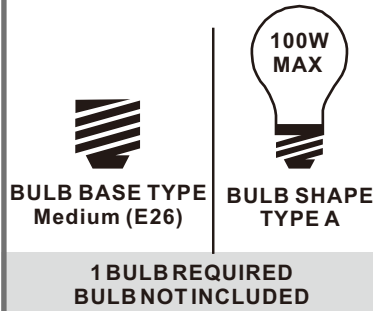


Tools Required



Light Source



**Fixture Height Adjustable
22.25" to 108.25"**

⚠ Warnings and Cautions

Turn off the electricity at the circuit breaker before installation. Consult a licensed electrician if in doubt about installation.

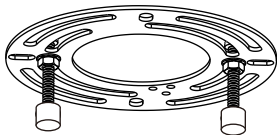
Turn off power to the fixture and allow the bulbs to cool before replacing.

Package Contents

Preparation: Identify and inspect all parts before beginning the installation.

Missing or damaged parts? Contact your original place of purchase.

PARTS BAG



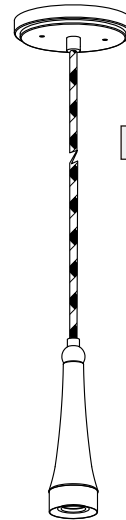
A Crossbar Assembly
x 1



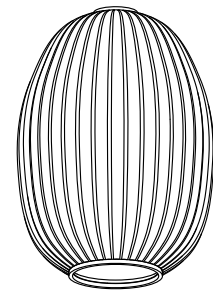
B Outlet Box Screw
x 2



C Wire Connector
x 3



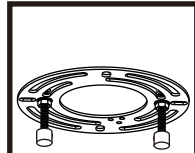
E Fixture Body
x 1



F Shade
x 1

Table of Contents

Crossbar Assembly



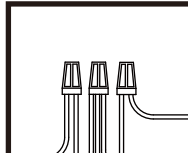
STEP 1

Adjust cord



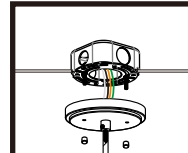
STEP 2

Wiring



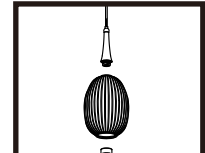
STEP 3

Ceiling Canopy



STEP 4

Shade & Bulb

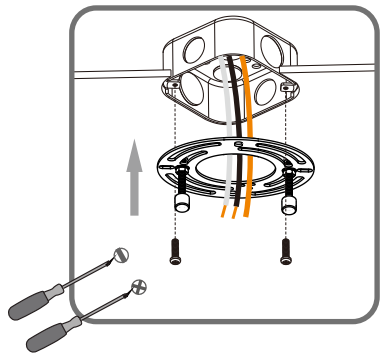


STEP 5

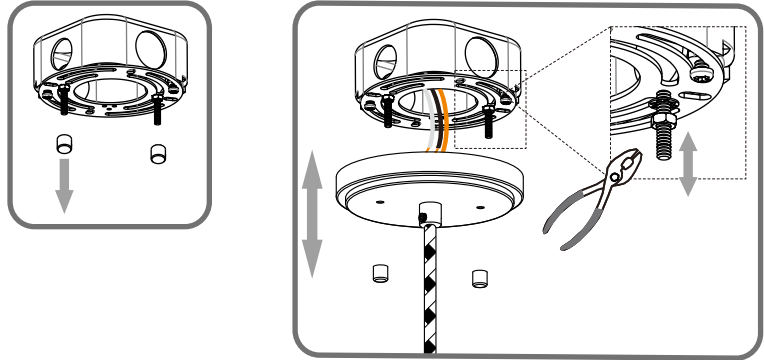
STEP 1



Step 1
Install crossbar assembly



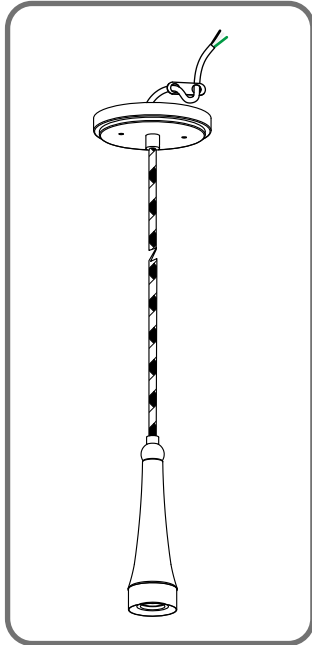
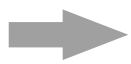
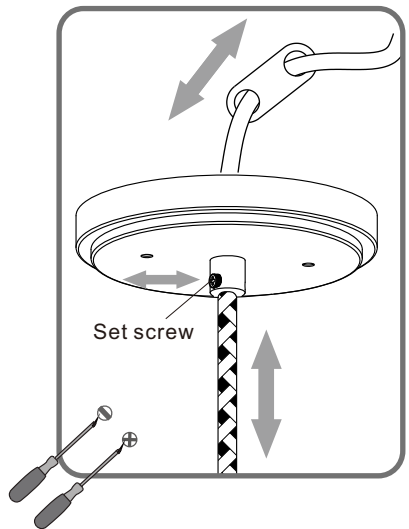
Step 2 - 3
Test fitting ceiling canopy to mounting screws



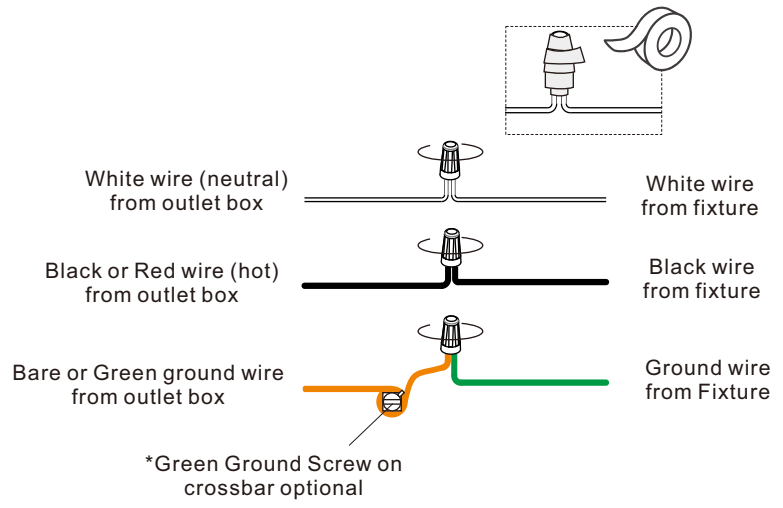
STEP 2



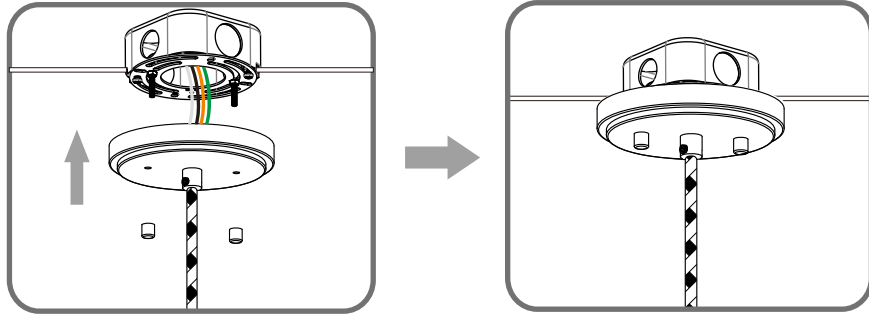
Adjust cord length



STEP 3



STEP 4



STEP 5

