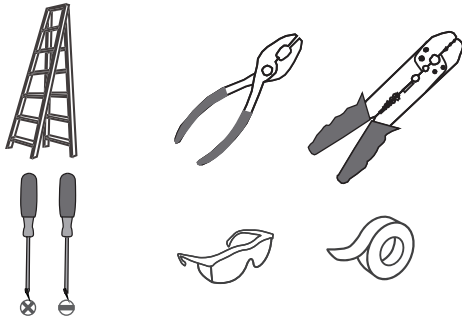
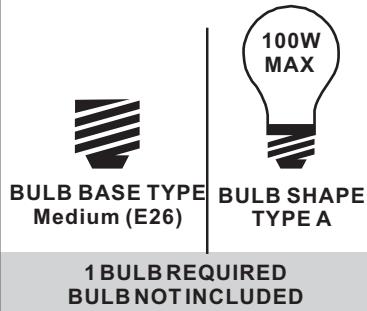


Tools Required



Light Source



**Fixture Height Adjustable
17.5" to 53.5"**

⚠ Warnings and Cautions

Turn off the electricity at the circuit breaker before installation. Consult a licensed electrician if in doubt about installation.

Turn off power to the fixture and allow the bulbs to cool before replacing.

Package Contents

Preparation: Identify and inspect all parts before beginning the installation.

Missing or damaged parts? Contact your original place of purchase.

PARTS BAG

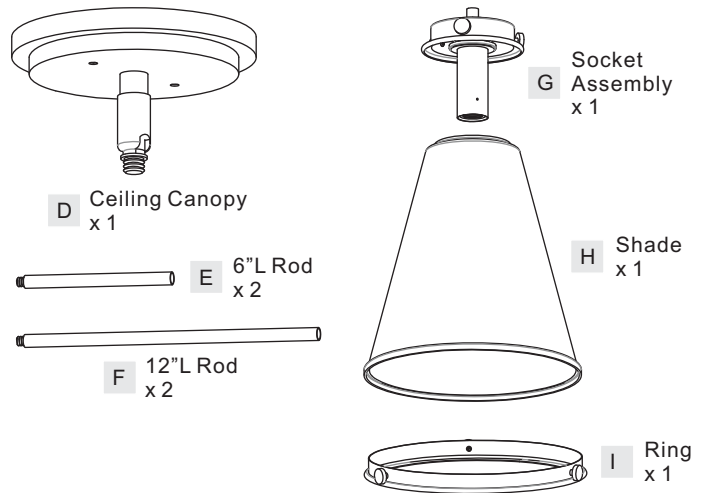
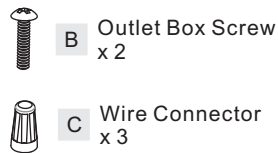
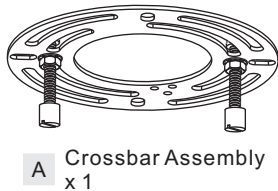
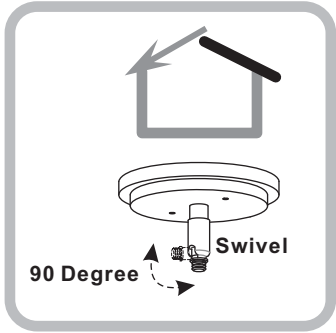


Table of Contents

Crossbar Assembly	Downrod	Wiring	Ceiling Canopy	Glass Shade	Ring	Bulb
STEP 1	STEP 2	STEP 3	STEP 4	STEP 5	STEP 6	STEP 7

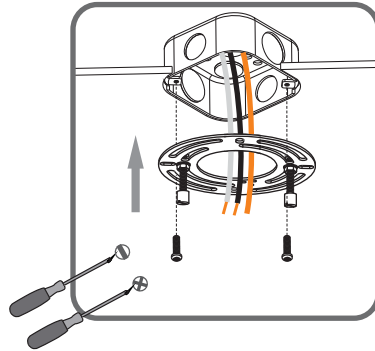
STEP 1



For angled ceilings,
Swivel opening towards wall.

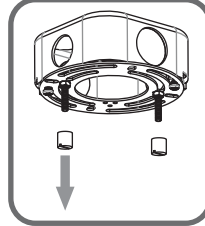
1

Step 1
Install crossbar assembly

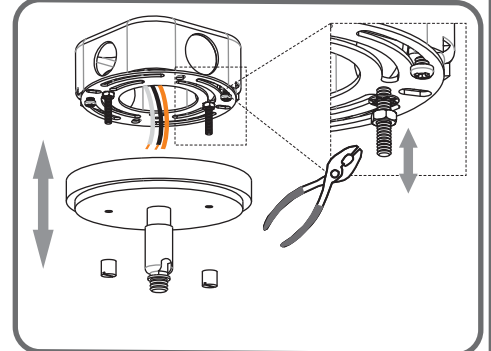


2

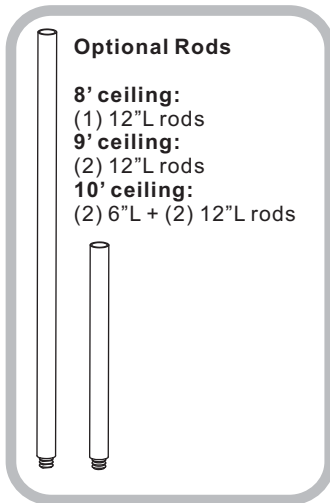
Step 2 - 3
Test fitting ceiling canopy to
mounting screws



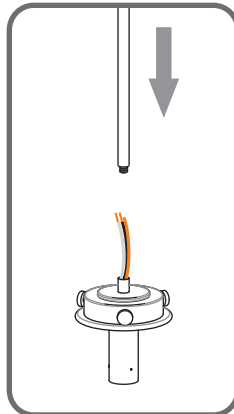
3



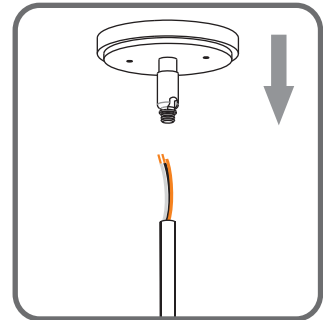
STEP 2



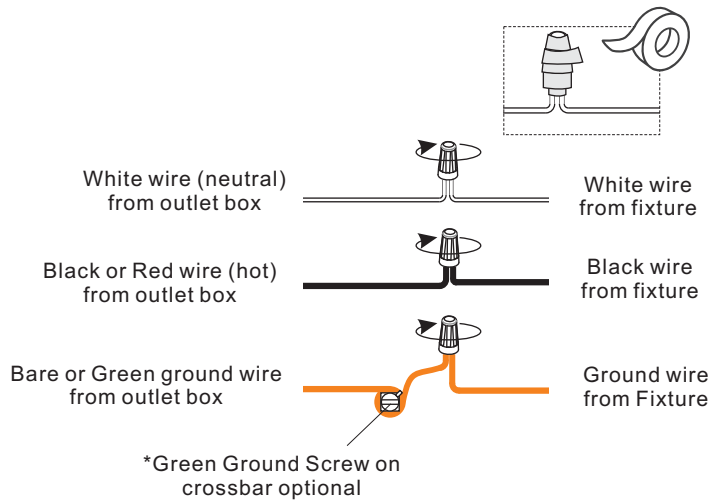
1



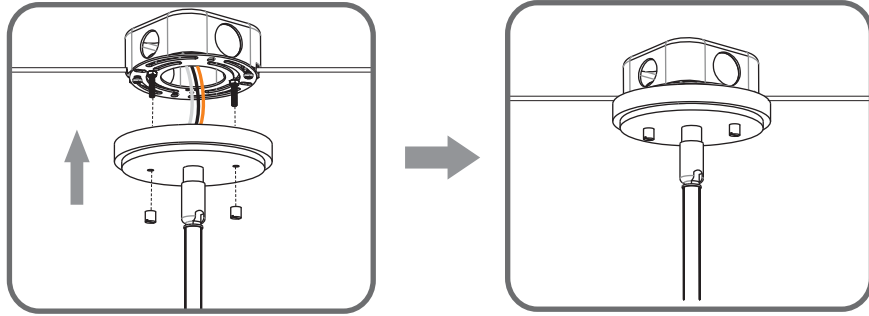
2



STEP 3



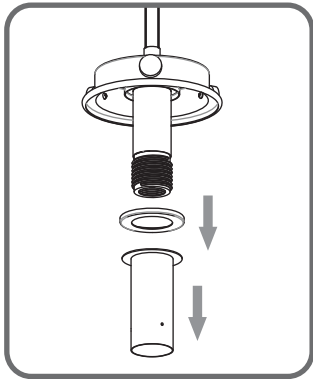
STEP 4



STEP 5

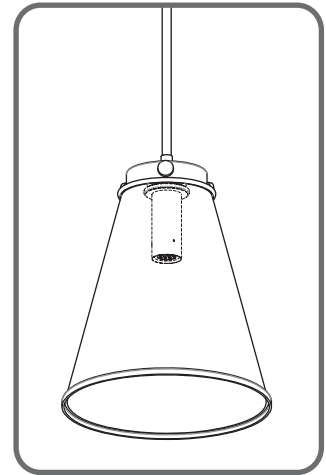
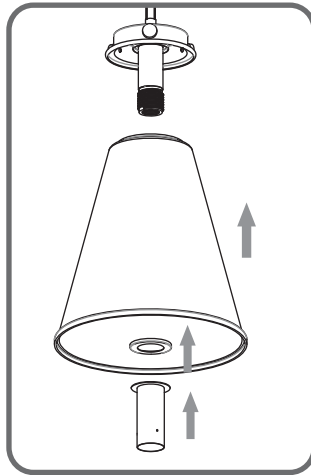
1

Remove socket collar and steel collar



2

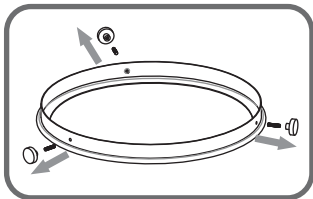
Install glass shade



STEP 6

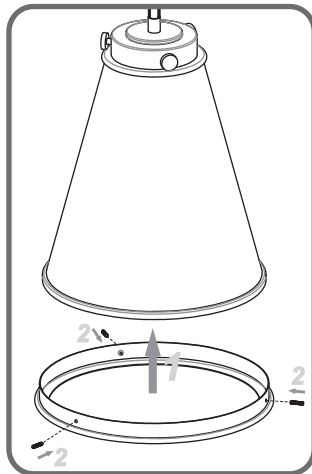
1

Remove lock balls, bolts from ring



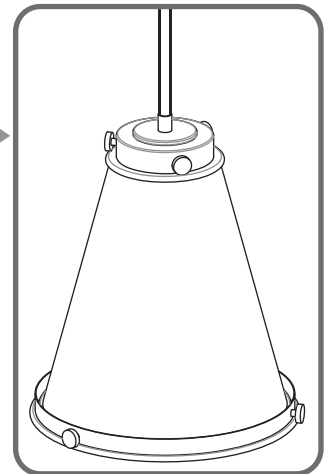
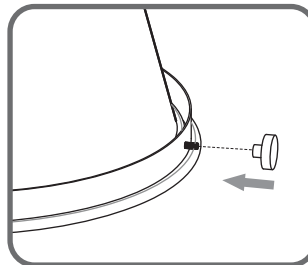
2

Install glass shade



3

Install lock ball



STEP 7

