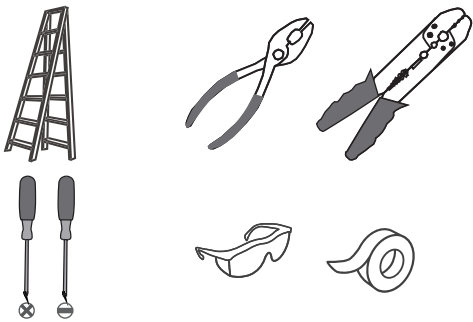
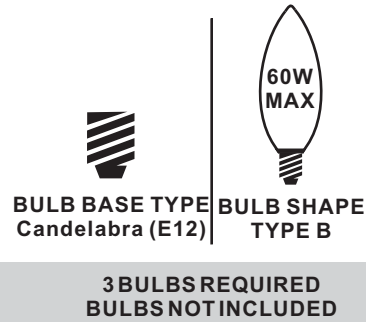


Tools Required



Light Source



Fixture Height Adjustable
29.25" to 64.25"

Warnings and Cautions

Turn off the electricity at the circuit breaker before installation. Consult a licensed electrician if in doubt about installation.

Turn off power to the fixture and allow the bulbs to cool before replacing.

Package Contents

Preparation: Identify and inspect all parts before beginning the installation.

Missing or damaged parts? Contact your original place of purchase.

PARTS BAG

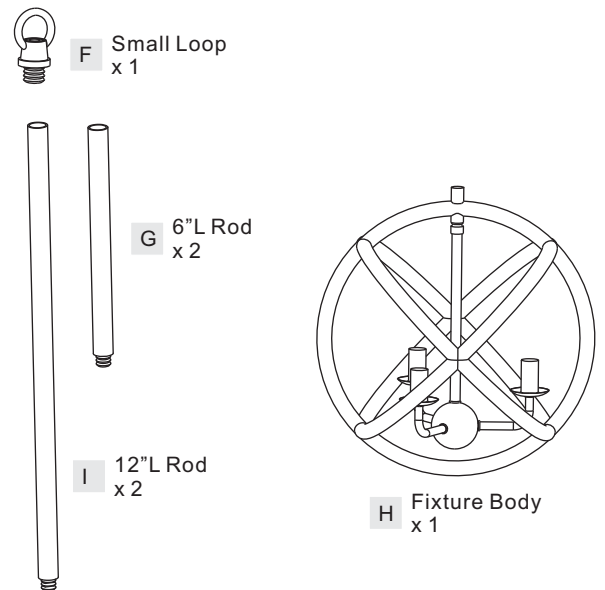
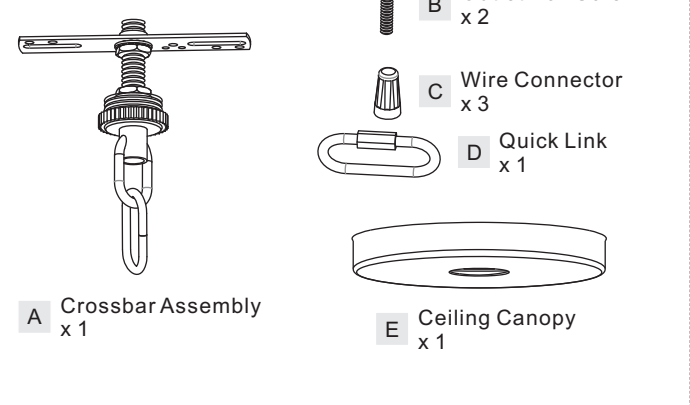
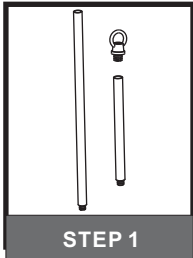
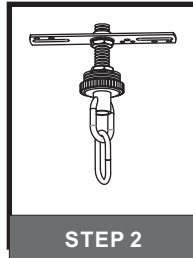


Table of Contents

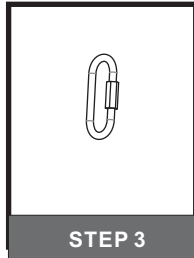
Rods & Small Loop



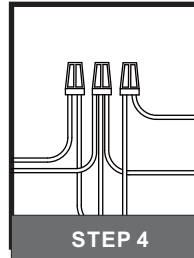
Crossbar Assembly



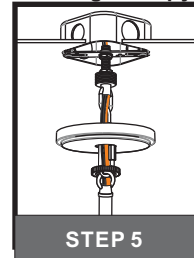
Quick Link



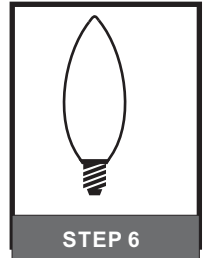
Wiring



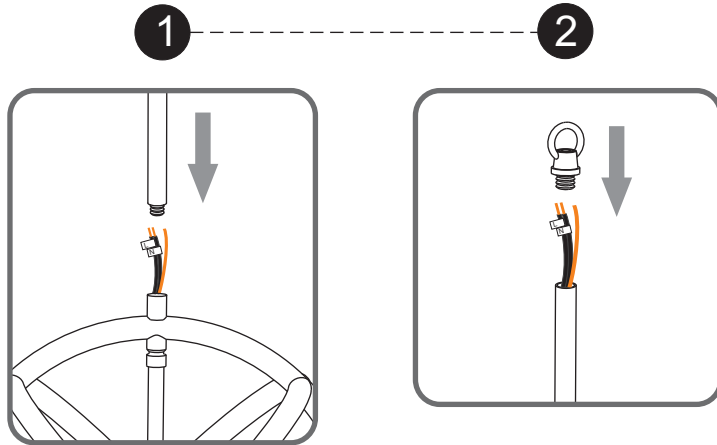
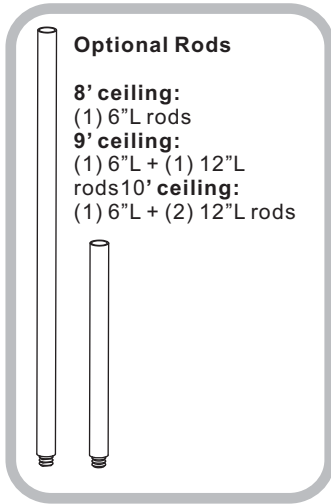
Ceiling Canopy



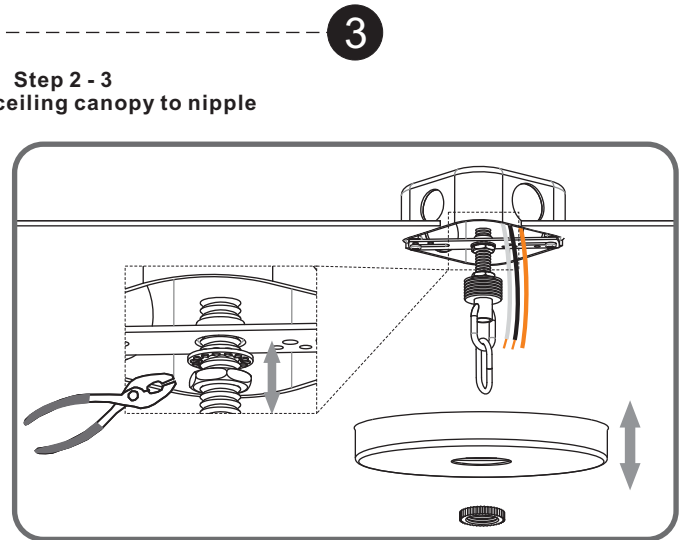
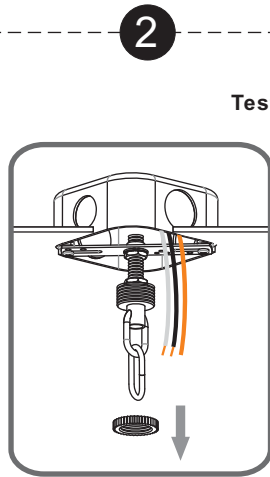
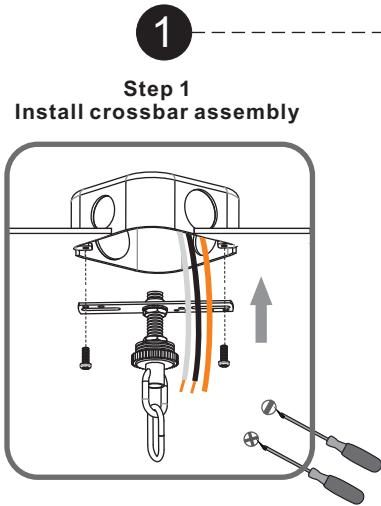
Bulb



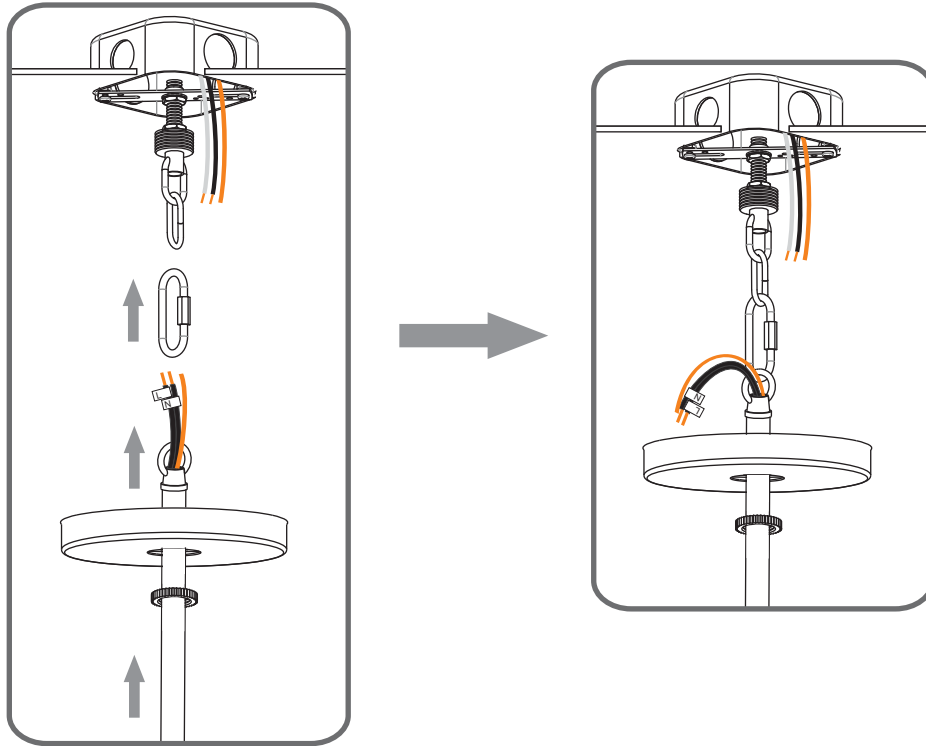
STEP 1



STEP 2



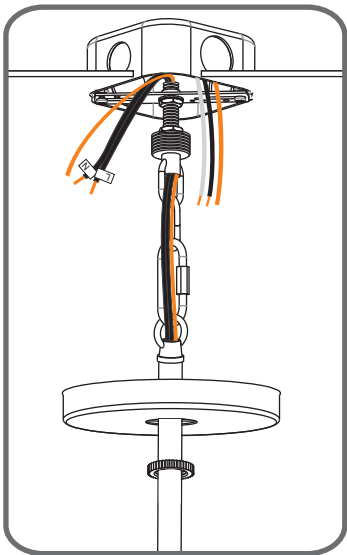
STEP 3



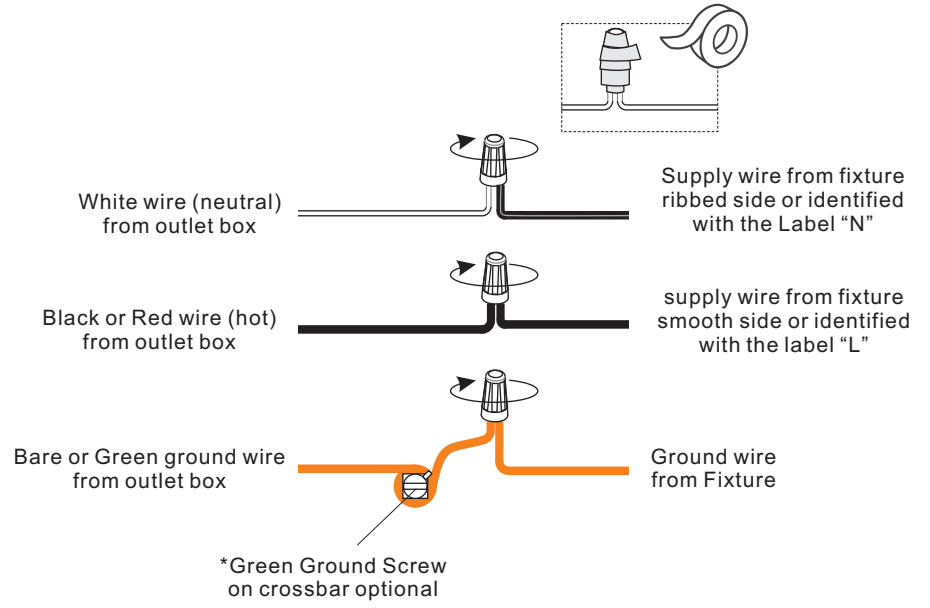
STEP 4

1

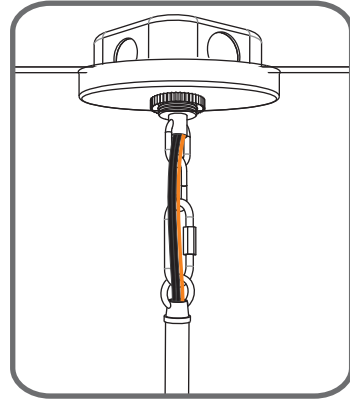
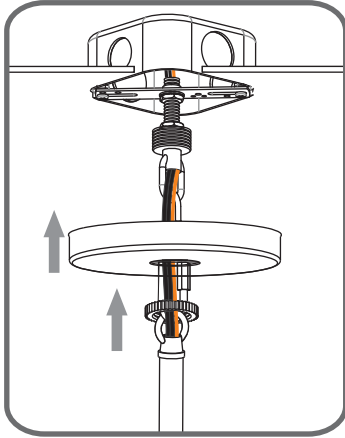
Step 1
Feed the fixture wires
through the loop



2



STEP 5



STEP 6

