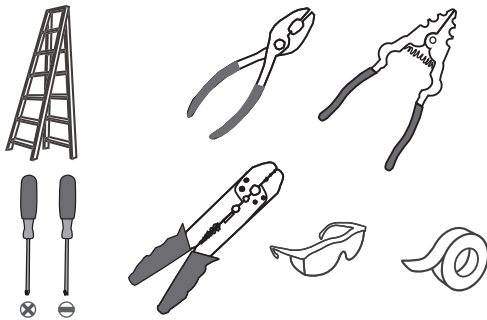
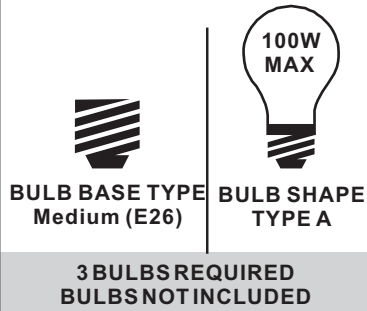


**Tools Required**



**Light Source**



**Fixture Height Adjustable 22.5" to 70.5"**

**Warnings and Cautions**

Turn off the electricity at the circuit breaker before installation. Consult a licensed electrician if in doubt about installation.

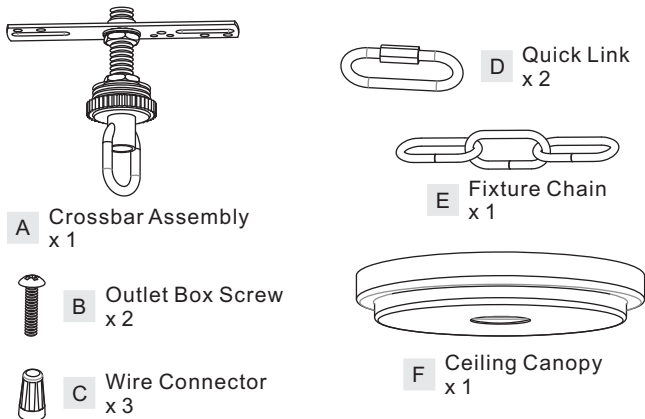
Turn off power to the fixture and allow the bulbs to cool before replacing.

**Package Contents**

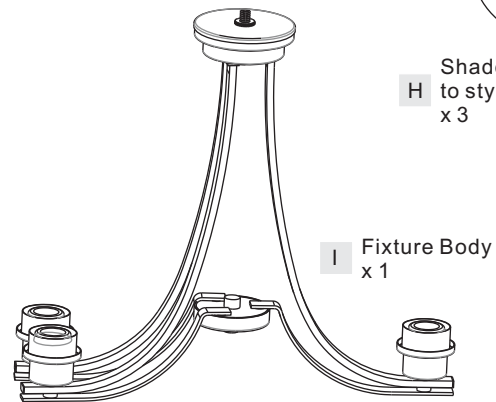
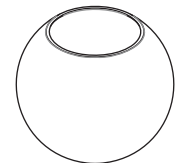
**Preparation:** Identify and inspect all parts before beginning the installation.

Missing or damaged parts? Contact your original place of purchase.

**PARTS BAG**



**Note:** Shade shape is for illustration purpose only. Your shade shape may vary from illustration.



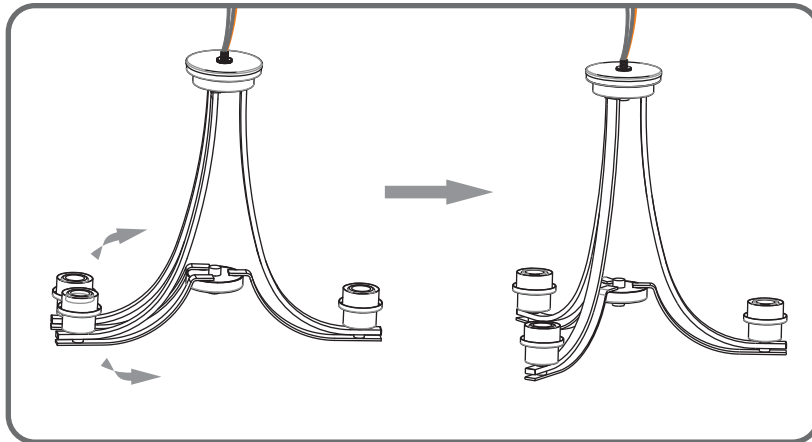
**Table of Contents**

Fixture Loop	Crossbar Assembly	Fixture Chain	Wiring	Ceiling Canopy	Shade & Bulb
STEP 1	STEP 2	STEP 3	STEP 4	STEP 5	STEP 6

# STEP 1

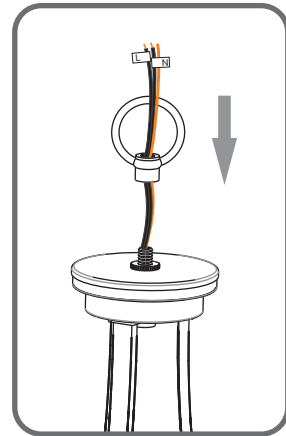
1

Step 1  
Unfold Support Arms



2

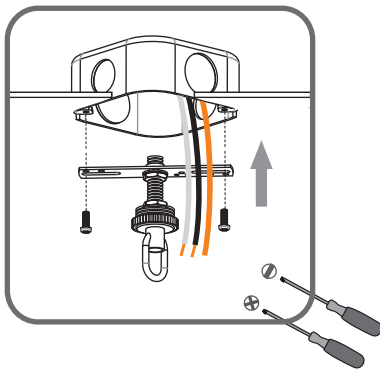
Step 2  
Install Fixture Loop



# STEP 2

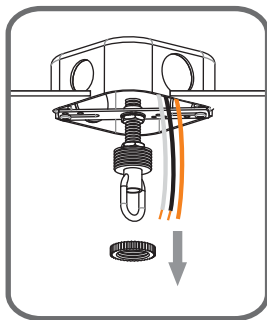
1

Step 1  
Install crossbar assembly

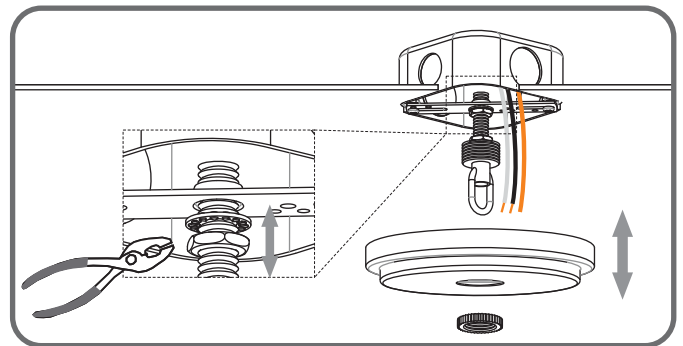


2

Step 2 - 3  
Test fitting ceiling canopy to nipple



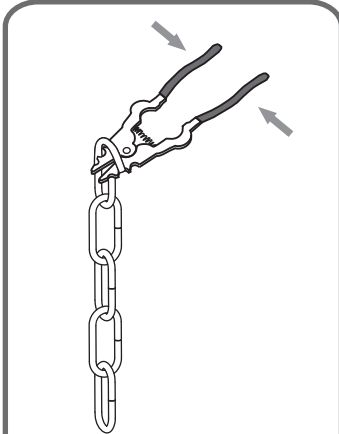
3



### STEP 3

1

Step 1  
Adjust fixture chain length

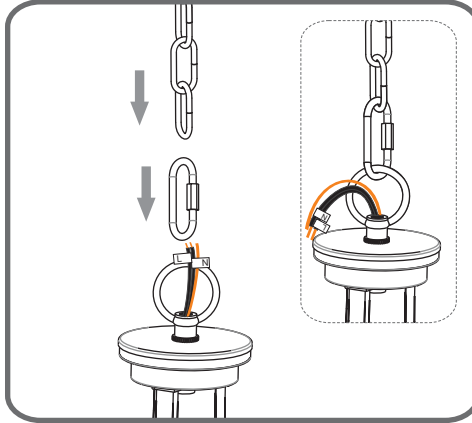


Suggested Chain Length:

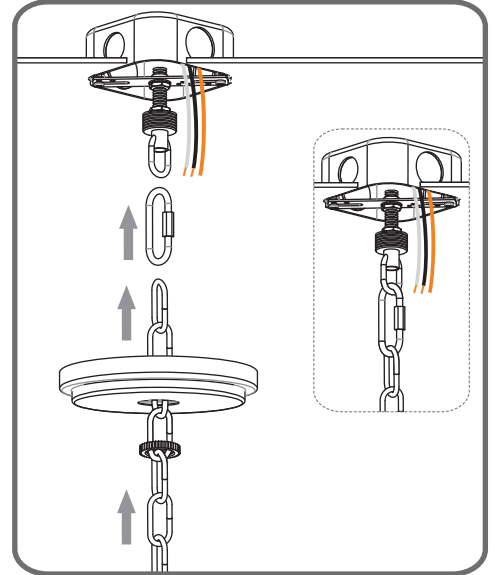
- 8' ceiling: 10" Chain
- 9' ceiling: 22" Chain
- 10' ceiling: 32" Chain

2

Step 2 - 3  
Install Fixture Chain



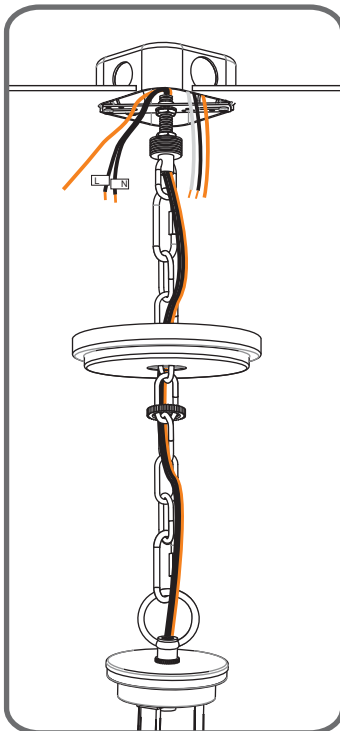
3



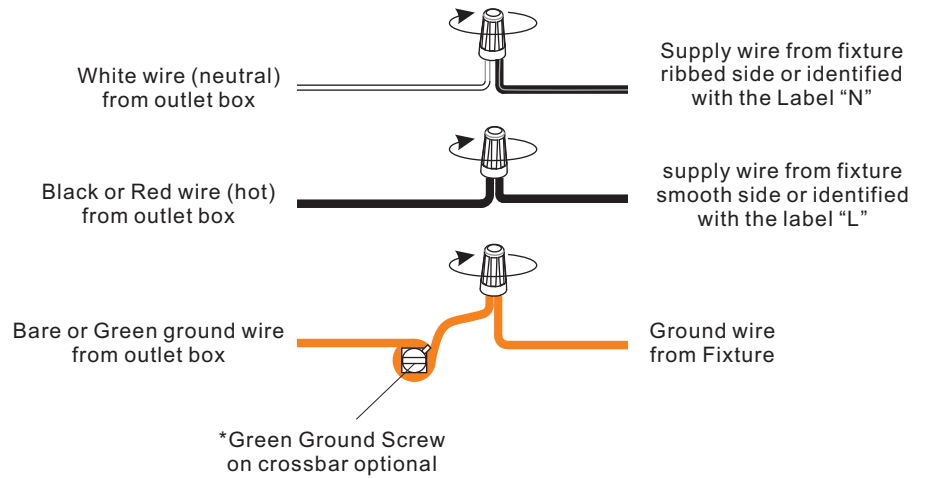
### STEP 4

1

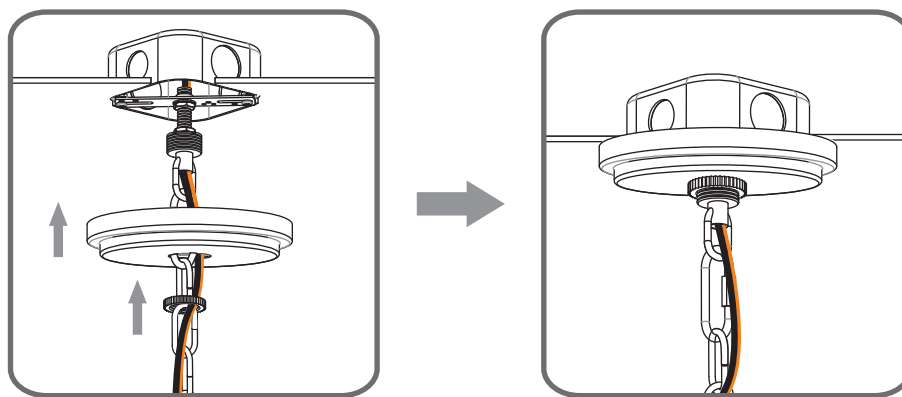
Step 1  
Feed the fixture wires  
through the loop



2

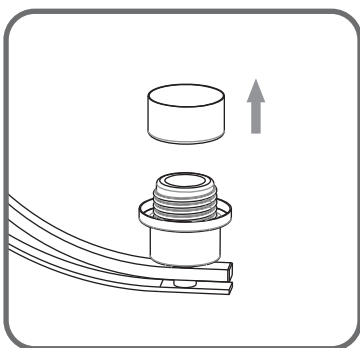


## STEP 5



## STEP 6

1



2

Note: Shade shape is for illustration purpose only. Your shade shape may vary from illustration.

