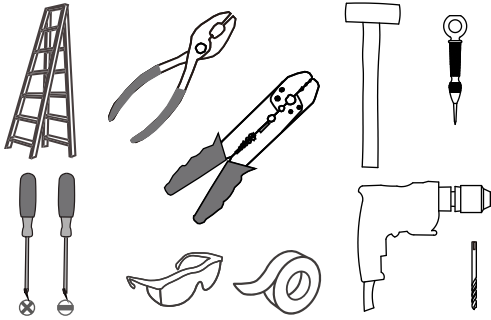
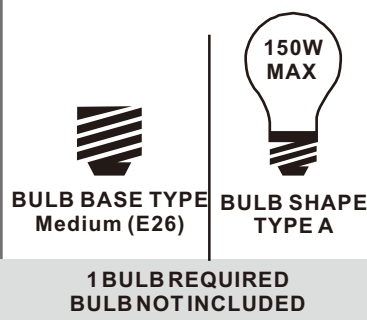


Tools Required



Light Source



**⚠ Warnings and Cautions**

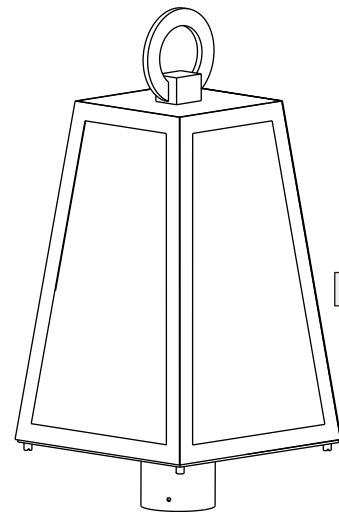
Turn off the electricity at the circuit breaker before installation. Consult a licensed electrician if in doubt about installation.

Turn off power to the fixture and allow the bulbs to cool before replacing.

Package Contents

**Preparation:** Identify and inspect all parts before beginning the installation.  
Missing or damaged parts? Contact your original place of purchase.

**PARTS BAG**



**C** Fixture Body x 1

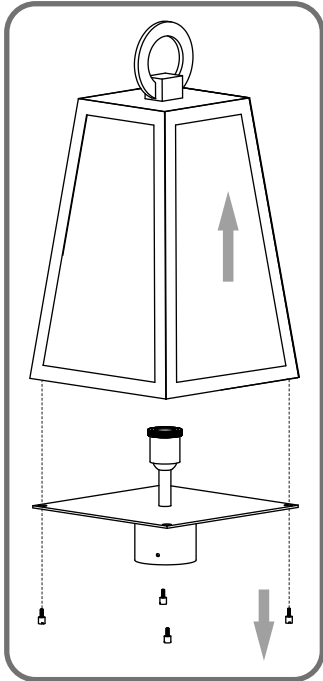
Table of Contents

Bulb	Drill Holes	Wiring	Fixture Body
STEP 1	STEP 2	STEP 3	STEP 4

**STEP 1**

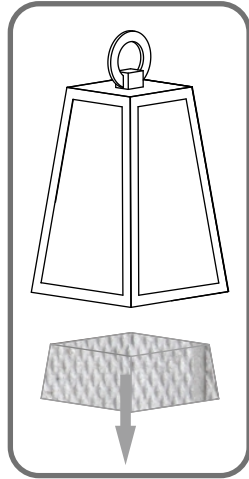
1

Remove cage



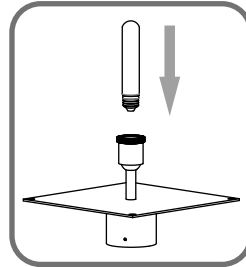
2

Remove styrofoam



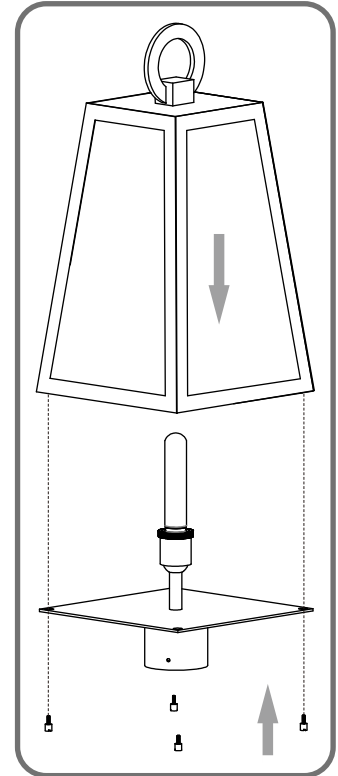
3

Install bulb



4

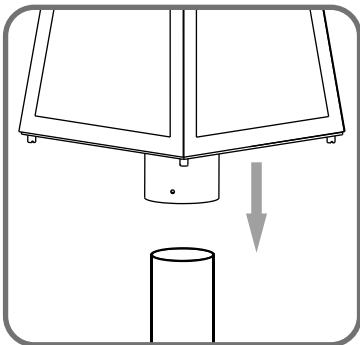
Install cage



**STEP 2**

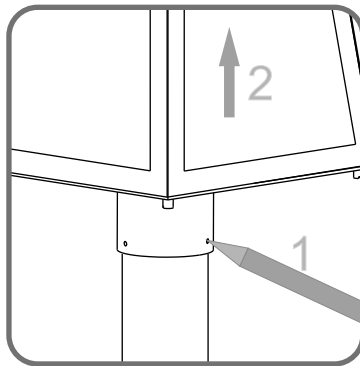
1

Step 1  
Place Post Fitter to Post

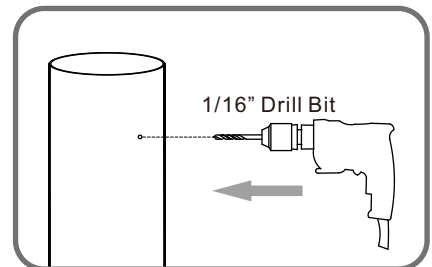
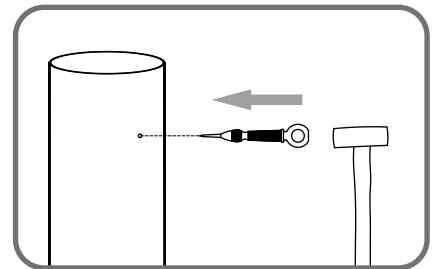


2

Step 2-3  
Mark Mounting Holes Location on Post



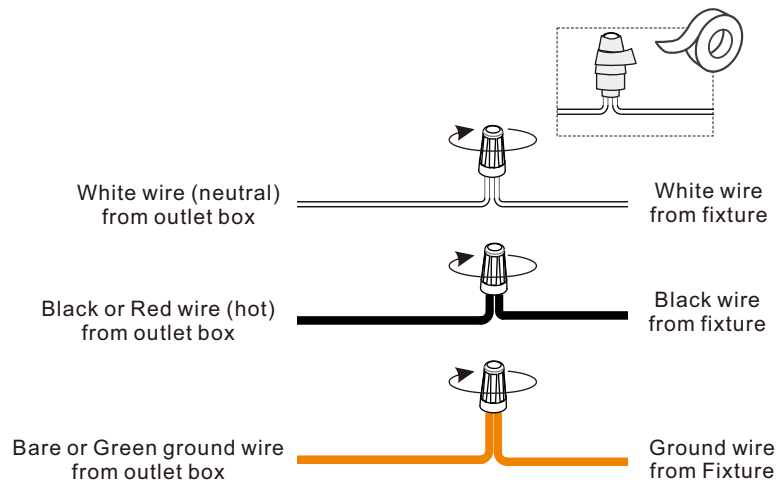
3



Step 4  
Drill Holes

4

### STEP 3



### STEP 4

