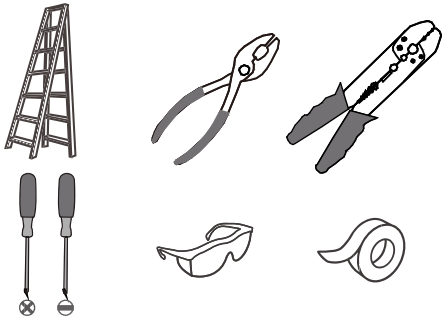
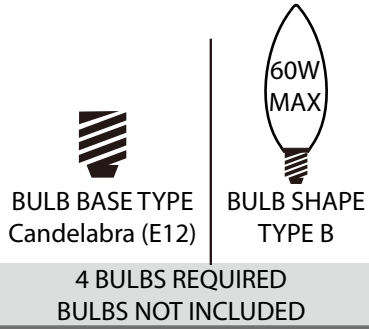


Tools Required



Light Source



⚠ Warnings and Cautions

Turn off the electricity at the circuit breaker before installation. Consult a licensed electrician if in doubt about installation.

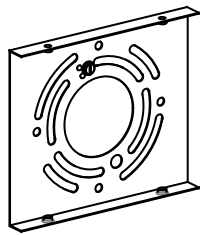
Turn off power to the fixture and allow the bulbs to cool before replacing.

Package Contents

Preparation: Identify and inspect all parts before beginning the installation.

Missing or damaged parts? Contact your original place of purchase.

PARTS BAG



- A** Inner Backplate x 1
- B** Mounting Screw x 4
- C** Outlet Box Screw x 2
- D** Wire Connector x 3

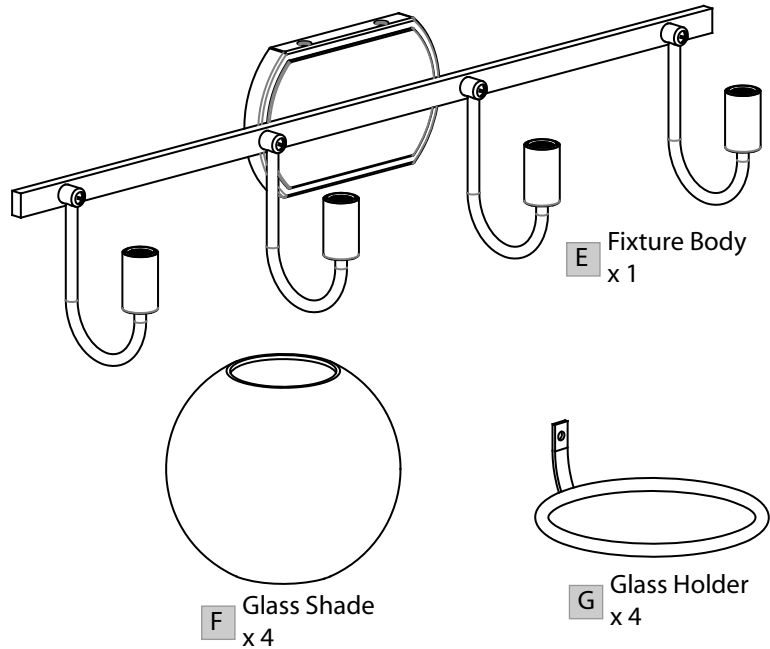
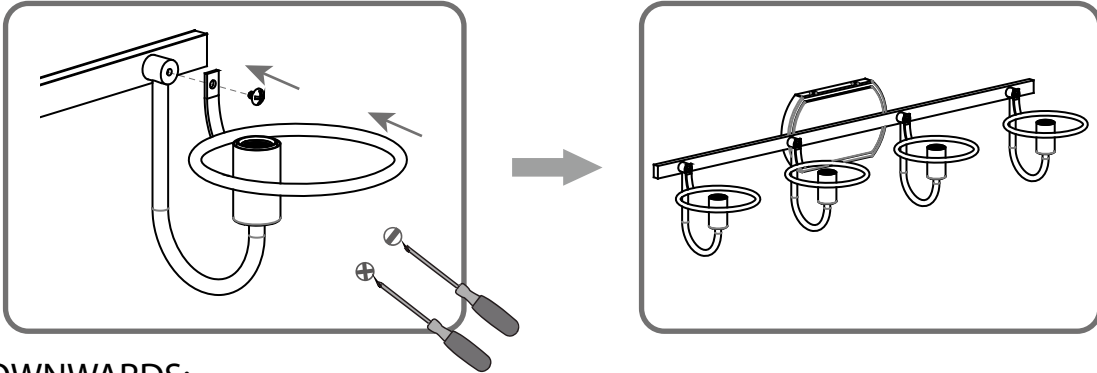


Table of Contents

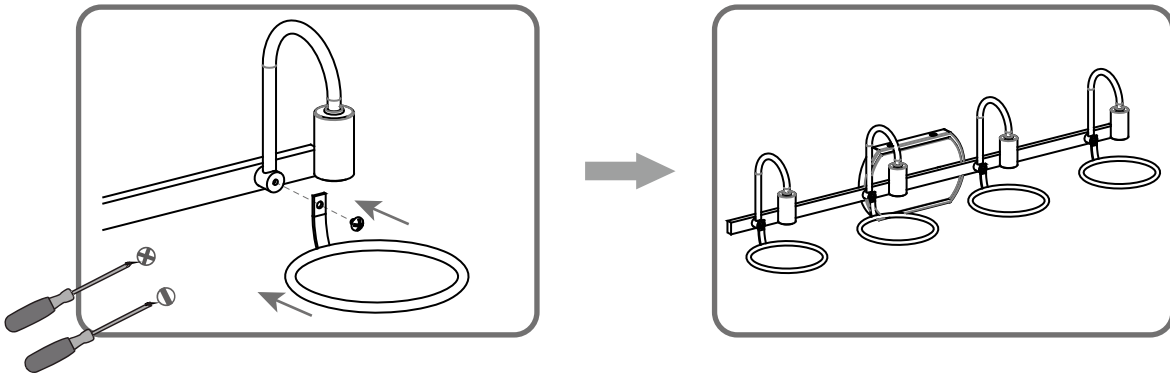
Glass Holder	Inner Backplate	Wiring	Fixture Body	Glass Shade & Bulb
STEP 1	STEP 2	STEP 3	STEP 4	STEP 5

STEP 1

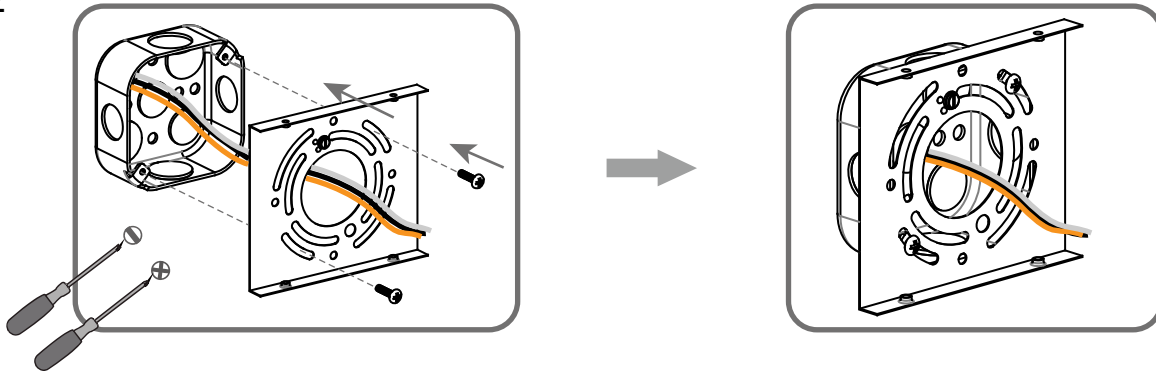
OPTION A - UPWARD:



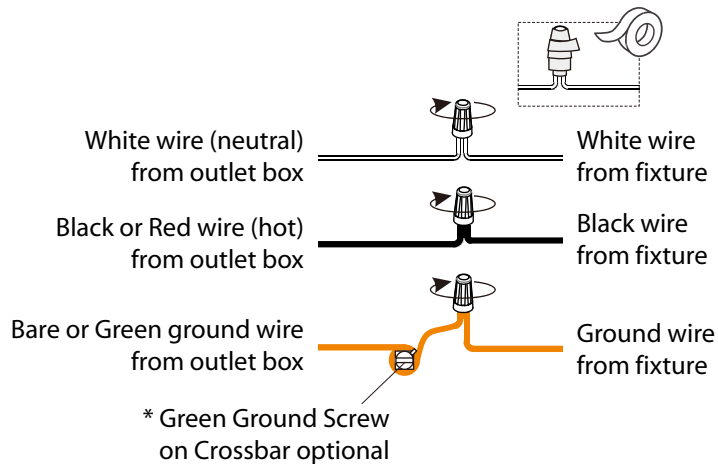
OPTION B - DOWNWARDS:



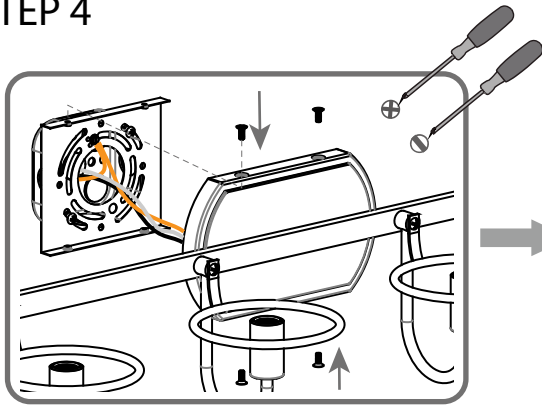
STEP 2



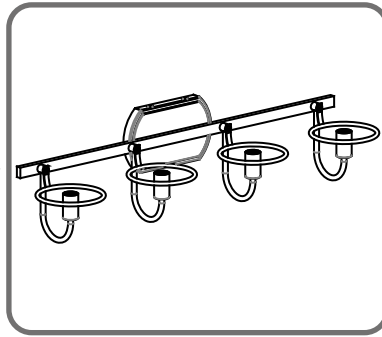
STEP 3



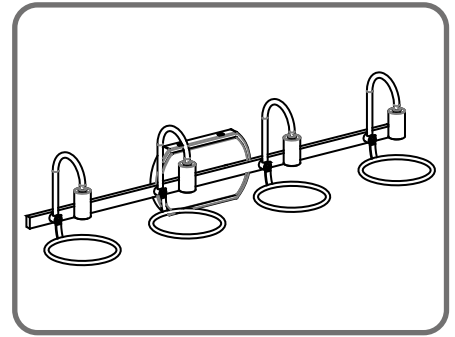
STEP 4



UPWARD

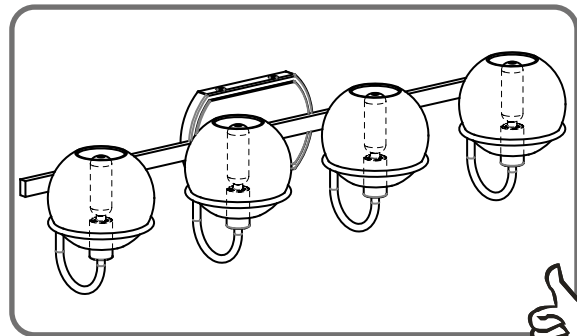
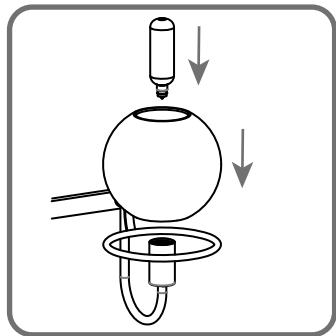


DOWNWARDS



STEP 5

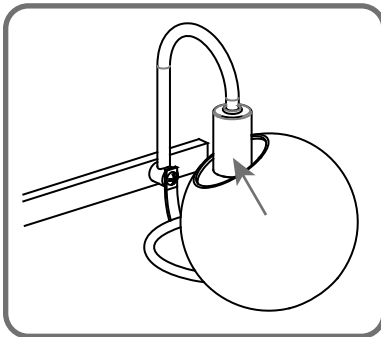
OPTION A - UPWARD:



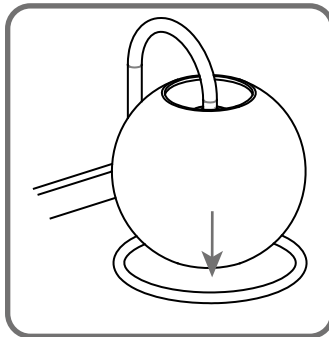
OPTION B - DOWNWARDS:

1

Step 1 - step 2: Install glass shade



2



3

Install bulb

