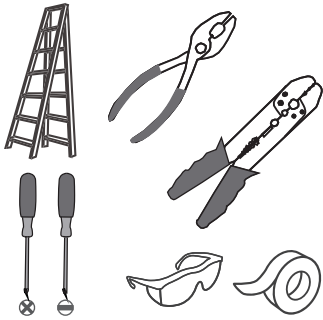


Tools Required



Light Source

17W
LED

⚠ Warnings and Cautions

Turn off the electricity at the circuit breaker before installation. Consult a licensed electrician if in doubt about installation.

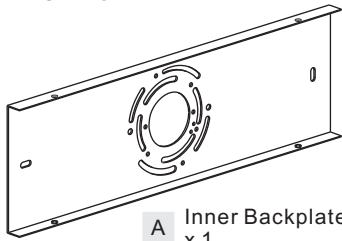
Turn off power to the fixture and allow the bulbs to cool before replacing.

Package Contents

Preparation: Identify and inspect all parts before beginning the installation.

Missing or damaged parts? Contact your original place of purchase.

PARTS BAG



A Inner Backplate
x 1

B Mounting Screw
x 4

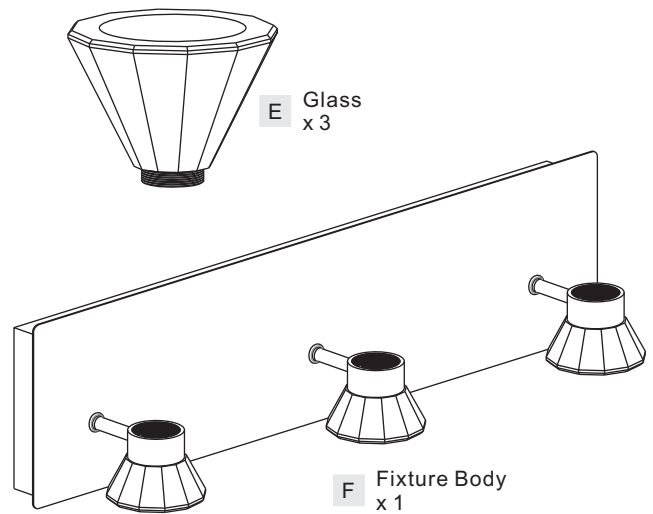
C Wall Anchor
x 2

D Flat Washer
x 2

E Screw
x 2

F Outlet Box Screw
x 2

G Wire Connector
x 3



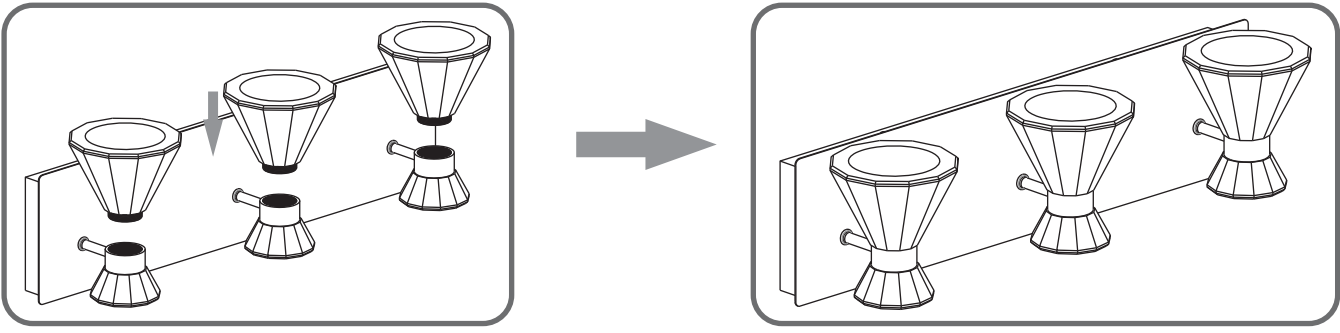
E Glass
x 3

F Fixture Body
x 1

Table of Contents

Glass & Fixture Body	Inner Backplate	Lanyard	Wiring	Fixture Body
STEP 1	STEP 2	STEP 3	STEP 4	STEP 5

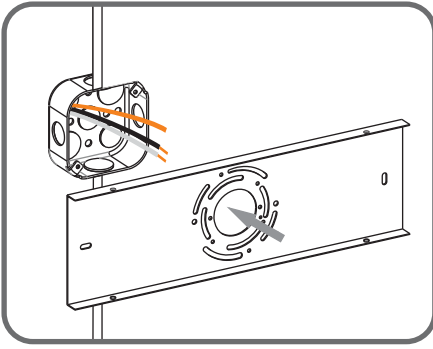
STEP 1



STEP 2

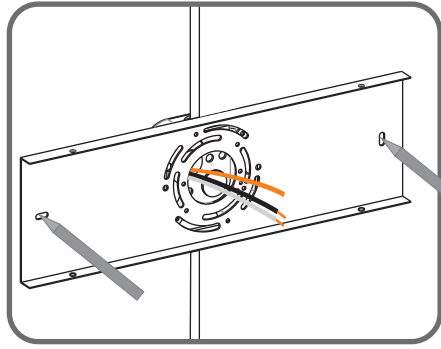
1

Fit inner backplate to outlet box



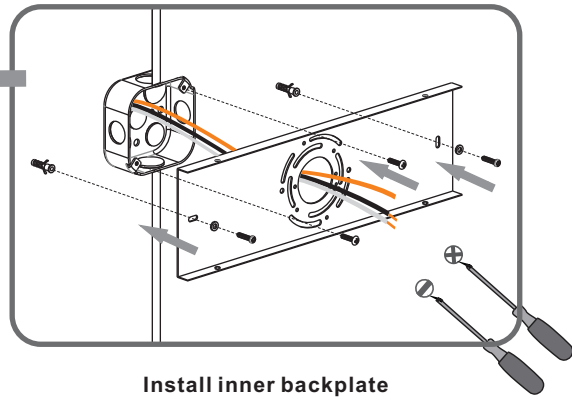
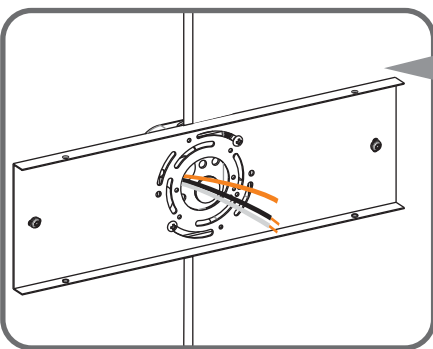
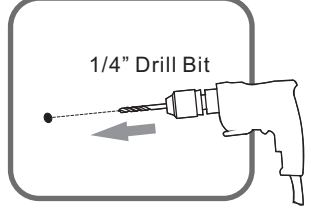
2

Mark anchor holes location on the ceiling

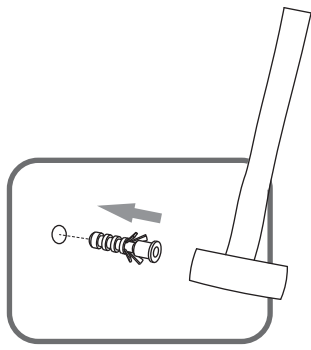


3

Drill holes for anchors from marks



Install inner backplate

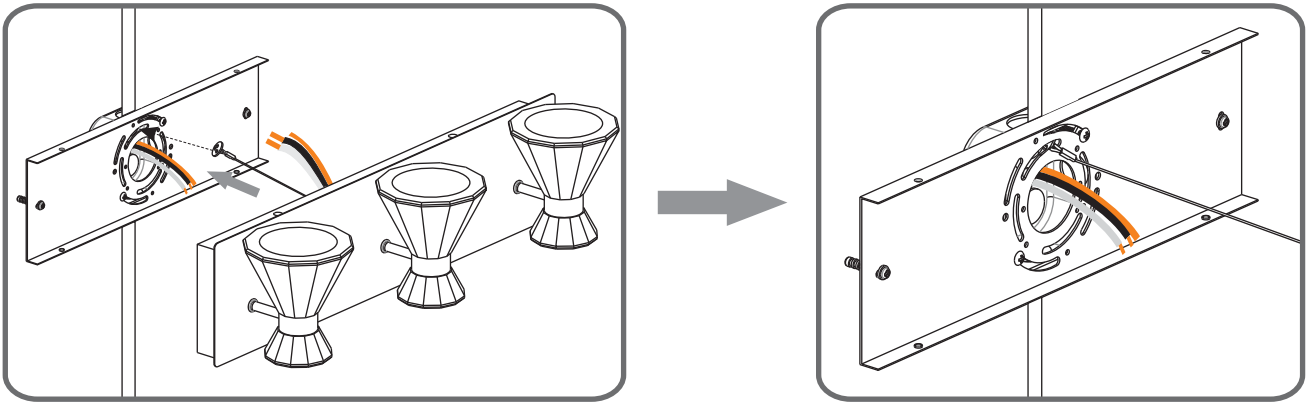


Install wall anchors

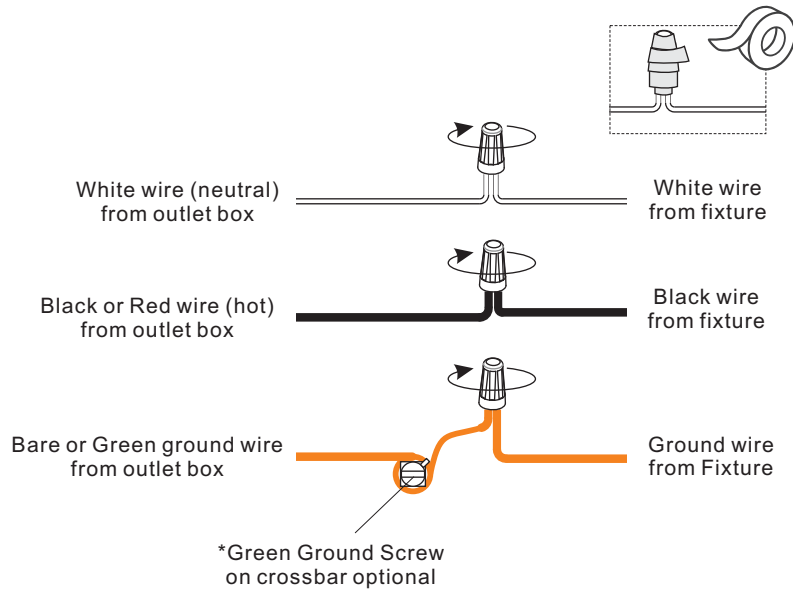
5

4

STEP 3



STEP 4



STEP 5

