

SAFETY INFORMATION

Please read and understand this entire manual before attempting to assemble, install or operate the product.

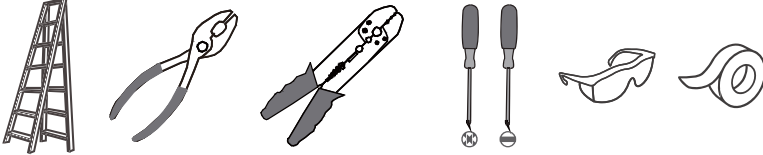
WARNING

- RISK OF ELECTRIC SHOCK - Before beginning installation, turn off electricity at the circuit breaker box or the main fuse box.

CAUTION

- For your safety, read instructions completely before beginning installation.
- If in doubt about electrical installation, consult a licensed electrician.

TOOLS REQUIRED



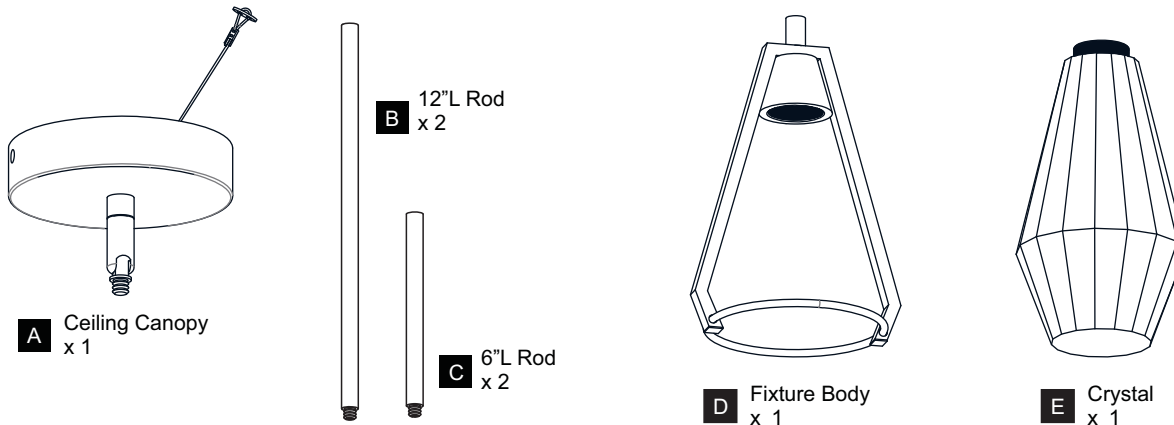
Ratings	120Vac, 60Hz	
	Model No.	Wattage
	PCLUA1507BRG	8W
	PCLUA1507MBK	8W

CARE AND MAINTENANCE

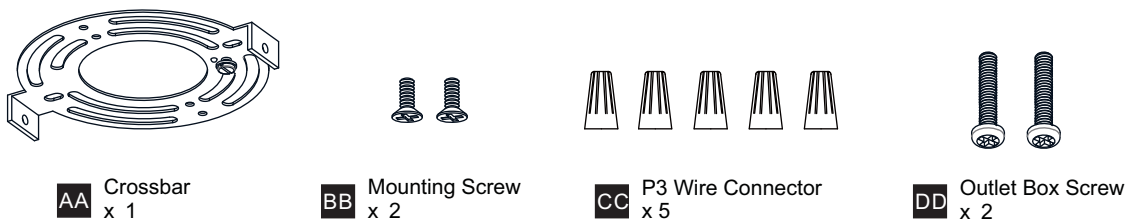
- Wipe clean using soft, dry cloth or static duster. Always avoid using harsh chemicals and abrasives to clean fixture as they may damage the finish.

If you need further assistance call Quozel Customer Care at 1-800-645-3184 (9:00am - 5:00pm EST), or visit us on-line at www.quezel.com.

PACKAGE CONTENTS

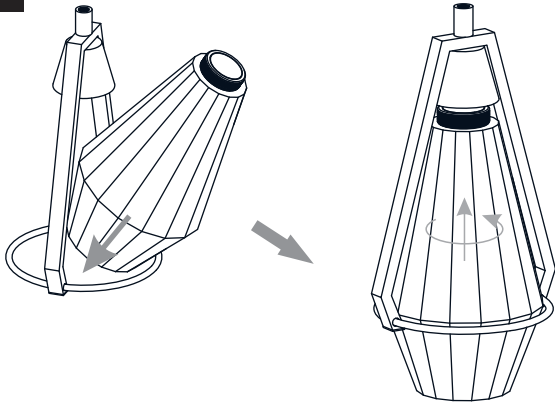


MOUNTING HARDWARE



INSTALLATION

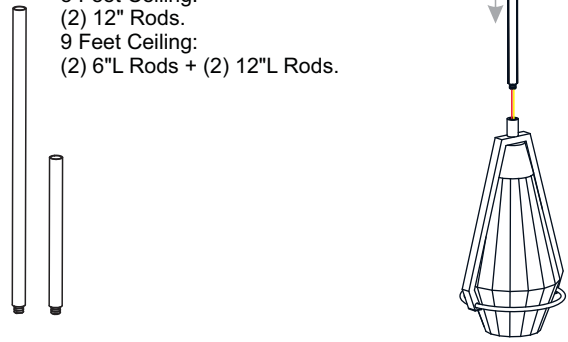
1 Install Crystal



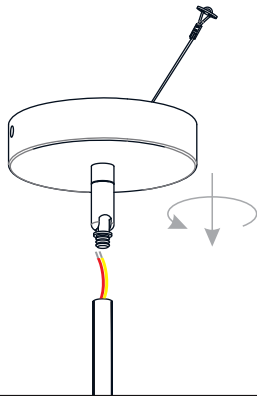
2 Install Rods

Optional Rods:

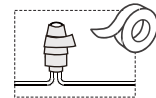
8 Feet Ceiling:
(2) 12" Rods.
9 Feet Ceiling:
(2) 6"L Rods + (2) 12"L Rods.



3 Install Ceiling Canopy to Upper Rod



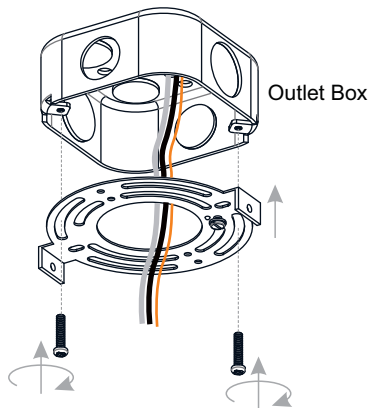
4 Connect Fixture Wires to Driver



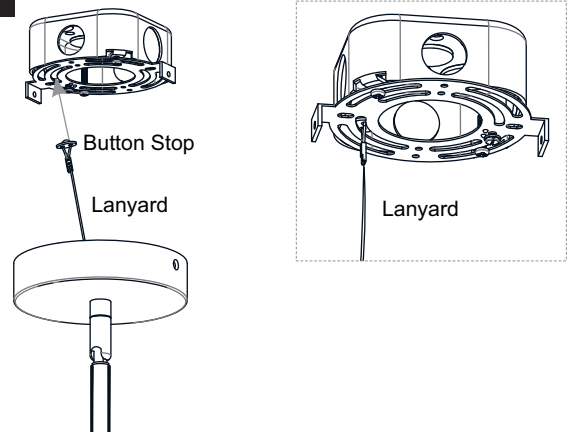
Red wire from driver identified with label "LED +" Red wire from fixture identified with label "LED +"

Yellow wire from driver identified with label "LED -" Yellow wire from fixture identified with label "LED -"

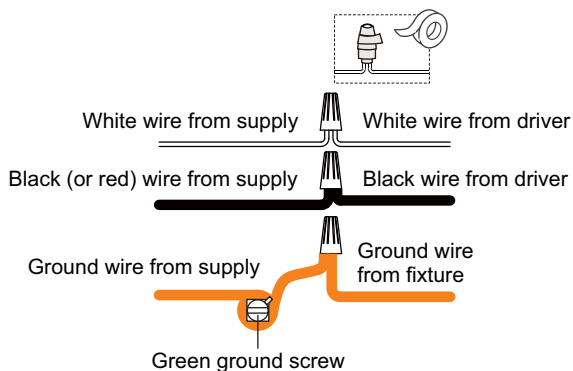
5 Install Crossbar



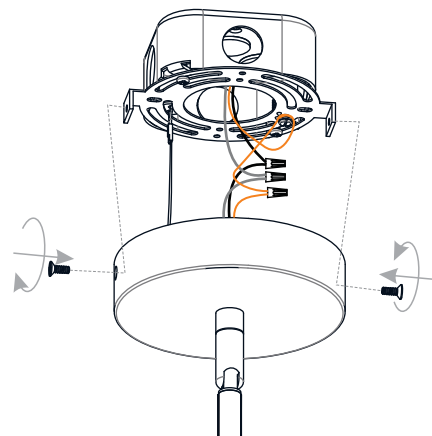
6 Install Lanyard



7 Connect Supply Wires to Driver



8 Install Ceiling Canopy to Crossbar



Your installation is now complete! Restore electricity and save this sheet for future reference.