

SAFETY INFORMATION

Please read and understand this entire manual before attempting to assemble, install or operate the product.

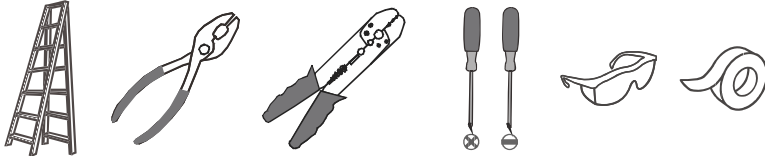
WARNING

- RISK OF ELECTRIC SHOCK - Before beginning installation, turn off electricity at the circuit breaker box or the main fuse box.

CAUTION

- For your safety, read instructions completely before beginning installation.
- If in doubt about electrical installation, consult a licensed electrician.

TOOLS REQUIRED



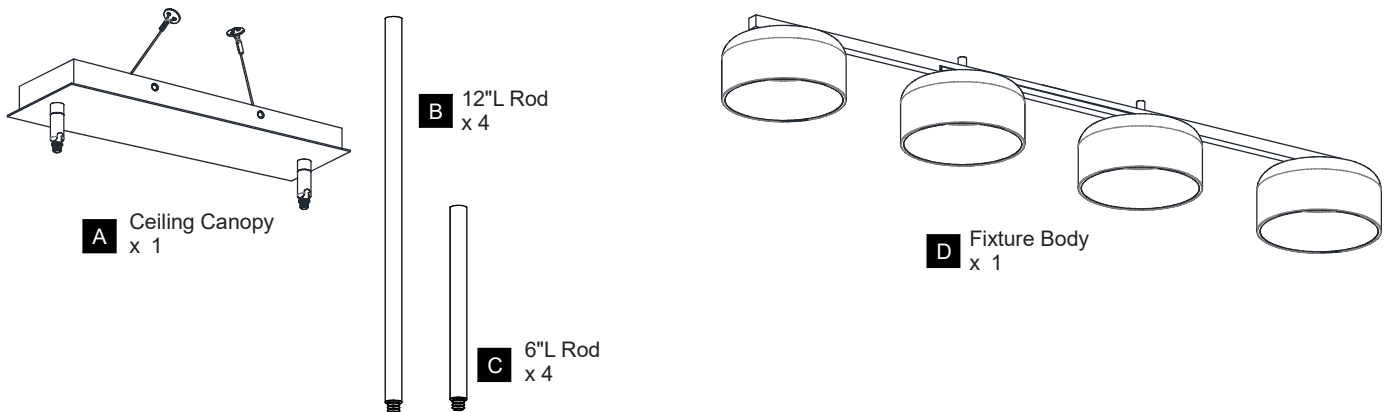
Ratings	120Vac, 60Hz	
	Model No.	Wattage
	PCGAB449MBK	33W

CARE AND MAINTENANCE

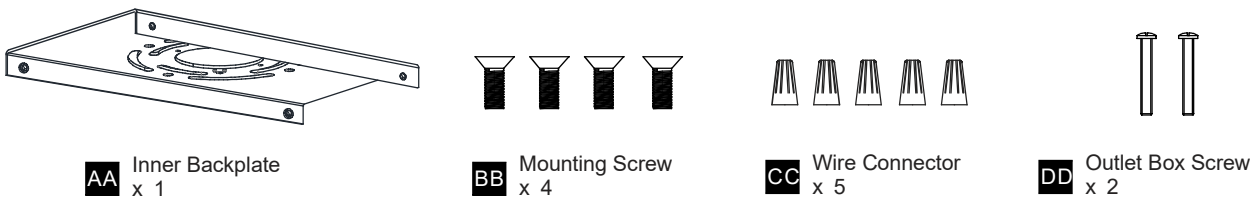
- Wipe clean using soft, dry cloth or static duster. Always avoid using harsh chemicals and abrasives to clean fixture as they may damage the finish.

If you need further assistance call Quozel Customer Care at 1-800-645-3184 (9:00am - 5:00pm EST), or visit us on-line at www.quezel.com.

PACKAGE CONTENTS



MOUNTING HARDWARE



INSTALLATION

1 Install Rods

Optional Rods:

8 Feet Ceiling:
(2) 12"L Rods each side.

9 Feet Ceiling:
(2) 6"L Rods + (2) 12"L Rods each side.

2 Separate Swivels from Ceiling Canopy

3 Install Swivels and Ceiling Canopy to Upper Rods

Swivel

90Degree

For angled ceilings, Swivels opening towards wall.

* Make sure two swivels opening are in the same direction while assembling.

4 Wiring to Driver Output

Black wire from driver output identified with the label "LED -"

Black from fixture identified with the label "LED -"

Red wire from driver output identified with the label "LED +"

Red from fixture identified with the label "LED +"

5 Install Inner Backplate

Outlet Box

6 Install Lanyards

Button Stop

Lanyard

Lanyard

7 Wiring to Driver Input

White wire from supply

White from driver

Black (or red) wire from supply

Black from driver

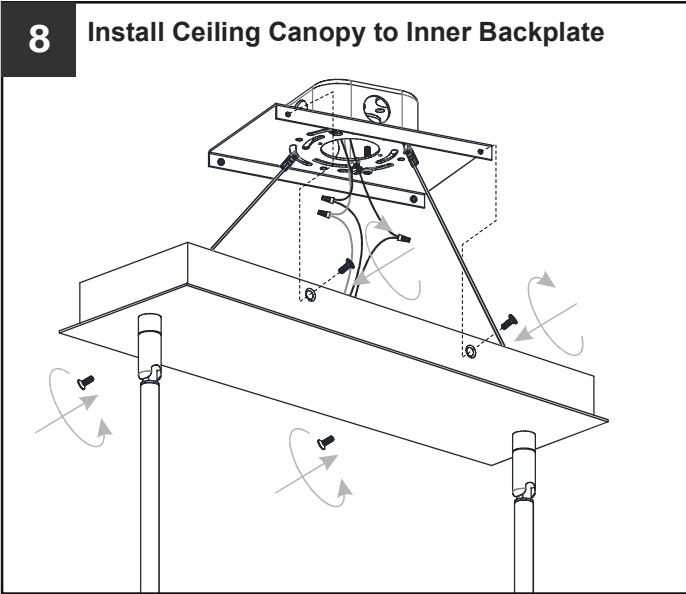
Ground wire from supply

Ground wire from fixture

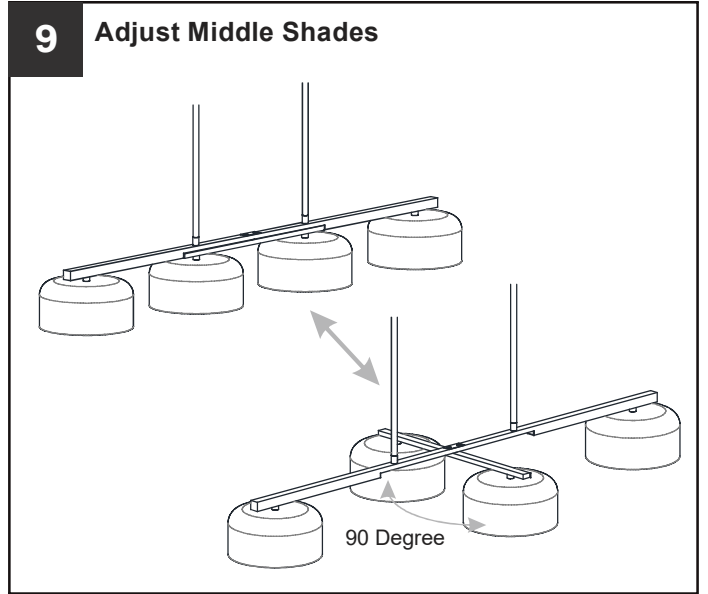
Green ground screw

INSTALLATION

8 Install Ceiling Canopy to Inner Backplate

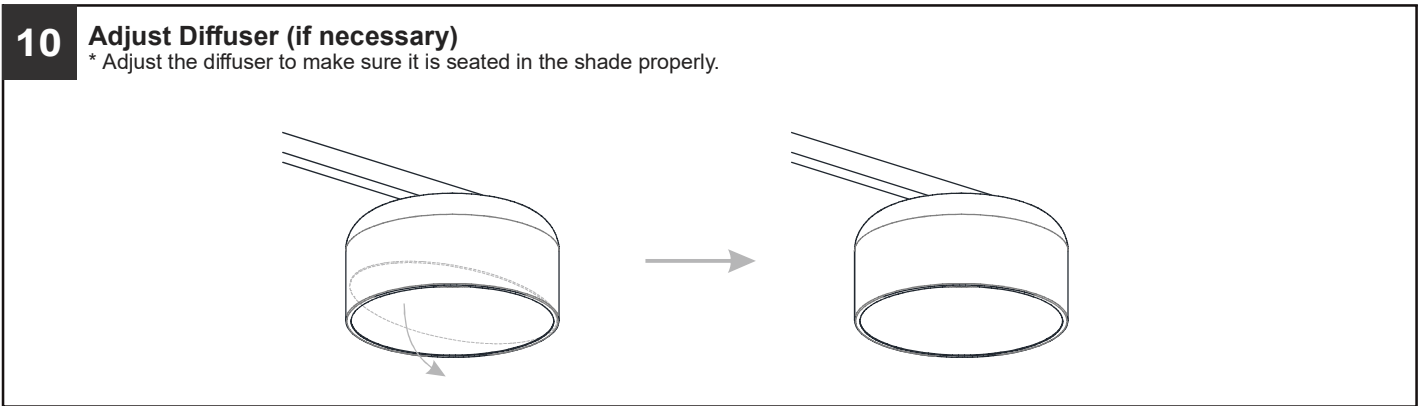


9 Adjust Middle Shades



10 Adjust Diffuser (if necessary)

* Adjust the diffuser to make sure it is seated in the shade properly.



Your installation is now complete! Restore electricity and save this sheet for future reference.