

Please go to www.quirzel.com for product cleaning tips. Go to the **Care + Maintenance** selection.

Tools Required: Flathead screwdriver, Phillips screwdriver, pliers, wire cutters, wire strippers, electrical tape, safety glasses.

Light Source: LED21W

Estimated Assembly Time: 30-45 minutes

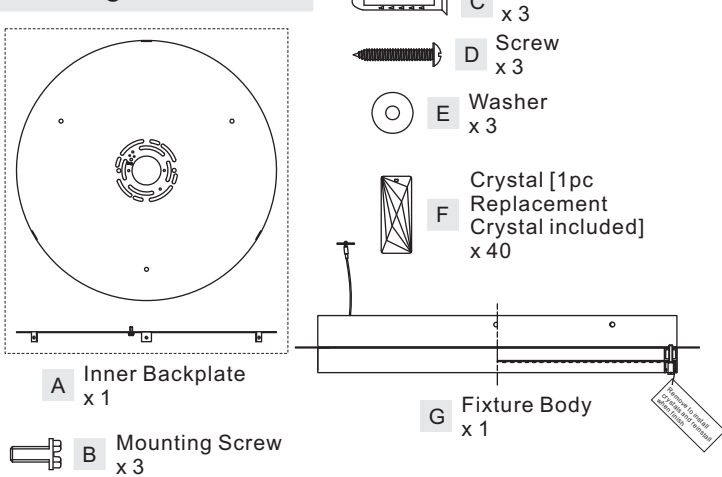
Preparation: Identify and inspect all parts before beginning installation. Check package content list and diagrams below to be sure all parts are present. If any parts are missing or damaged, do not attempt to assemble, install, or operate the fixture. Contact your original place of purchase.

⚠ Warnings and Cautions

Turn off electricity at circuit breaker or main fuse box before installation. Consult a licensed electrician if in doubt.

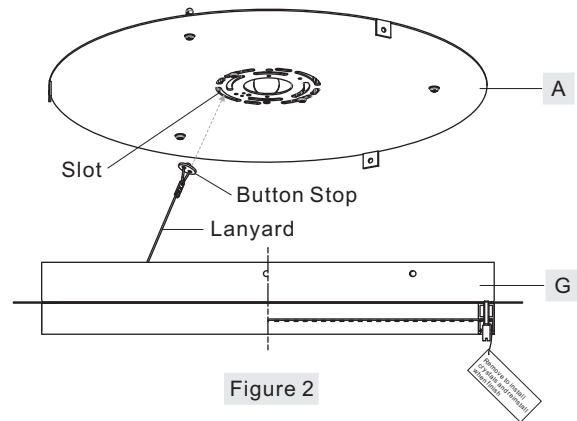
These instructions are provided for your safety. It is very important you read them completely before installing the fixture. We strongly recommend that a licensed, professional electrician perform the installation.

Package Contents



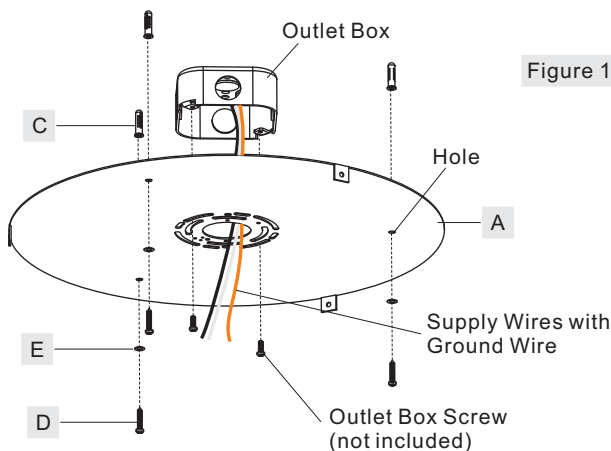
STEP 2 - Attach the Lanyard

- The purpose of the lanyard is to provide a means to support the fixture hands free from the junction box while connecting the electrical wires.
- Turn the Button Stop so it may be inserted into a inner backplate slot. Make sure the Button Stop is completely inside the inner backplate. Slowly release the fixture to make sure it is supported by the Button Stop. Proceed to the wiring steps in the next step. Once you are complete with the wiring, the Lanyard will push into the junction box when the fixture is placed for final mounting.



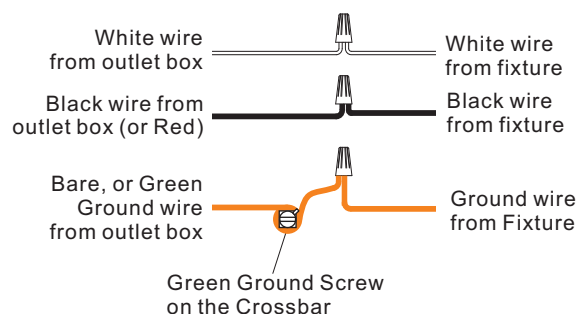
STEP 1 - Attach Inner Backplate to Outlet Box

- Attach the Inner Backplate (A) onto the outlet box and make three marks on the ceiling from holes.
- Remove the Inner Backplate (A). Using a 1/4" drill bit, drill holes at each (3) locations marked on the ceiling.
- Insert Wall Anchors (C) into drilled holes completely.
- Pass supply wires and ground wire through the center hole of the Inner Backplate (A). Attach the Inner Backplate (A) to outlet box. Thread outlet box screws (not included) into mounting holes on the outlet box. Pass Washers (E) over Screws (D) and thread Screws (D) into Wall Anchors (C). Hand tighten until snug with screwdrivers.



STEP 3 - Wire Connections

- Wrap bare or green ground wire around green ground screw on the crossbar, no less than 2 inches from the end of the wire. Tighten the green ground screw.
- Use standard wire connectors (not included) to make all wire connections. Twist connectors until wires are tightly joined together. Wrap each connection with approved electrical tape and carefully stuff all the connected wires into the Outlet Box.



STEP 4 – Attach Ceiling Canopy to Inner Backplate

A. Fit excess cord and electrical wires in the ceiling canopy and Fixture Body (G) properly. Line up the holes on the side of the ceiling canopy to the mounting holes on the Inner Backplate (A). Secure them with Mounting Screws (B). Tighten until snug.

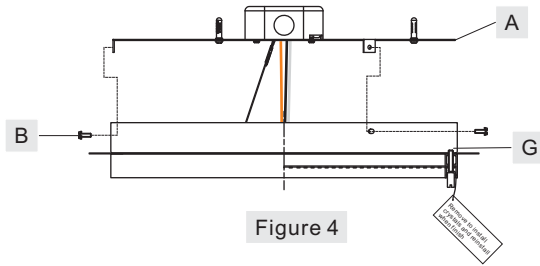


Figure 4

STEP 6 – Install Crystals

A. Remove the lock screw with hangtag from the Fixture Body (G).
 B. Place the Crystal (F) onto the Fixture Body (G) from the gap where the lock screw removed. Press the tab on the Crystal (F) into the slot on the ring and move the Crystal (F) along the ring.
 C. Install total 39 Crystals (F) onto the Fixture Body (G) one by one.
 D. Remove the hangtag from the lock screw and thread the lock screw back into the gap of the ring.

Your fixture is now assembled and ready to use. Enjoy!

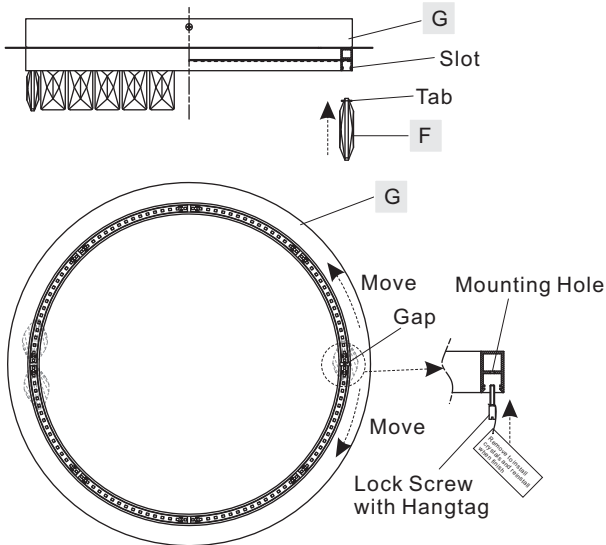
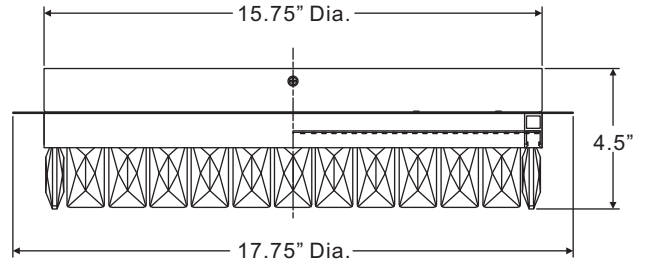
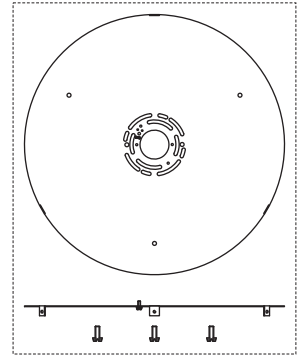


Figure 6

PCEO1618C

FINISH: POLISHED CHROME



NOTE: ALL DIMENSIONS ARE ROUNDED UP TO THE NEAREST 1/4"