

**SAFETY INFORMATION**

Please read and understand this entire manual before attempting to assemble, install or operate the product.

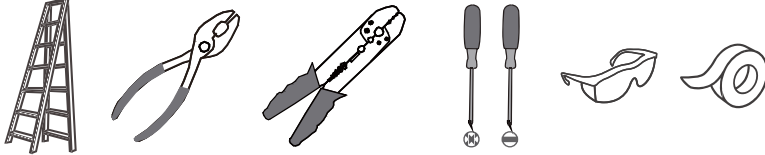
**WARNING**

- RISK OF ELECTRIC SHOCK - Before beginning installation, turn off electricity at the circuit breaker box or the main fuse box.

**CAUTION**

- For your safety, read instructions completely before beginning installation.
- If in doubt about electrical installation, consult a licensed electrician.

**TOOLS REQUIRED**



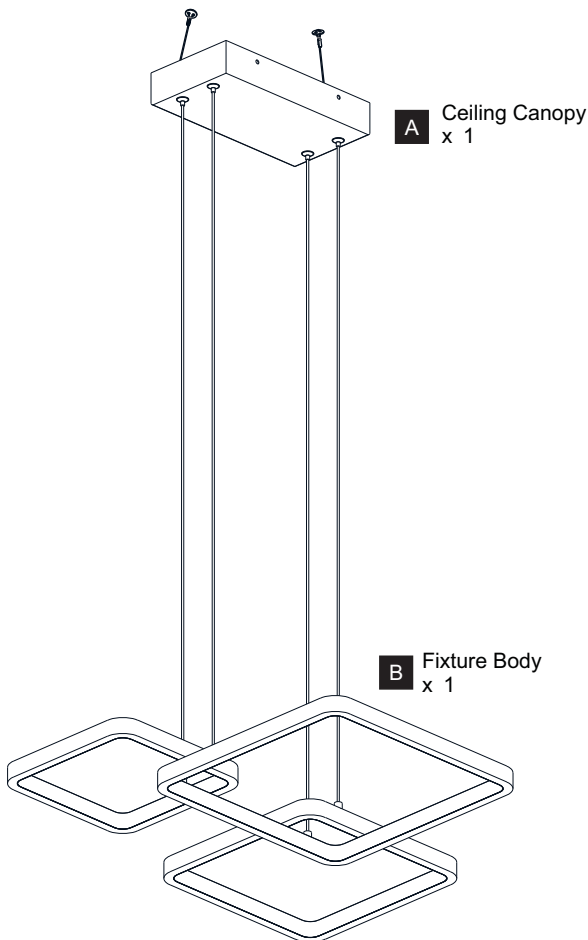
Ratings	120Vac, 60Hz	
	Model No.	Wattage
	PCELV2821MBK	36W

**CARE AND MAINTENANCE**

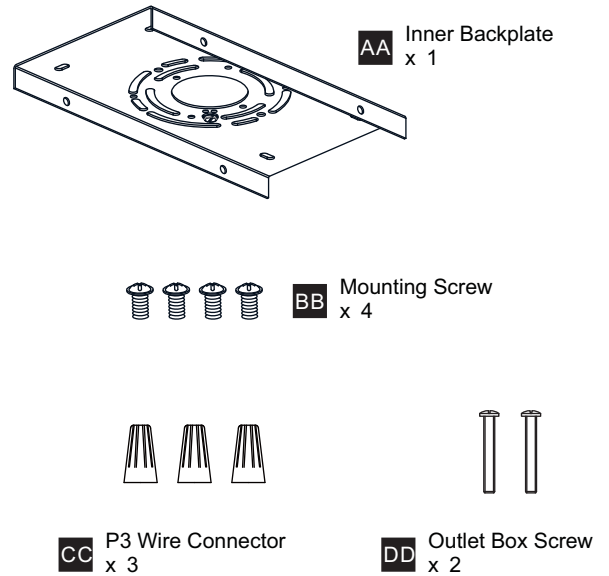
- Wipe clean using soft, dry cloth or static duster. Always avoid using harsh chemicals and abrasives to clean fixture as they may damage the finish.

If you need further assistance call Quoizel Customer Care at 1-800-645-3184 (9:00am - 5:00pm EST), or visit us on-line at [www.quoizel.com](http://www.quoizel.com).

**PACKAGE CONTENTS**



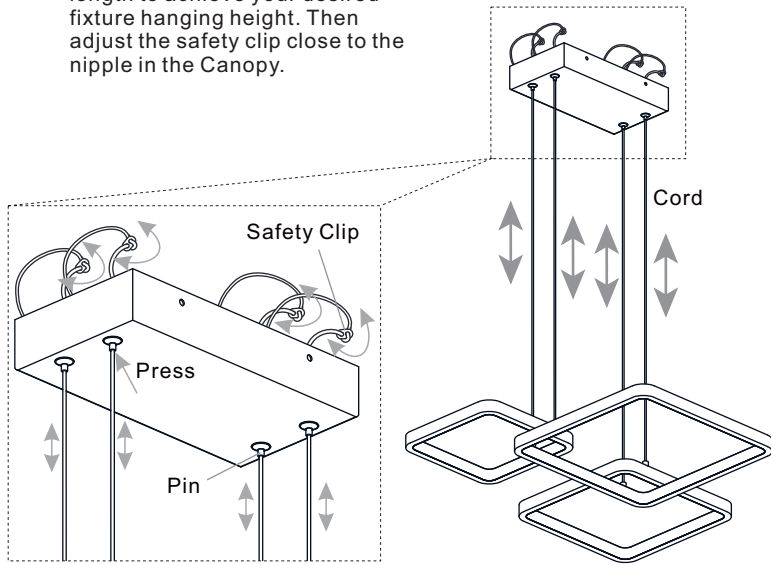
**MOUNTING HARDWARE**



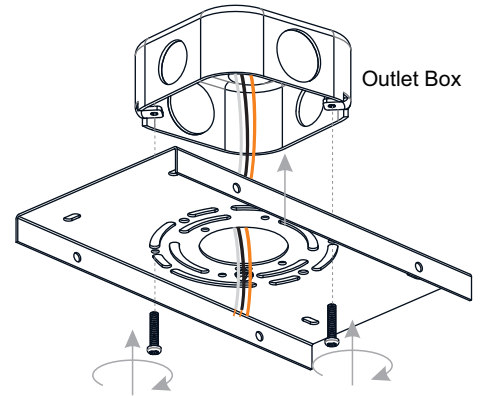
# INSTALLATION

## 1 Adjust Cord Length: Fixture Height Adjustable 7.5" to 97.5"

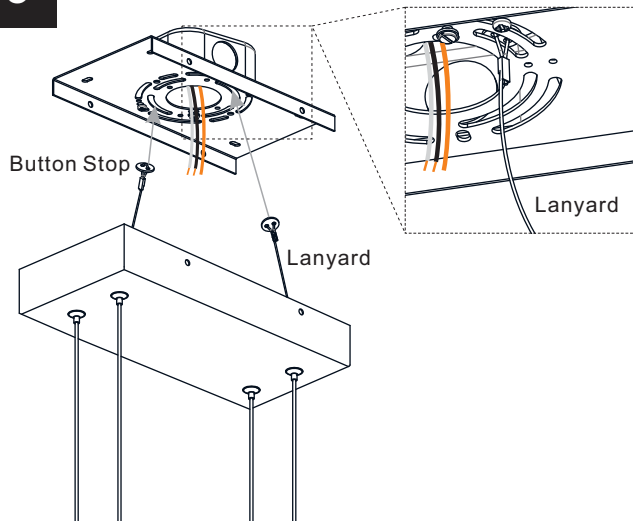
Push the pin and adjust the cord length to achieve your desired fixture hanging height. Then adjust the safety clip close to the nipple in the Canopy.



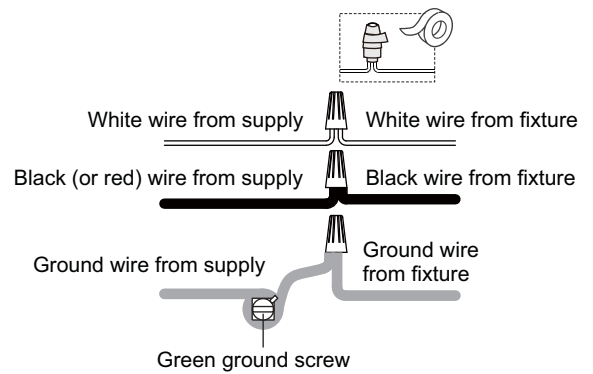
## 2 Install Inner Backplate



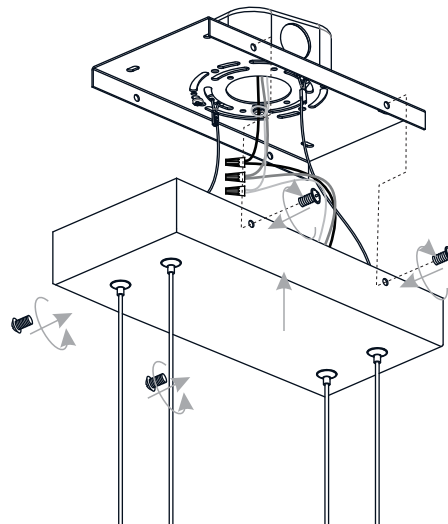
## 3 Install Lanyards



## 4 Wiring



## 5 Install Ceiling Canopy



Your installation is now complete! Restore electricity and save this sheet for future reference.