

**SAFETY INFORMATION**

Please read and understand this entire manual before attempting to assemble, install or operate the product.

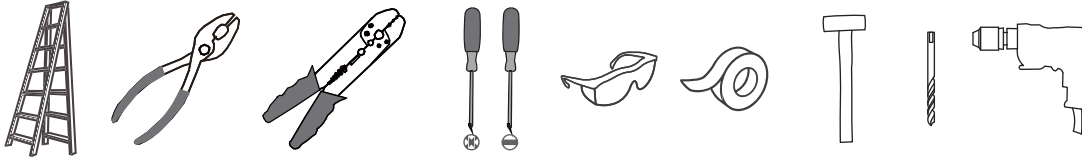
**WARNING**

- RISK OF ELECTRIC SHOCK - Before beginning installation, turn off electricity at the circuit breaker box or the main fuse box.

**CAUTION**

- For your safety, read instructions completely before beginning installation.
- If in doubt about electrical installation, consult a licensed electrician.

**TOOLS REQUIRED**



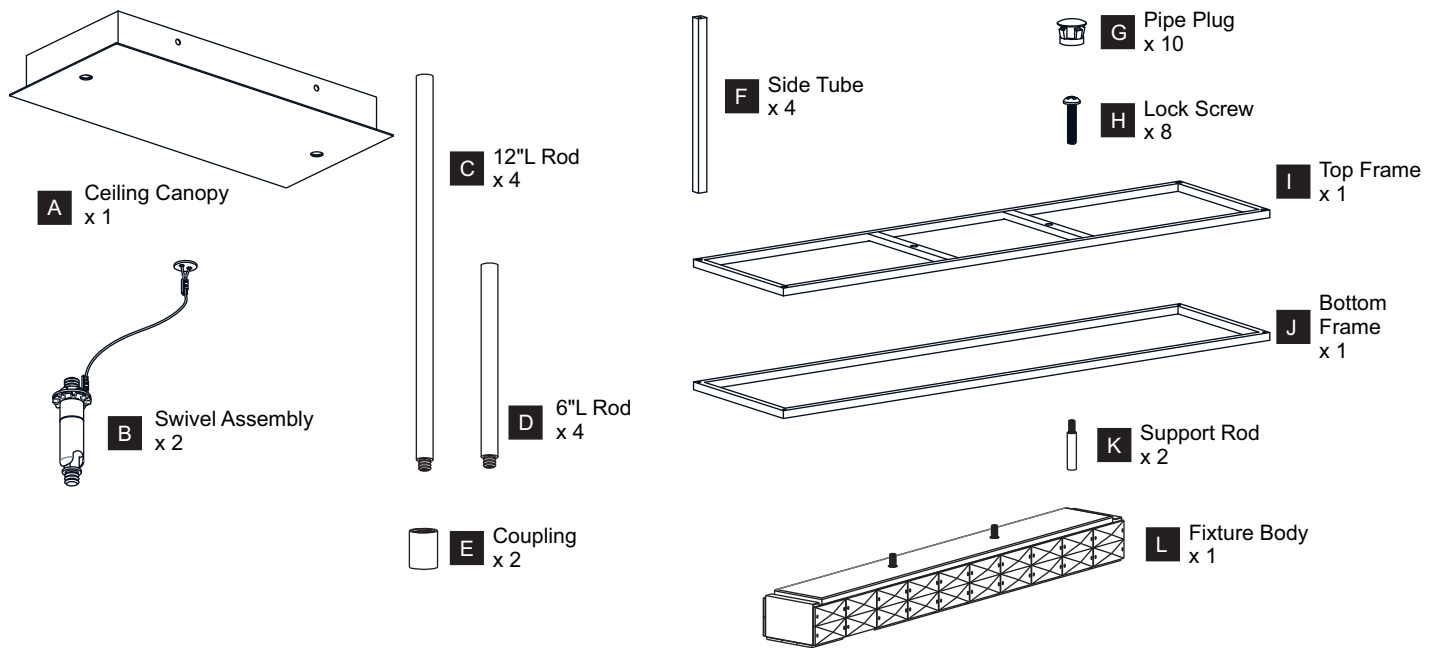
|         |              |         |
|---------|--------------|---------|
| Ratings | 120Vac, 60Hz |         |
|         | Model No.    | Wattage |
|         | PCDZ136C     | 32W     |

**CARE AND MAINTENANCE**

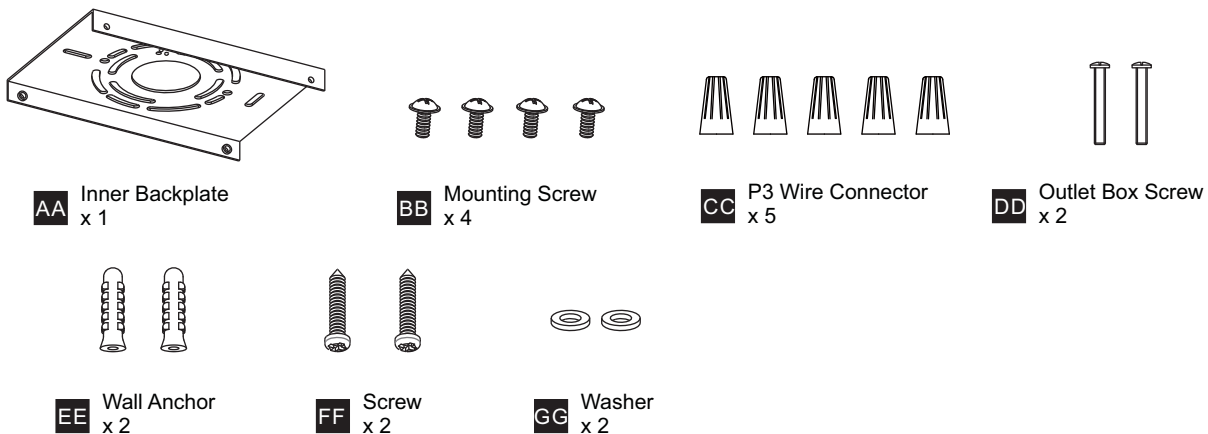
- Wipe clean using soft, dry cloth or static duster. Always avoid using harsh chemicals and abrasives to clean fixture as they may damage the finish.

If you need further assistance call Quozel Customer Care at 1-800-645-3184 (9:00am - 5:00pm EST), or visit us on-line at [www.quezel.com](http://www.quezel.com).

**PACKAGE CONTENTS**

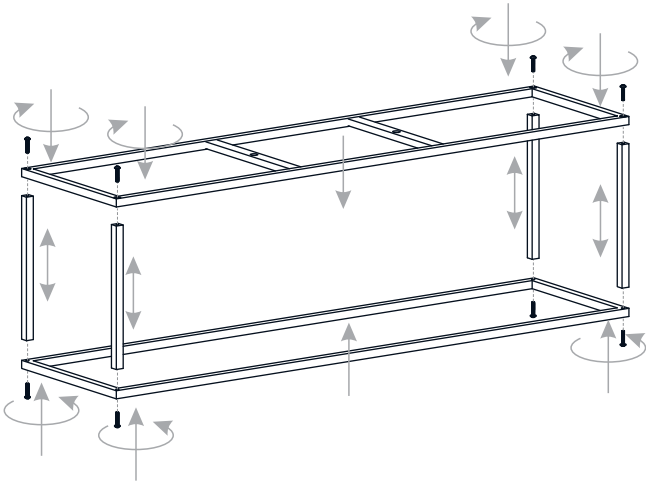


**MOUNTING HARDWARE**

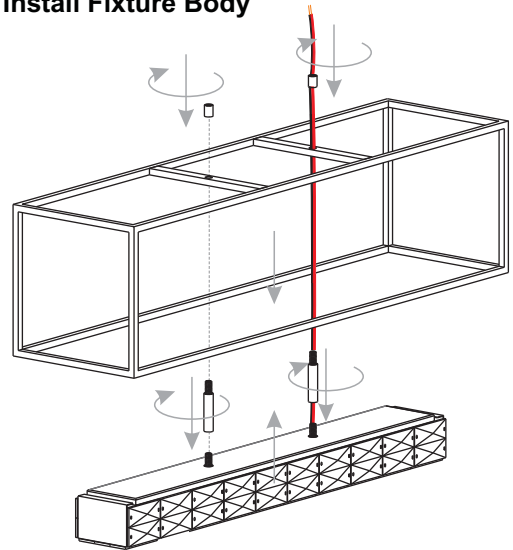


# INSTALLATION

## 1 Install Frames and Side Tubes



## 2 Install Fixture Body

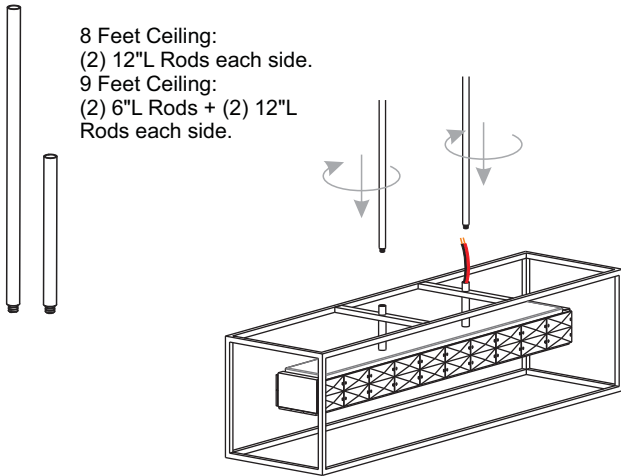


## 3 Install Rods

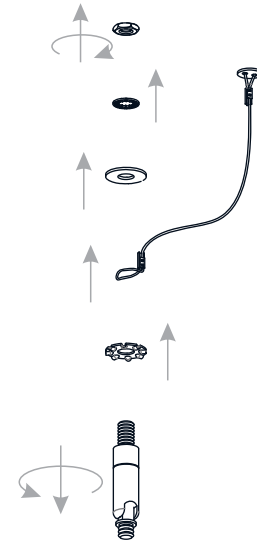
Optional Rods:

8 Feet Ceiling:  
(2) 12"L Rods each side.

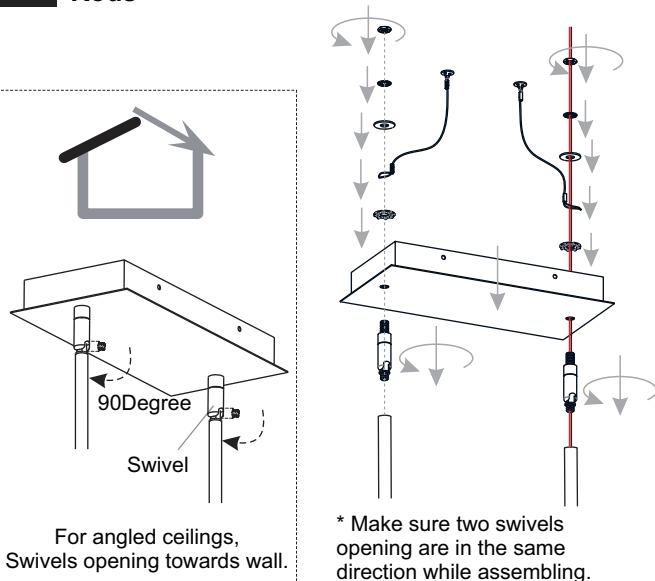
9 Feet Ceiling:  
(2) 6"L Rods + (2) 12"L  
Rods each side.



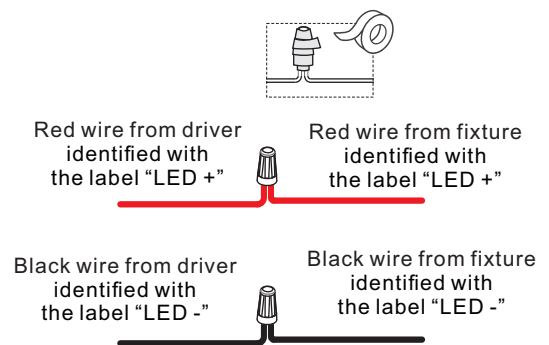
## 4 Separate Swivel Assembly



## 5 Install Swivels and Ceiling Canopy to Upper Rods

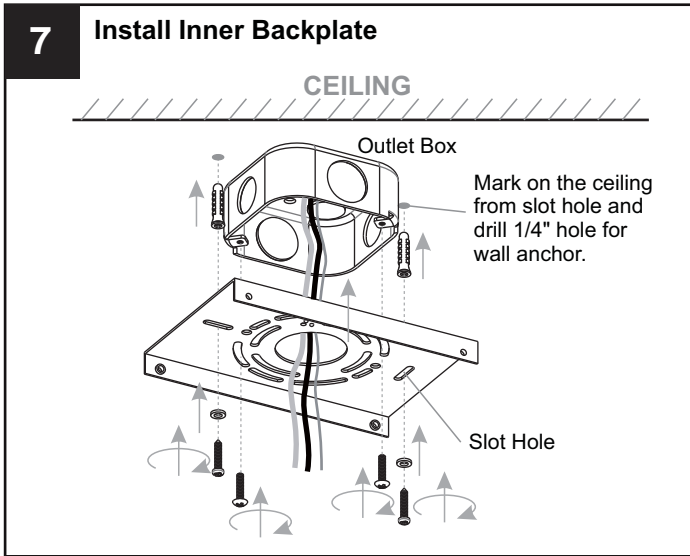


## 6 Connect Fixture Wires to Driver

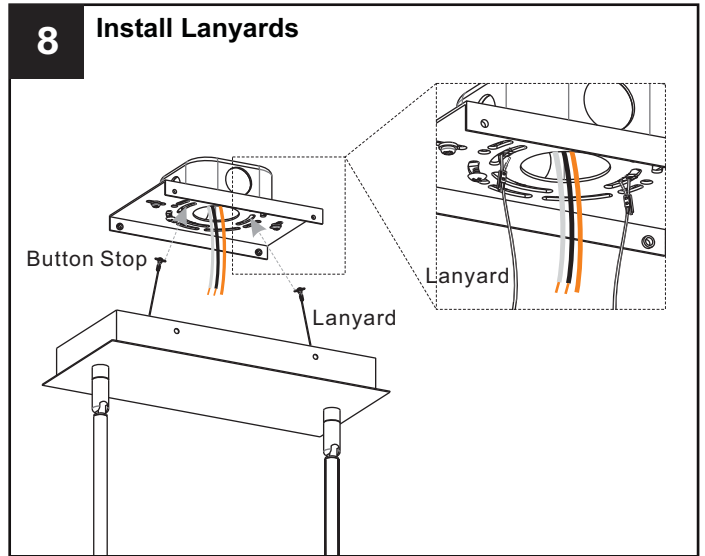


# INSTALLATION

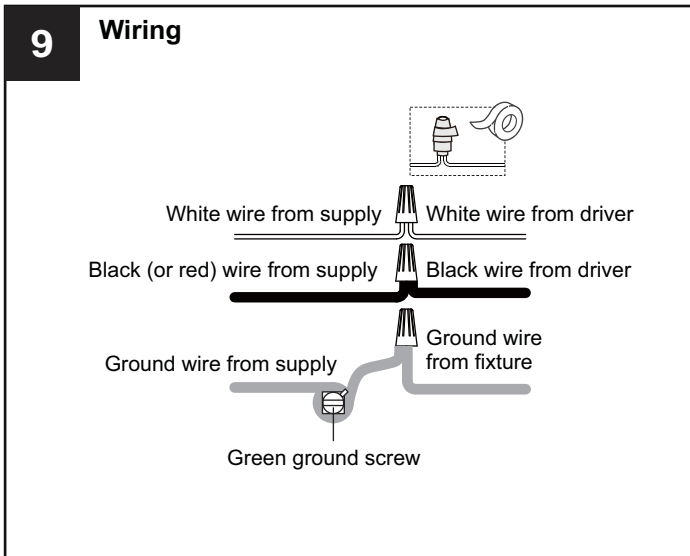
## 7 Install Inner Backplate



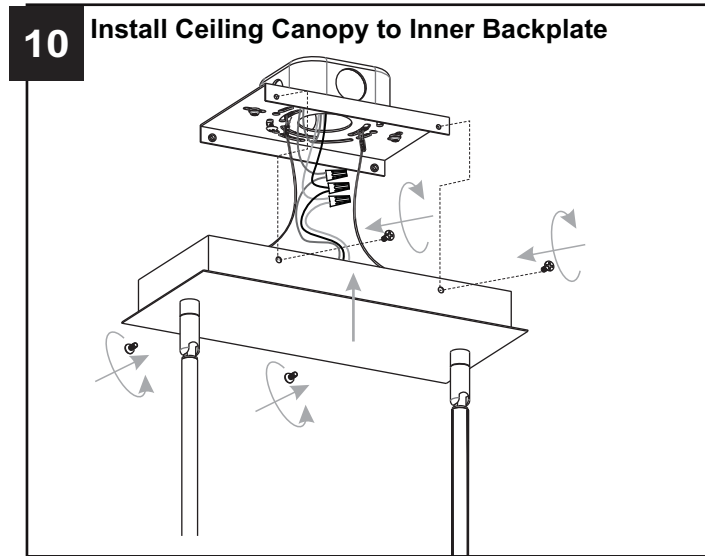
## 8 Install Lanyards



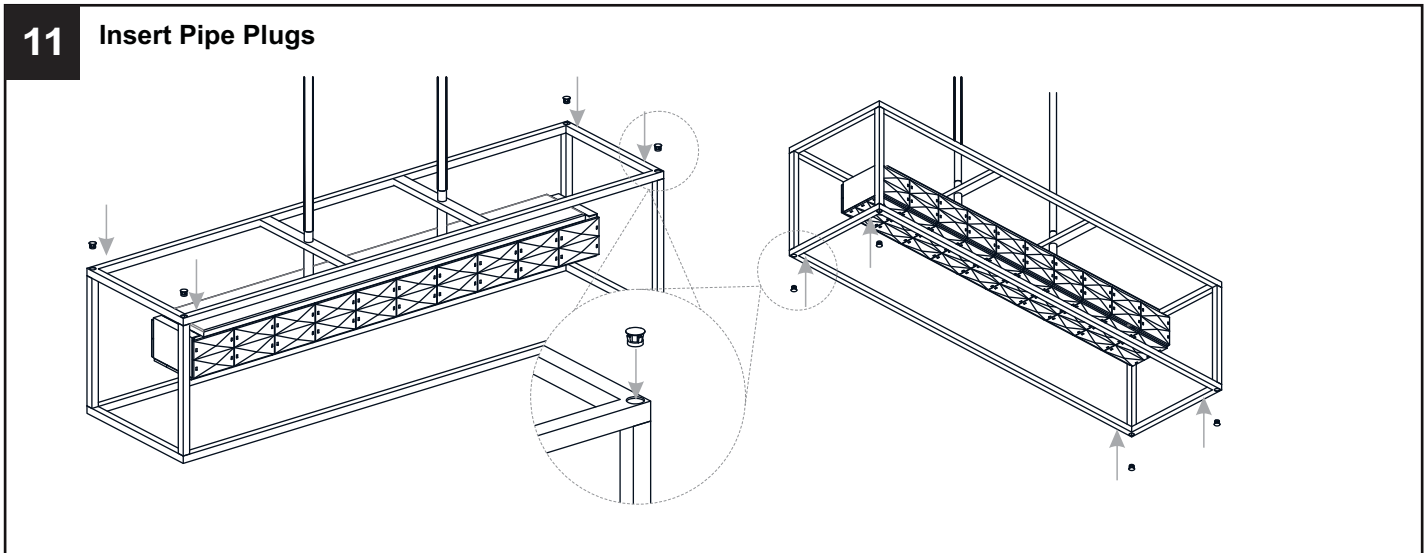
## 9 Wiring



## 10 Install Ceiling Canopy to Inner Backplate



## 11 Insert Pipe Plugs



Your installation is now complete! Restore electricity and save this sheet for future reference.