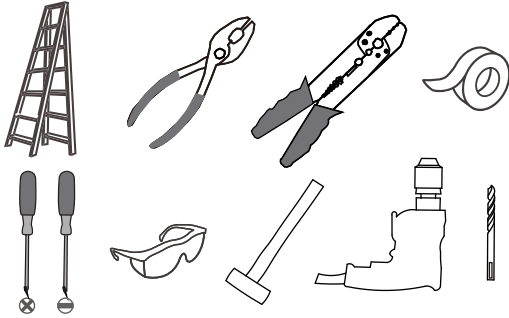


Tools Required



Light Source

32W
LED

Warnings and Cautions

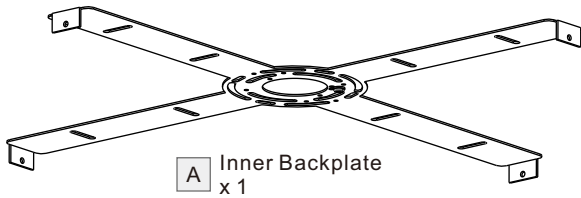
Turn off the electricity at the circuit breaker before installation. Consult a licensed electrician if in doubt about installation.

Package Contents

Preparation: Identify and inspect all parts before beginning the installation.

Missing or damaged parts? Contact your original place of purchase.

PARTS BAG



A Inner Backplate
x 1

B Wall Anchor
x 4

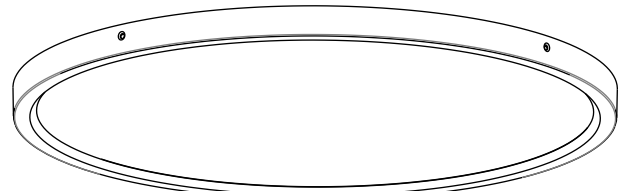
C Flat Washer
x 4

D Screw
x 4

E Mounting Screw
x 4

F Outlet Box Screw
x 2

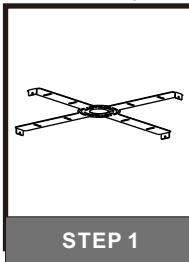
G Wire Connector
x 3



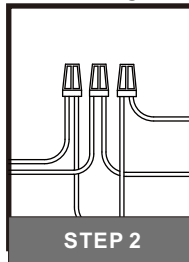
H Fixture Body
x 1

Table of Contents

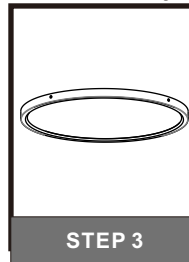
Inner Backplate



Wiring



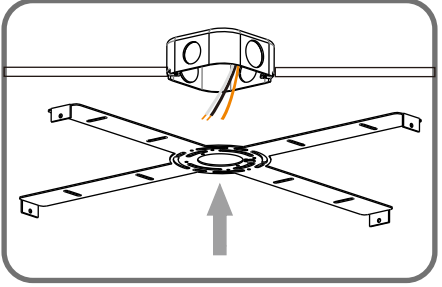
Fixture Body



STEP 1

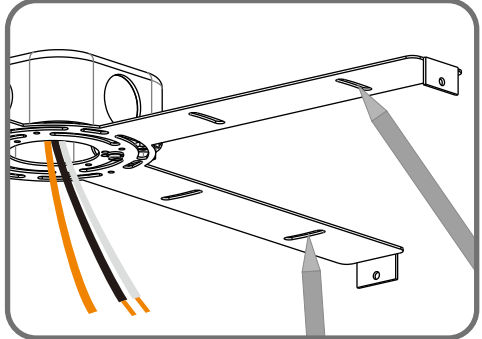
1

Fit inner backplate to outlet box



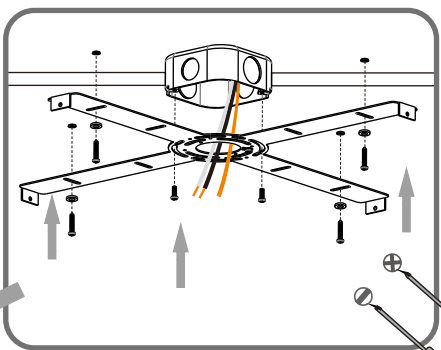
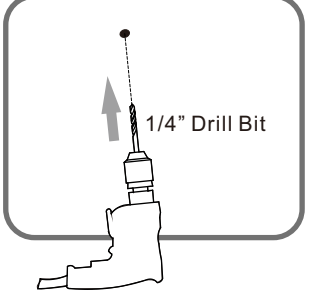
2

Mark anchor holes location on the ceiling



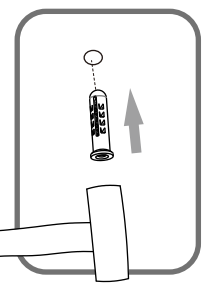
3

Drill holes for anchors from marks



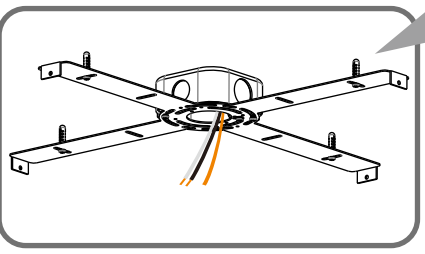
Install inner backplate

5

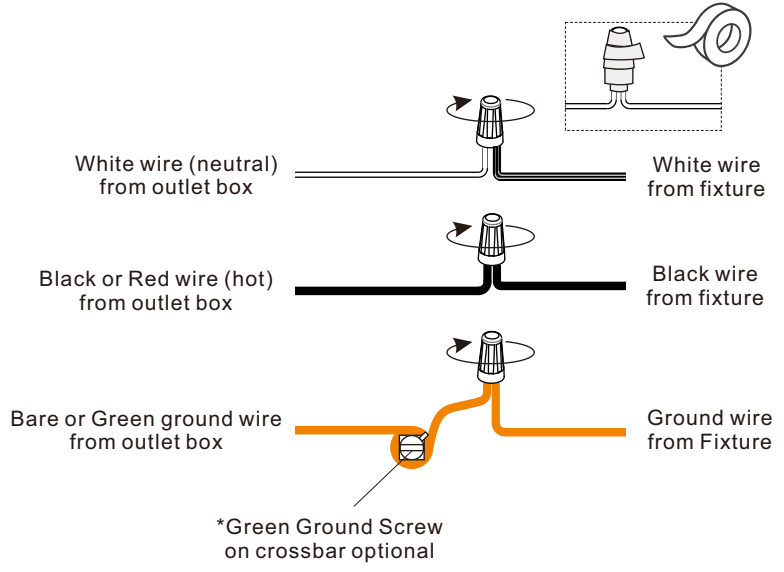


Install wall anchors

4



STEP 2



STEP 3

