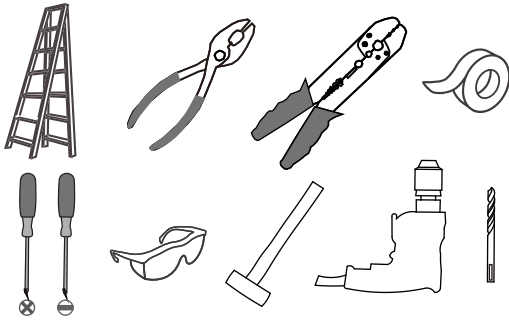


**Tools Required**



**Light Source**

**32W  
LED**

**⚠ Warnings and Cautions**

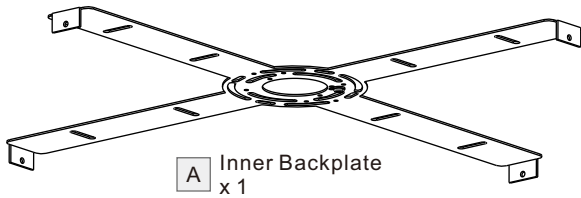
Turn off the electricity at the circuit breaker before installation. Consult a licensed electrician if in doubt about installation.

**Package Contents**

**Preparation:** Identify and inspect all parts before beginning the installation.

Missing or damaged parts? Contact your original place of purchase.

**PARTS BAG**



**A** Inner Backplate  
x 1



**B** Wall Anchor  
x 4



**E** Mounting Screw  
x 4



**C** Flat Washer  
x 4



**F** Outlet Box Screw  
x 2



**D** Screw  
x 4



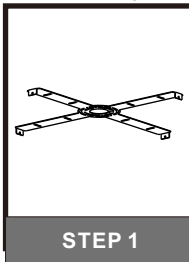
**G** Wire Connector  
x 3



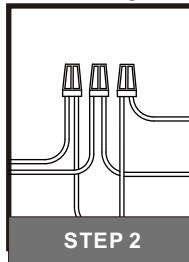
**H** Fixture Body  
x 1

**Table of Contents**

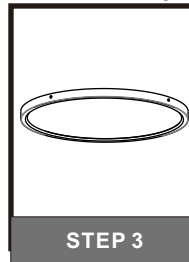
**Inner Backplate**



**Wiring**



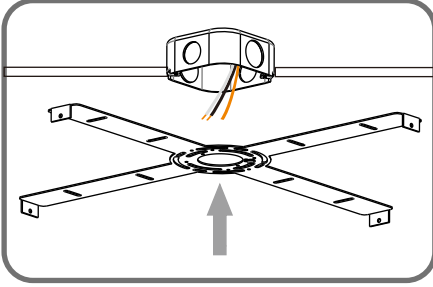
**Fixture Body**



**STEP 1**

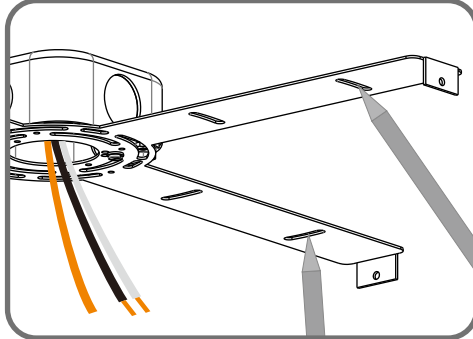
**1**

**Fit inner backplate to outlet box**



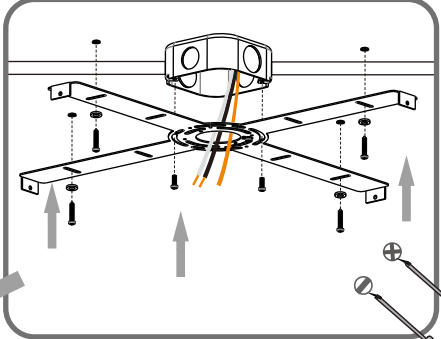
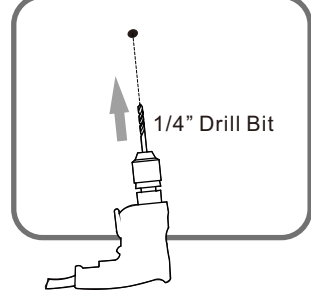
**2**

**Mark anchor holes location on the ceiling**



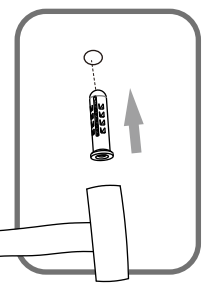
**3**

**Drill holes for anchors from marks**



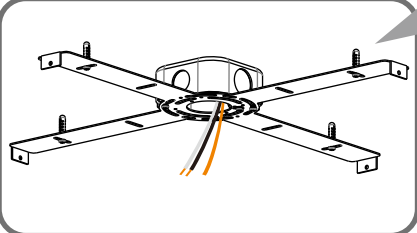
**Install inner backplate**

**5**

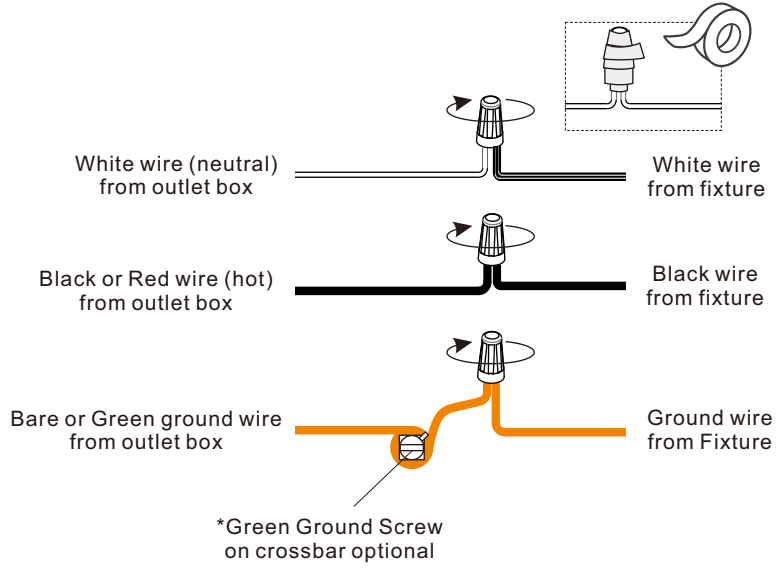


**Install wall anchors**

**4**



**STEP 2**



**STEP 3**

