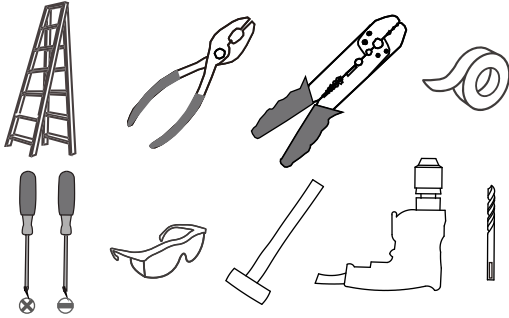


**Tools Required**



**Light Source**

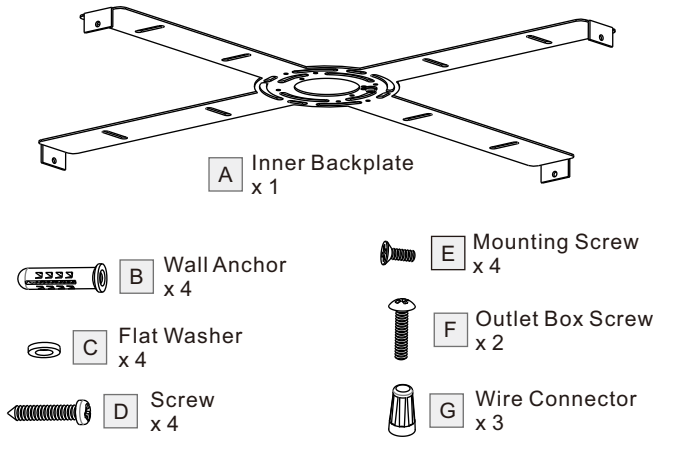
32W  
**LED**

**Warnings and Cautions**

Turn off the electricity at the circuit breaker before installation. Consult a licensed electrician if in doubt about installation.

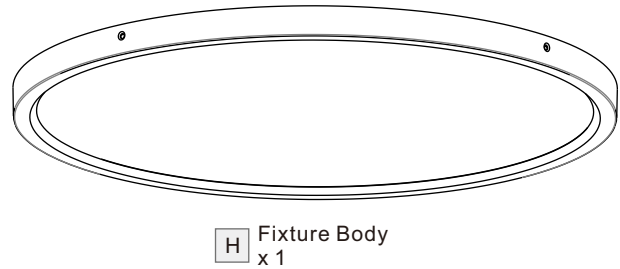
**Package Contents**

**PARTS BAG**



**Preparation:** Identify and inspect all parts before beginning the installation.

Missing or damaged parts? Contact your original place of purchase.



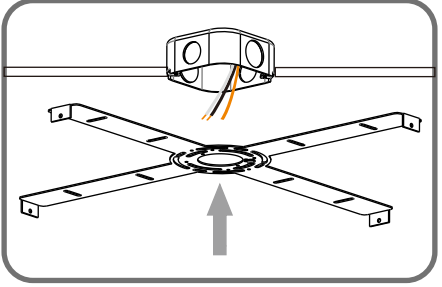
**Table of Contents**

Inner Backplate	Wiring	Fixture Body
STEP 1	STEP 2	STEP 3

**STEP 1**

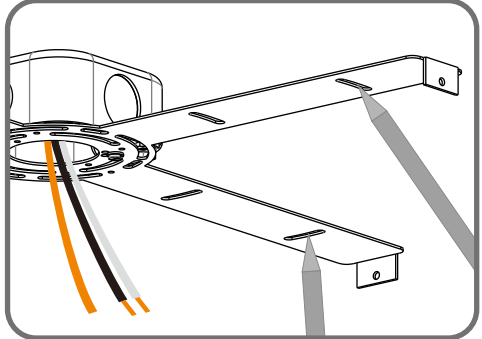
**1**

**Fit inner backplate to outlet box**



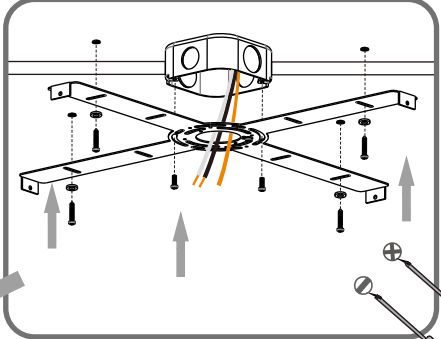
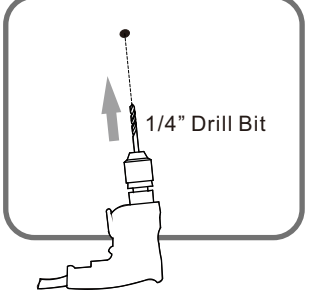
**2**

**Mark anchor holes location on the ceiling**



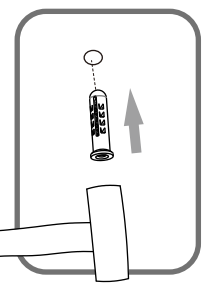
**3**

**Drill holes for anchors from marks**



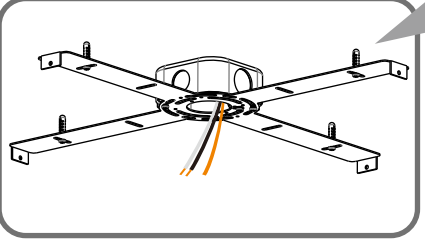
**Install inner backplate**

**5**

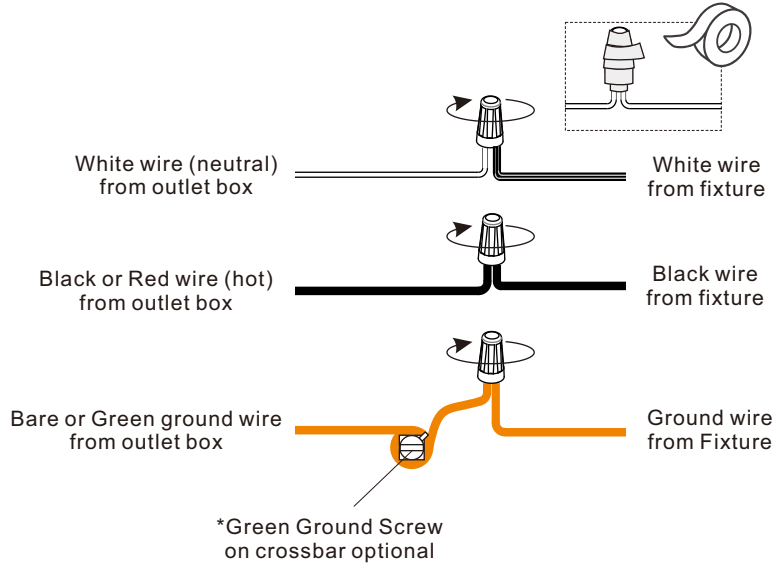


**Install wall anchors**

**4**



**STEP 2**



**STEP 3**

