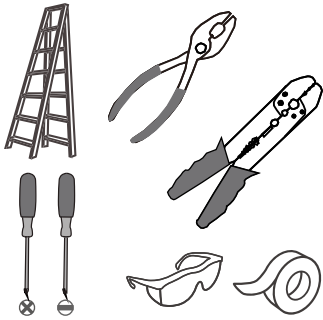
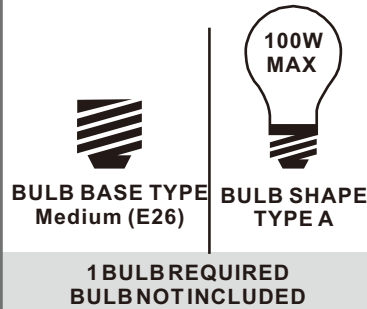


Tools Required



Light Source



Warnings and Cautions

Turn off the electricity at the circuit breaker before installation. Consult a licensed electrician if in doubt about installation.

Turn off power to the fixture and allow the bulbs to cool before replacing.

Package Contents

Preparation: Identify and inspect all parts before beginning the installation.

Missing or damaged parts? Contact your original place of purchase.

PARTS BAG

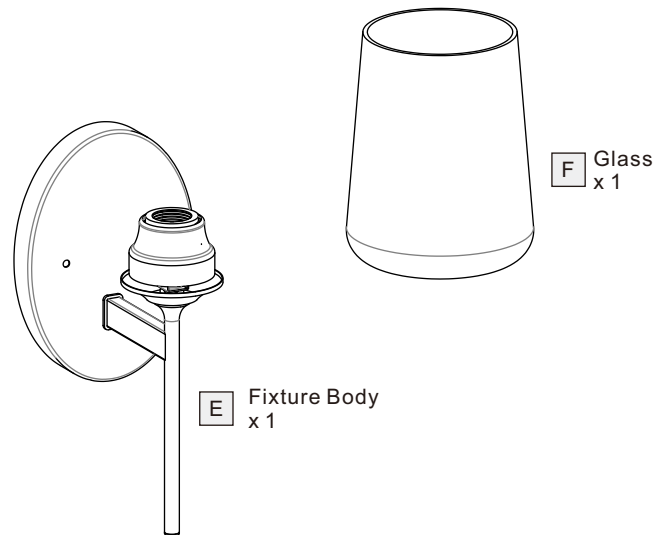
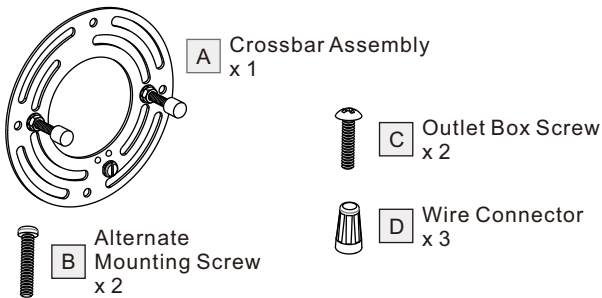


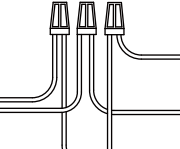
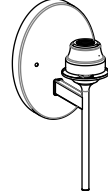

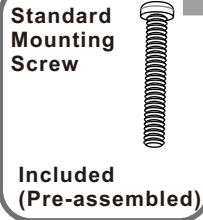


Table of Contents

Alternate Mounting Screw	Crossbar Assembly	Wiring	Fixture Body	Shade & Bulb
				
STEP 1	STEP 2	STEP 3	STEP 4	STEP 5

STEP 1

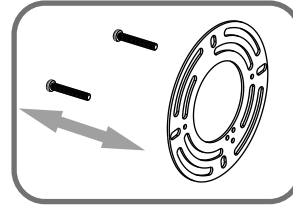
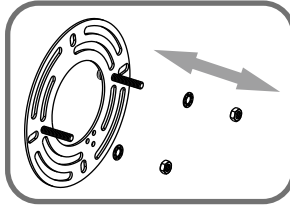
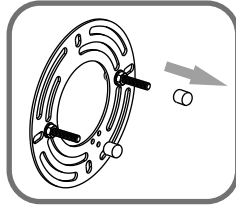
OPTION 1



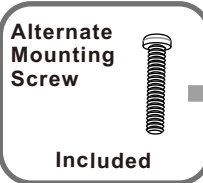
skip to next page

1 2 3

Steps 1-3 to remove standard mounting screws



OPTION 2



Steps 4-6 to reassemble with alternate mounting screws

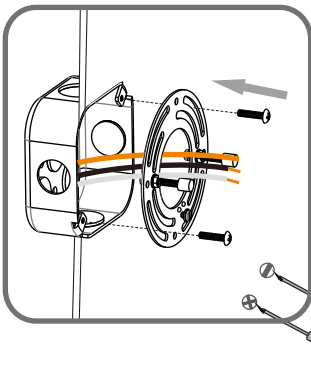
6

5

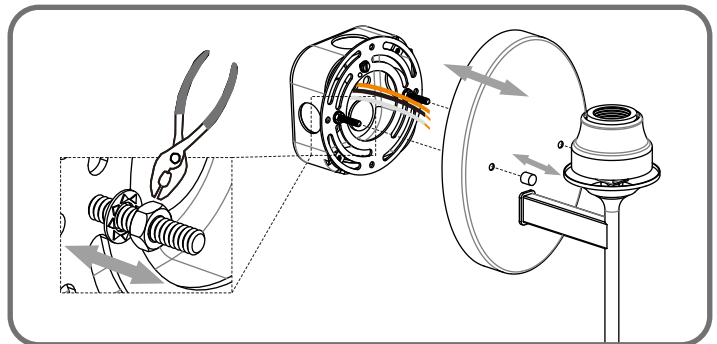
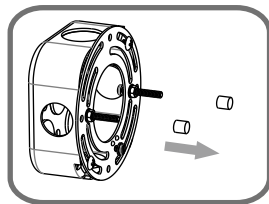
STEP 2

1 2 3

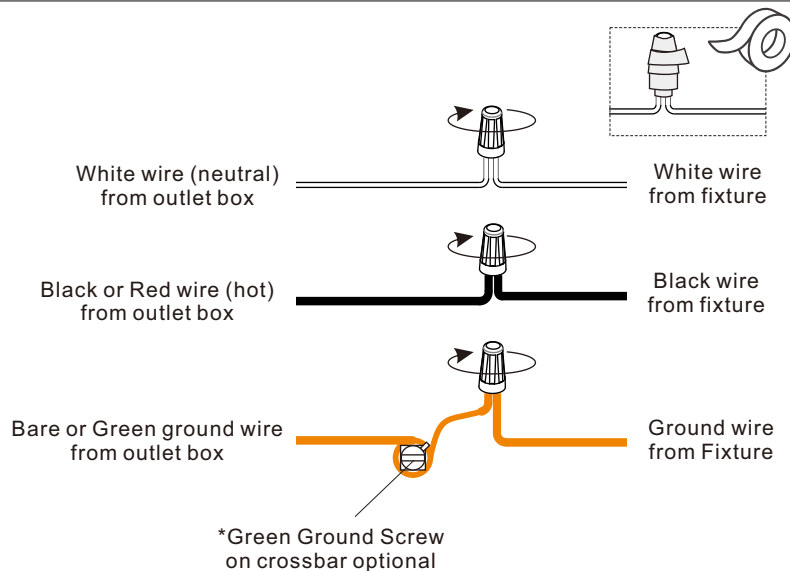
Step 1
Install crossbar assembly



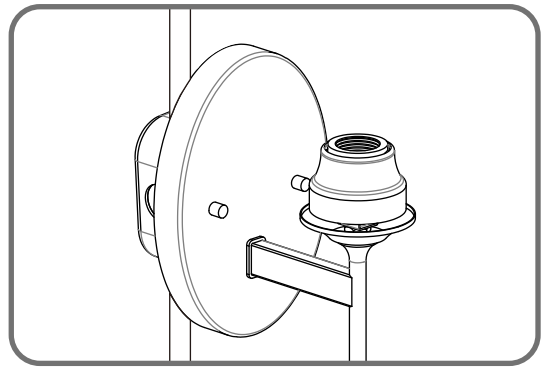
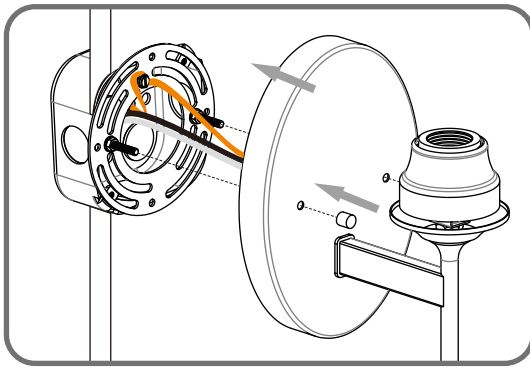
Step 2 - 3
Test fitting backplate to mounting screws



STEP 3



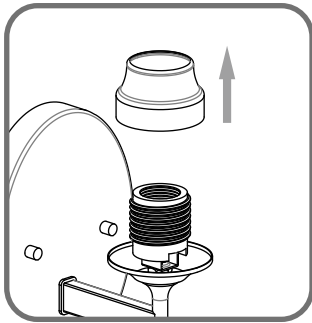
STEP 4



STEP 5

1

Remove socket collar



2

Install glass and bulb

