

Please go to [www.quoizel.com](http://www.quoizel.com) for product cleaning tips. Go to the **Care + Maintenance** selection.

**Tools Required:** Flathead screwdriver, Phillips screwdriver, pliers, wire cutters, wire strippers, electrical tape, safety glasses.

**Light Source:** (3) Medium Base Bulbs 60W Maximum

**Estimated Assembly Time:** 30-45 minutes

**Preparation:** Identify and inspect all parts before beginning installation. Check package content list and diagrams below to be sure all parts are present. If any parts are missing or damaged, do not attempt to assemble, install, or operate the fixture. Contact customer service for replacement parts.

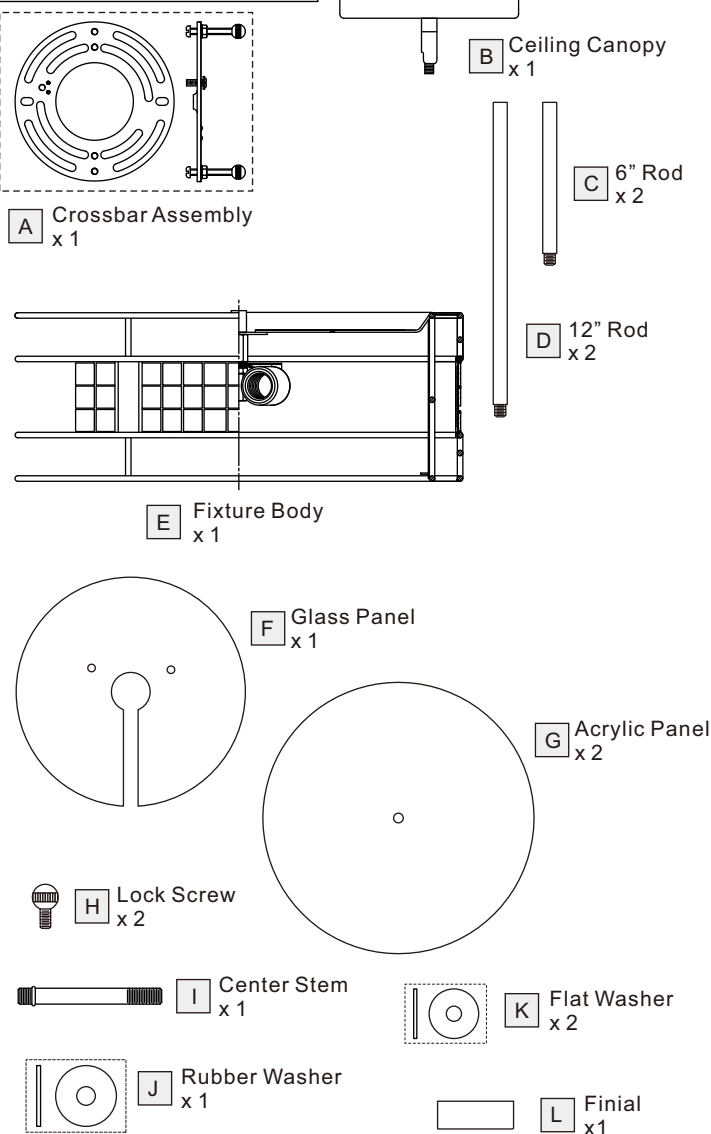
### **⚠ Warnings and Cautions**

Turn off electricity at circuit breaker or main fuse box before installation. Consult a licensed electrician if in doubt.

These instructions are provided for your safety. It is very important you read them completely before installing the fixture. We strongly recommend that a licensed, professional electrician perform the installation.

Disconnect fixture from power source before replacing bulbs. Make sure bulbs are given sufficient time to cool before removal.

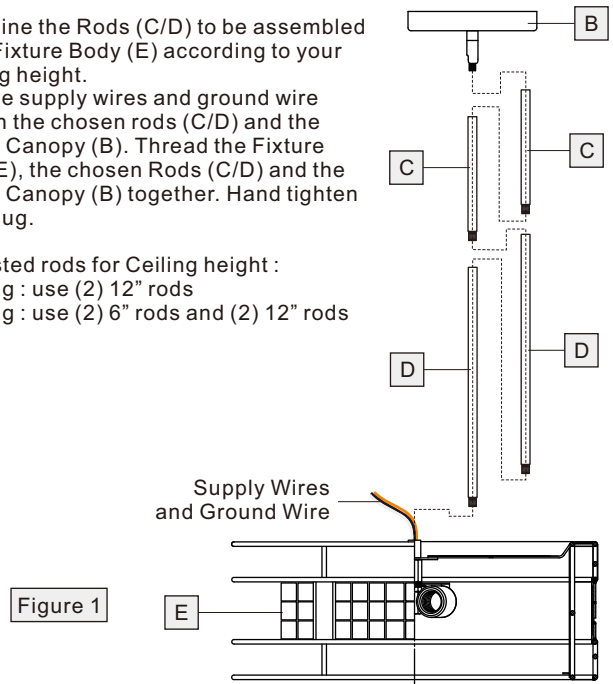
### Package Contents



### STEP 1 - Install Ceiling Canopy, Rods and Fixture Body together

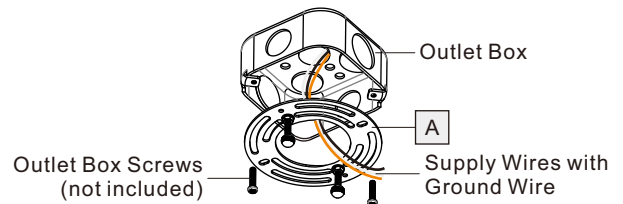
- A. Determine the Rods (C/D) to be assembled to the Fixture Body (E) according to your hanging height.
- B. Pass the supply wires and ground wire through the chosen rods (C/D) and the Ceiling Canopy (B). Thread the Fixture Body (E), the chosen Rods (C/D) and the Ceiling Canopy (B) together. Hand tighten until snug.

Suggested rods for Ceiling height :  
 8' ceiling : use (2) 12" rods  
 9' ceiling : use (2) 6" rods and (2) 12" rods



### STEP 2 - Install Crossbar Assembly

- A. Pass the supply wires through the Crossbar Assembly (A). Attach the Crossbar Assembly (A) to the Outlet Box with the head of the Green Ground Screw facing you. Secure it with Outlet Box Screws (not included). Tighten until snug.



**Thank you for purchasing a Quoizel product.**  
**Need assistance with parts or assembly? Call Quoizel customer service at 1-800-645-3184**  
**or visit us on-line at [www.quoizel.com](http://www.quoizel.com)**

### STEP 3 - Test Fit the Ceiling Canopy to the Crossbar Assembly

A. Remove the mounting balls from the Crossbar Assembly (A). Place the Ceiling Canopy (B) onto the Crossbar Assembly (A) and secure with mounting balls. Note: The Ceiling Canopy (B) should be snug against the ceiling and held tight with the mounting balls. If it is not, adjust the length of the mounting screws on the Crossbar Assembly (A) by unscrewing the preassembled hex nut and lock washer and then screwing the mounting screws in or out of the crossbar until the correct length is achieved. Once the Ceiling Canopy (B) is secure, remove the mounting ball and Ceiling Canopy (B) and proceed to Step 4.

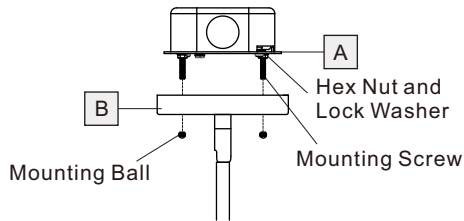


Figure 3

### STEP 4 - Wire Connections

A. Use standard wire connectors (not included) to make all wire connections. Twist connectors until wires are tightly joined together. Wrap each connection with approved electrical tape and carefully stuff all the connected wires into the Outlet Box.

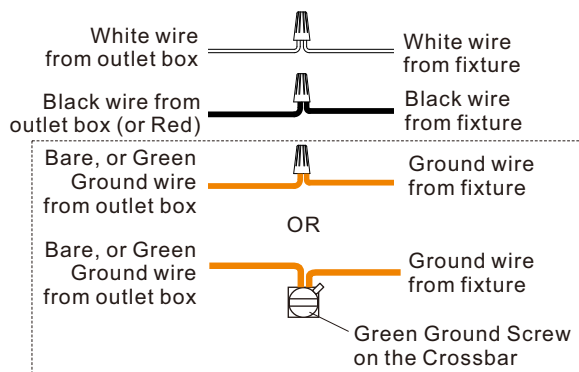


Figure 4

### STEP 5 - Install the Fixture Body

A. Position the Ceiling Canopy (B) onto the Crossbar Assembly (A). Place the holes in the Ceiling Canopy (B) over the mounting screws. Secure the Ceiling Canopy (B) by using the mounting balls and hand tighten the mounting balls until snug.

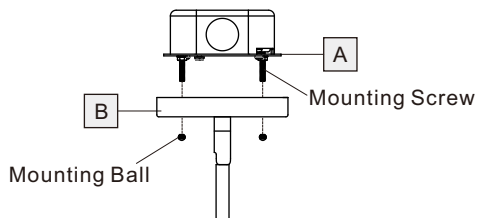


Figure 5

### STEP 6 - Install Acrylic Panel and Bulbs

A. Thread the beaded end of the Center Stem (I) into the hex coupling underside of the socket cluster. Hand tighten until snug.  
 B. Place the Acrylic Panel (G) over the end of the Center Stem (I), attach onto the tabs in the bottom edge of the shade and Fixture Body (E). Place the Rubber Washer (J) over the end of the Center Stem (I) and secure with the Finial (M). Hand tighten until snug.  
 C. Insert bulbs onto sockets and screw snugly into place.

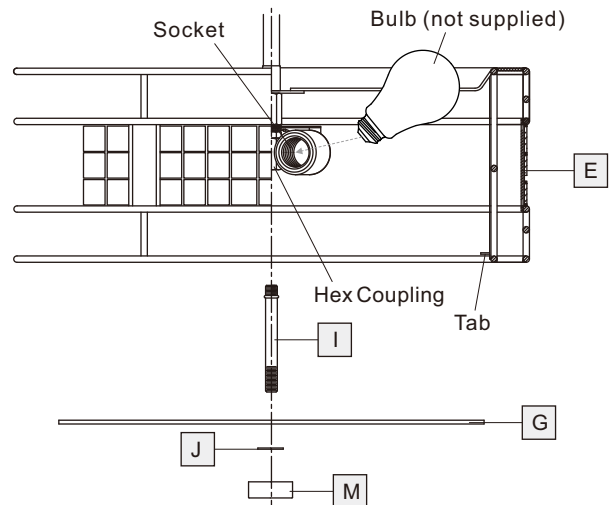


Figure 6

### STEP 7 - Install Glass Panel

A. Pass the Slot on the Glass Panel (F) over the support rod and align holes on the Glass Panel (F) onto the mounting holes on the bracket on the shade and Fixture Body (E).  
 B. Pass Steel Washers (K) over Lock Screws (H) and then screw the Lock Screws (H) into the Mounting Holes on bracket to secure the Glass Panel (F). Hand tighten gently until snug.

Your fixture is now assembled and ready to use. Enjoy!

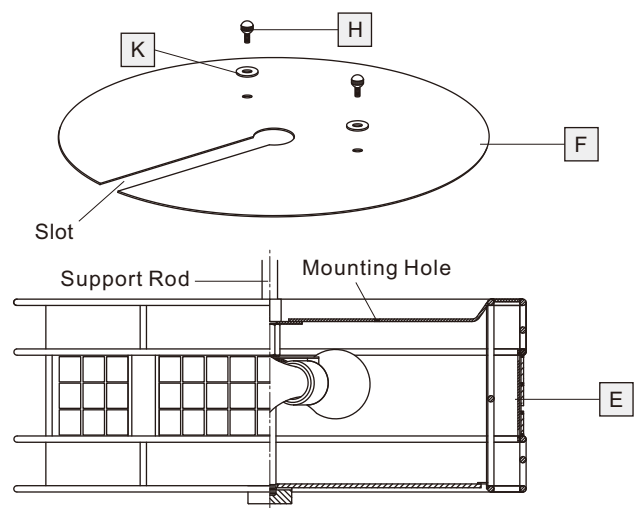
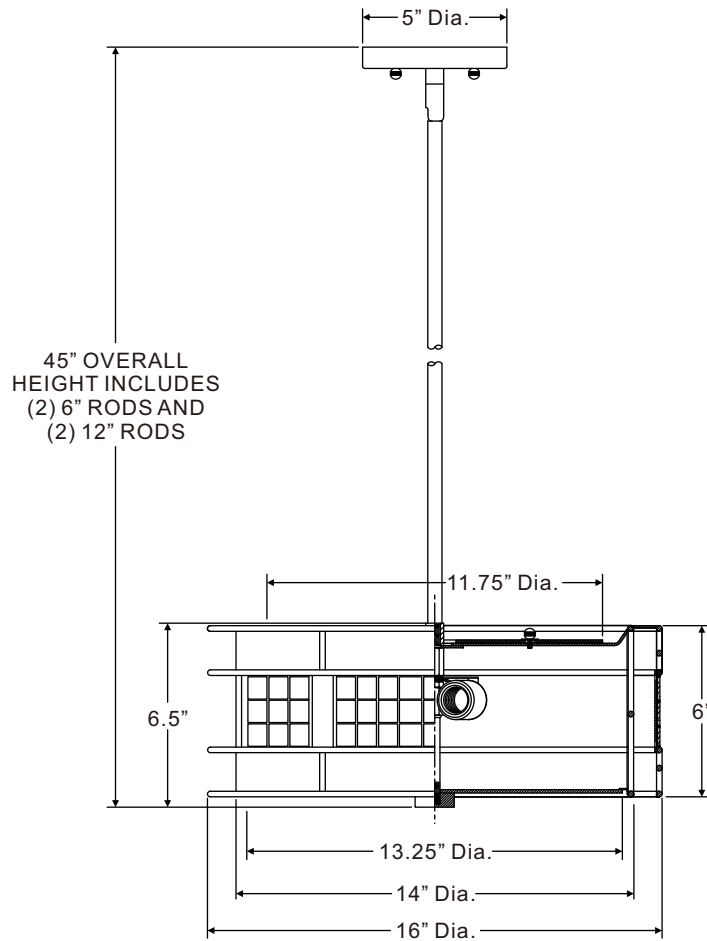
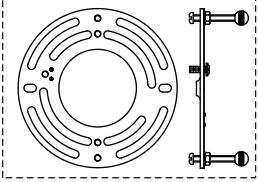


Figure 7

Thank you for purchasing a Quoizel product.  
 Need assistance with parts or assembly? Call Quoizel customer service at 1-800-645-3184  
 or visit us on-line at [www.quoise.com](http://www.quoise.com)

MC842CRC

FINISH: RENAISSANCE COPPER



NOTE: ALL DIMENSIONS ARE ROUNDED UP TO THE NEAREST 1/4"

Thank you for purchasing a Quoizel product.  
Need assistance with parts or assembly? Call Quoizel customer service at 1-800-645-3184  
or visit us on-line at [www.quoise.com](http://www.quoise.com)