

Please go to www.quoizel.com for product cleaning tips. Go to the **Care + Maintenance** selection.

Tools Required: Flathead screwdriver, Phillips screwdriver, pliers, wire cutters, wire strippers, electrical tape, safety glasses.

Light Source: (2) A19 Medium Base Bulbs 60W Maximum or

(2) Medium Base Vintage Bulbs are recommended but not supplied.

Estimated Assembly Time: 30-45 minutes

Preparation: Identify and inspect all parts before beginning installation. Check package content list and diagrams below to be sure all parts are present. If any parts are missing or damaged, do not attempt to assemble, install, or operate the fixture. Contact customer service for replacement parts.

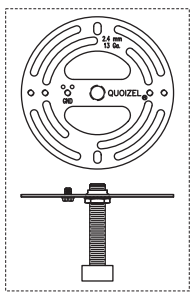
⚠ Warnings and Cautions

Turn off electricity at circuit breaker or main fuse box before installation. Consult a licensed electrician if in doubt.

These instructions are provided for your safety. It is very important you read them completely before installing the fixture. We strongly recommend that a licensed, professional electrician perform the installation.

Disconnect fixture from power source before replacing bulbs. Make sure bulbs are given sufficient time to cool before removal.

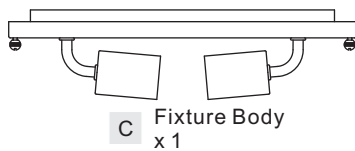
Package Contents



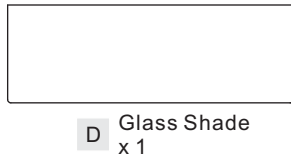
A Crossbar Assembly x 1



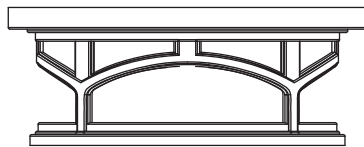
B Tab x 3



C Fixture Body x 1



D Glass Shade x 1



E Cage x 1

STEP 1 – Install the Crossbar Assembly to Outlet Box and Adjust the length of the Nipple

- A. Attach the Crossbar Assembly (A) to the Outlet Box with the head of the Green Ground Screw facing you. Secure it with Outlet Box Screws (not included), tighten until snug.
- B. Remove the mounting ball from the Crossbar Assembly (A). Adjust the hex nut and lock washer underside of the crossbar to the middle of the nipple.
- C. Place the ceiling canopy and the Fixture Body (C) over the nipple against the ceiling to determine the correct position of the nipple. Thread the mounting ball back onto the nipple. Adjust the nipple to allow the ceiling canopy and the Fixture Body (C) to rest against the

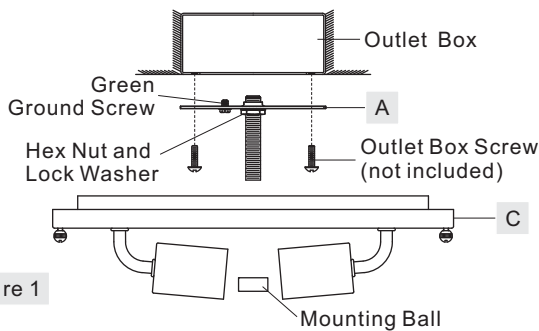


Figure 1

(Step 1 Continued)

ceiling when held in place by the mounting ball.

- D. Remove the mounting ball and the Fixture Body (C). Tighten the lock washer and the hex nut against the crossbar to secure in place.

STEP 2 - Wire Connections

- A. Wrap bare or green ground wire around green ground screw on the crossbar, no less than 2 inches from the end of the wire. Tighten the green ground screw.
- B. Use standard wire connectors (not included) to make all wire connections. Twist connectors until wires are tightly joined together. Wrap each connection with approved electrical tape and carefully stuff all the connected wires into the Outlet Box.

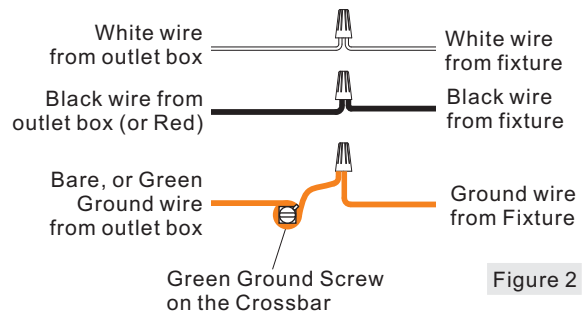


Figure 2

STEP 3 – Install Fixture Body

- A. Place the Fixture Body (C) over the end of the nipple and secure with previously removed mounting ball. Hand tighten until snug.

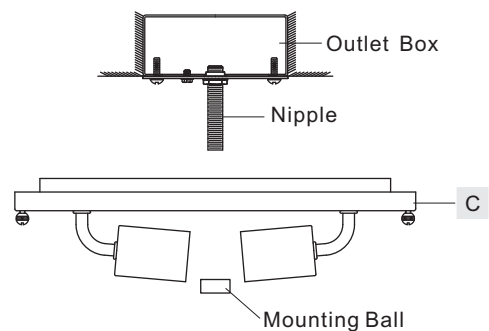


Figure 3

Thank you for purchasing a Quoizel product.
Need assistance with parts or assembly? Call Quoizel customer service at 1-800-645-3184 or visit us on-line at www.quoizel.com

STEP 4 - Install Bulbs, Glass Shade and Cage

- A. Remove lock balls from the Fixture Body (C).
- B. Insert bulbs onto sockets and screw snugly into place.
- C. Place the Glass Shade (D) into the Cage (E) and secure by pushing Tabs (B) onto top edge of the Glass Shade (D) and the Cage (E).
- D. Lift the Cage with Glass Shade upward and pass the holes on the Cage (E) over the bolts on the Fixture Body (C). Secure by threading previously removed lock balls back onto bolts. Hand tighten until snug.

Your fixture is now assembled and ready to use. Enjoy!

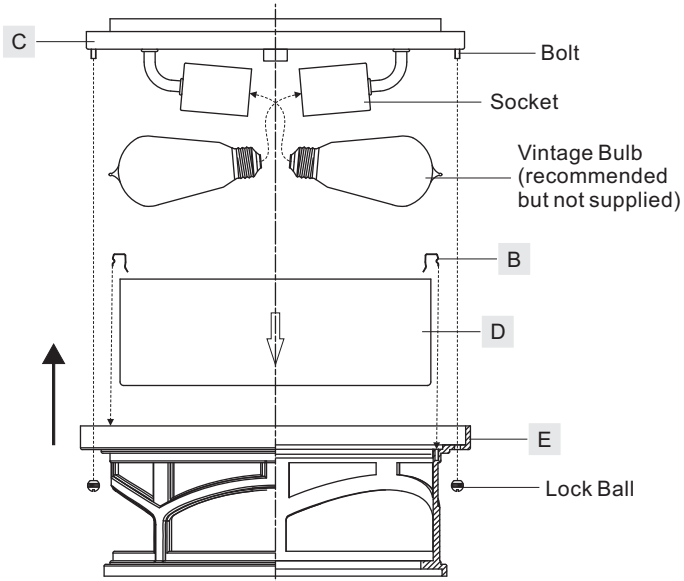
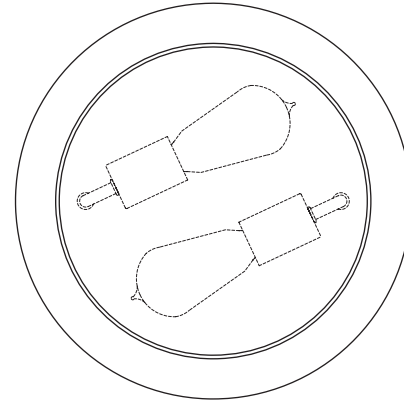
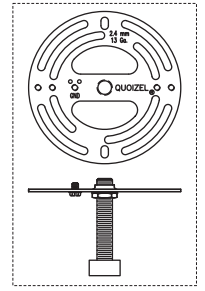
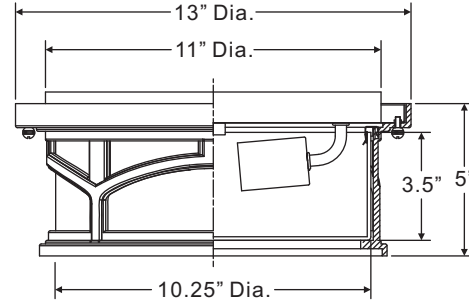


Figure 4

MBH1613PN

FINISH: PALLADIAN BRONZE



NOTE: ALL DIMENSIONS ARE ROUNDED UP TO THE NEAREST 1/4"

Thank you for purchasing a Quoizel product.
Need assistance with parts or assembly? Call Quoizel customer service at 1-800-645-3184
or visit us on-line at www.quoizel.com