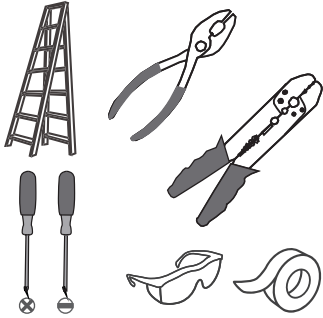
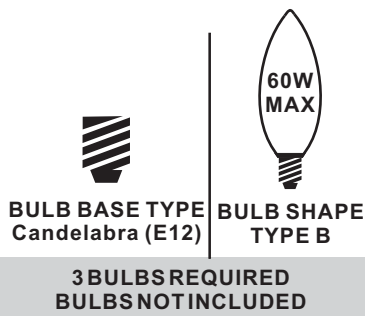


Tools Required



Light Source



Warnings and Cautions

Turn off the electricity at the circuit breaker before installation. Consult a licensed electrician if in doubt about installation.

Turn off power to the fixture and allow the bulbs to cool before replacing.

Package Contents

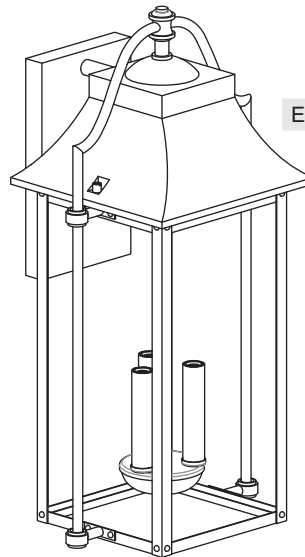
Preparation: Identify and inspect all parts before beginning the installation.

Missing or damaged parts? Contact your original place of purchase.

PARTS BAG



- A** Crossbar Assembly x 1
- B** Mounting Screw x 2
- C** Outlet Box Screw x 2
- D** Wire Connector x 3



E Fixture Body x 1



F Glass Panel x 4

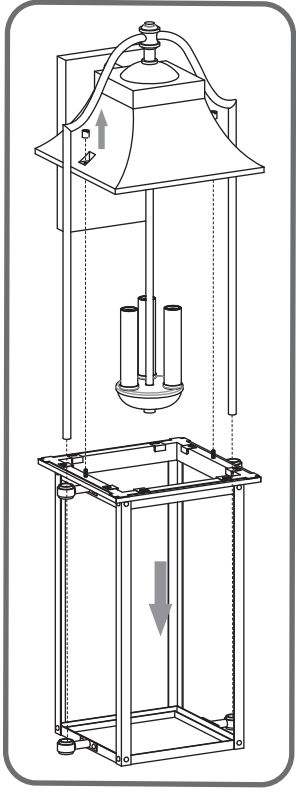
Table of Contents

Glass Panel	Crossbar Assembly	Wiring	Fixture Body	Bulb	Caulk
STEP 1	STEP 2	STEP 3	STEP 4	STEP 5	STEP 6

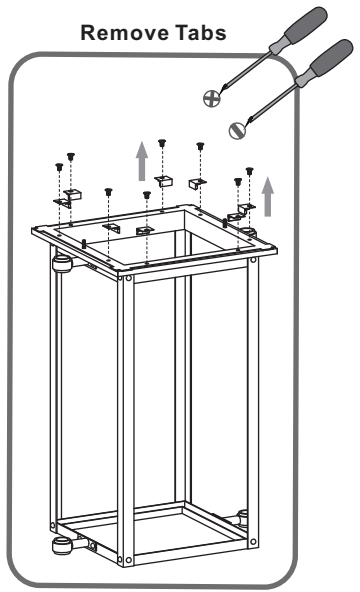
STEP 1

- 1 ————— 2 ————— 3 ————— 4

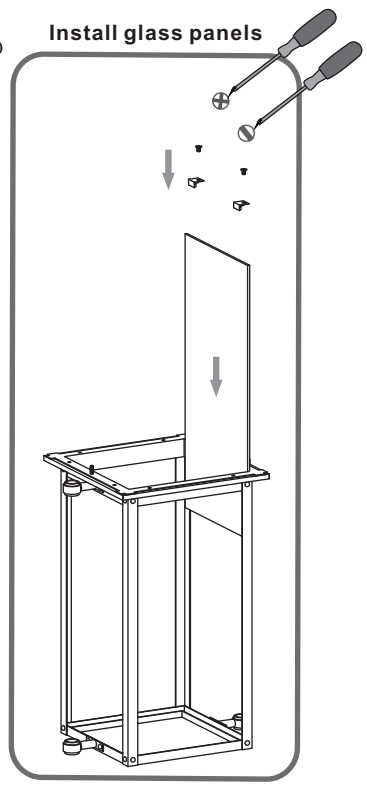
Remove cage



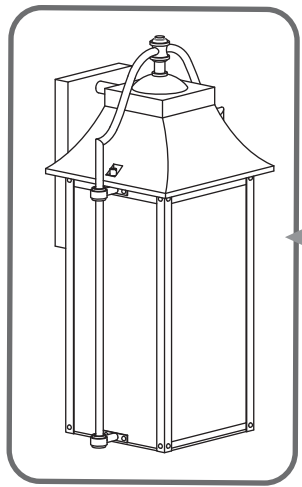
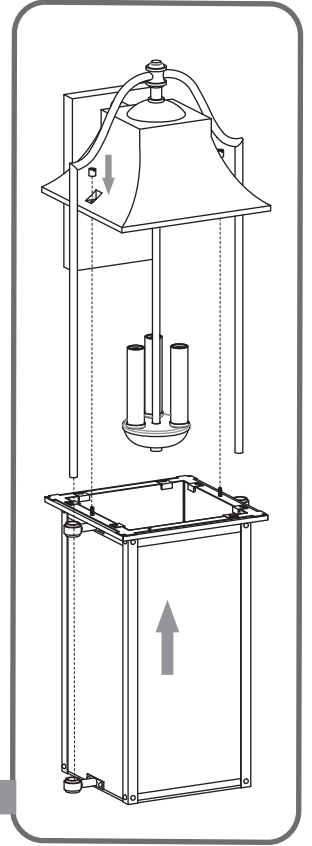
Remove Tabs



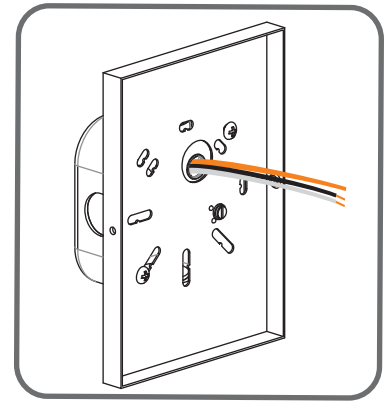
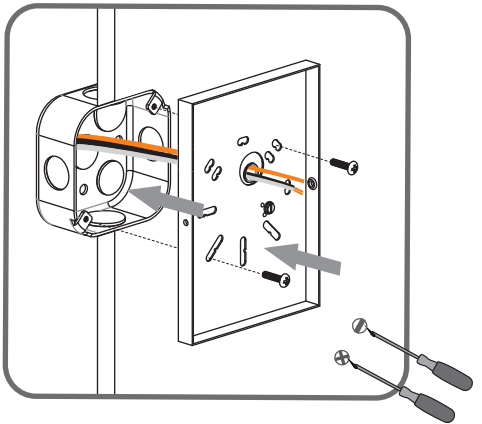
Install glass panels



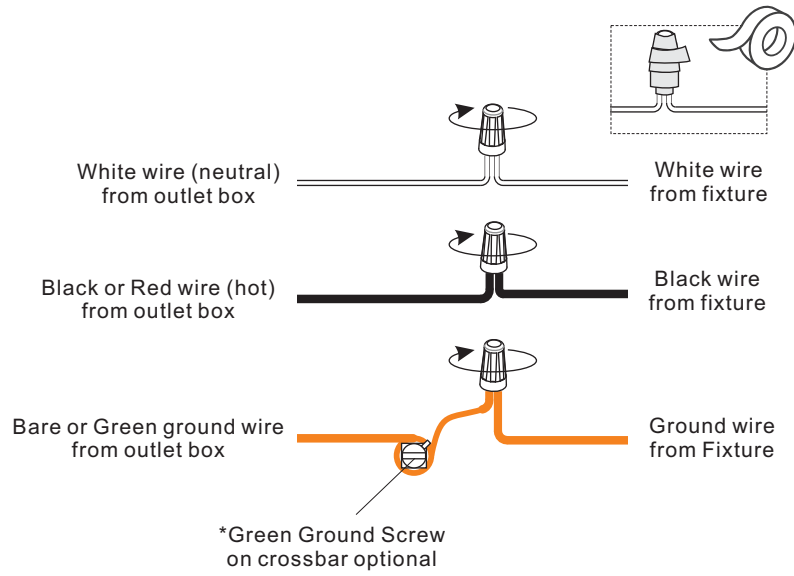
Install cage



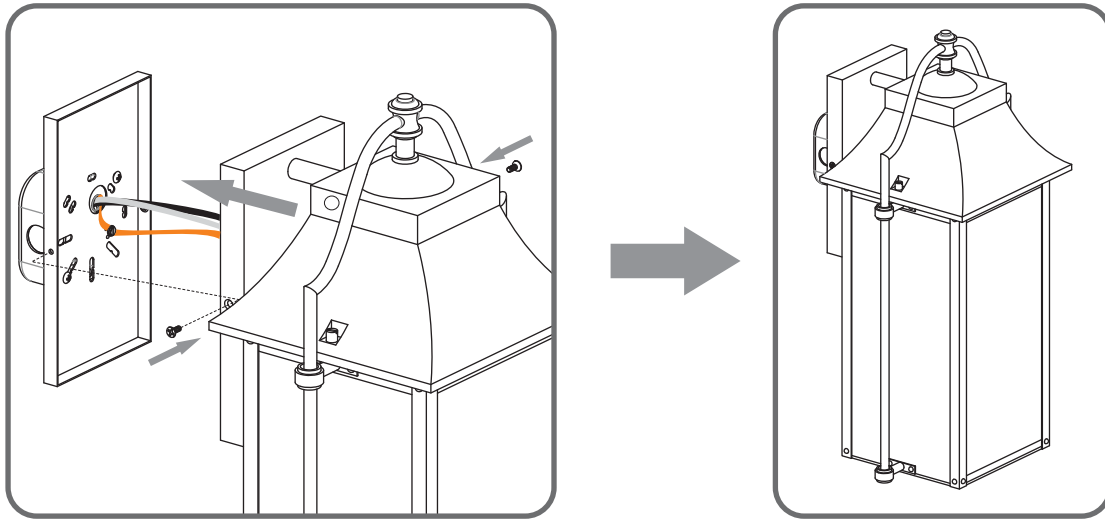
STEP 2



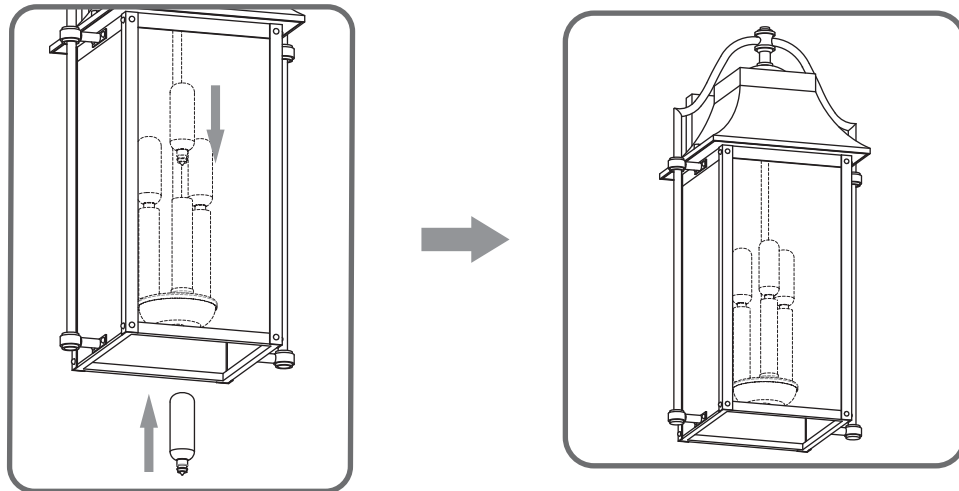
STEP 3



STEP 4



STEP 5



STEP 6

