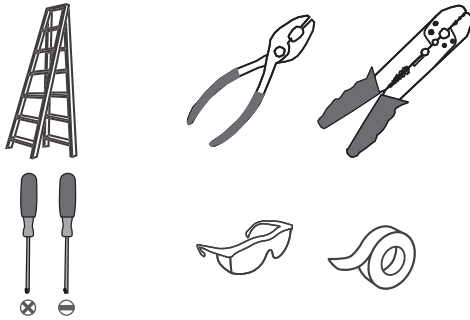
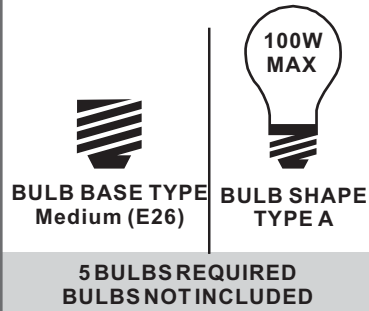


Tools Required



Light Source



**Fixture Height Adjustable
17" to 53"**

Warnings and Cautions

Turn off the electricity at the circuit breaker before installation. Consult a licensed electrician if in doubt about installation.

Turn off power to the fixture and allow the bulbs to cool before replacing.

Package Contents

Preparation: Identify and inspect all parts before beginning the installation.

Missing or damaged parts? Contact your original place of purchase.

PARTS BAG

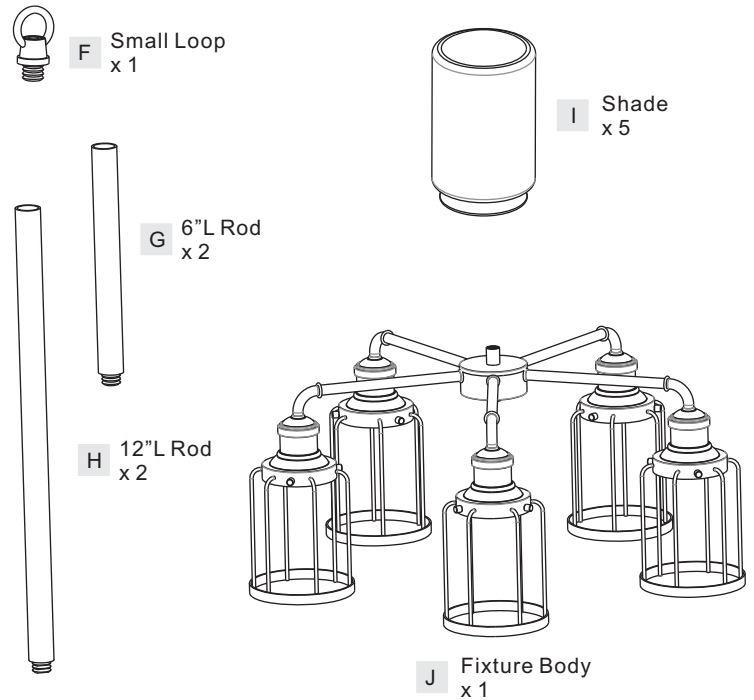
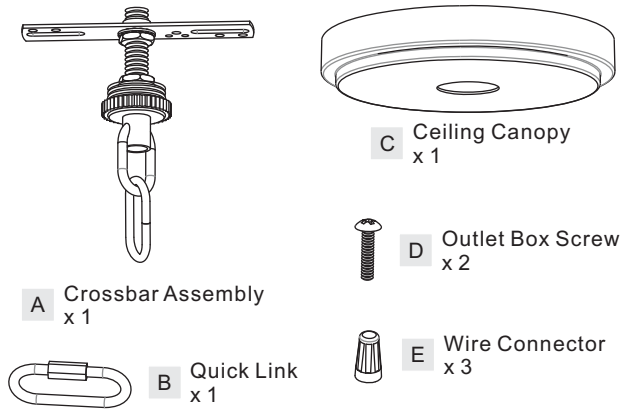


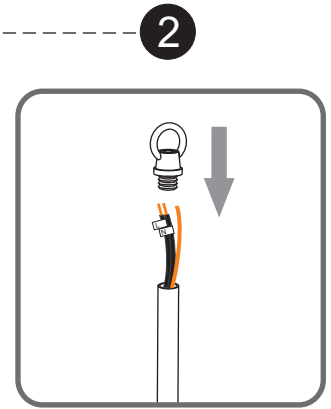
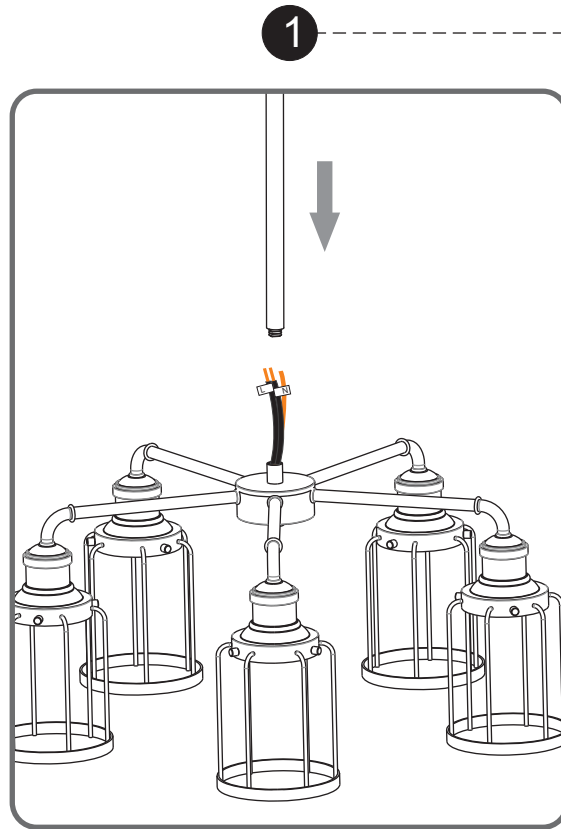
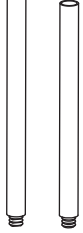
Table of Contents

Rods & Small Loop	Crossbar Assembly	Quick Link	Wiring	Ceiling Canopy	Bulb & Shade	Reverse Cage
STEP 1	STEP 2	STEP 3	STEP 4	STEP 5	STEP 6	STEP 7

STEP 1

Optional Rods

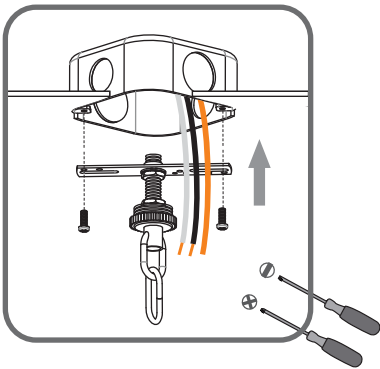
- 8' ceiling:**
(1) 6"L + (1) 12"L rods
- 9' ceiling:**
(1) 6"L + (2) 12"L rods
- 10' ceiling:**
(2) 6"L + (2) 12"L rods



STEP 2

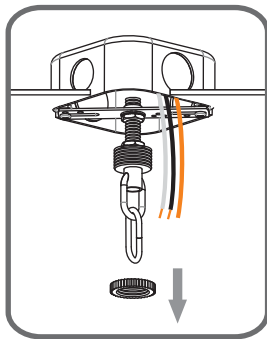
1

Step 1
Install crossbar assembly

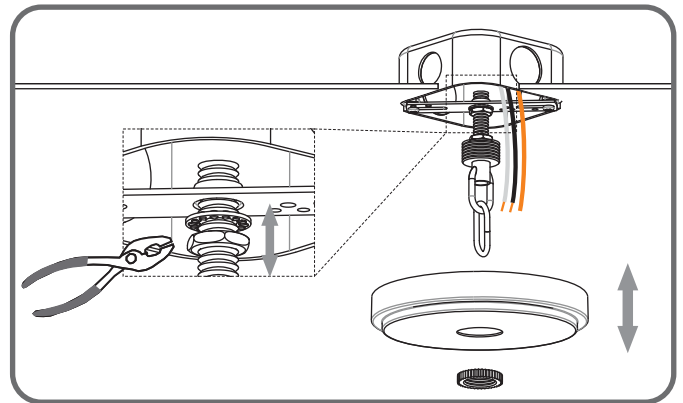


2

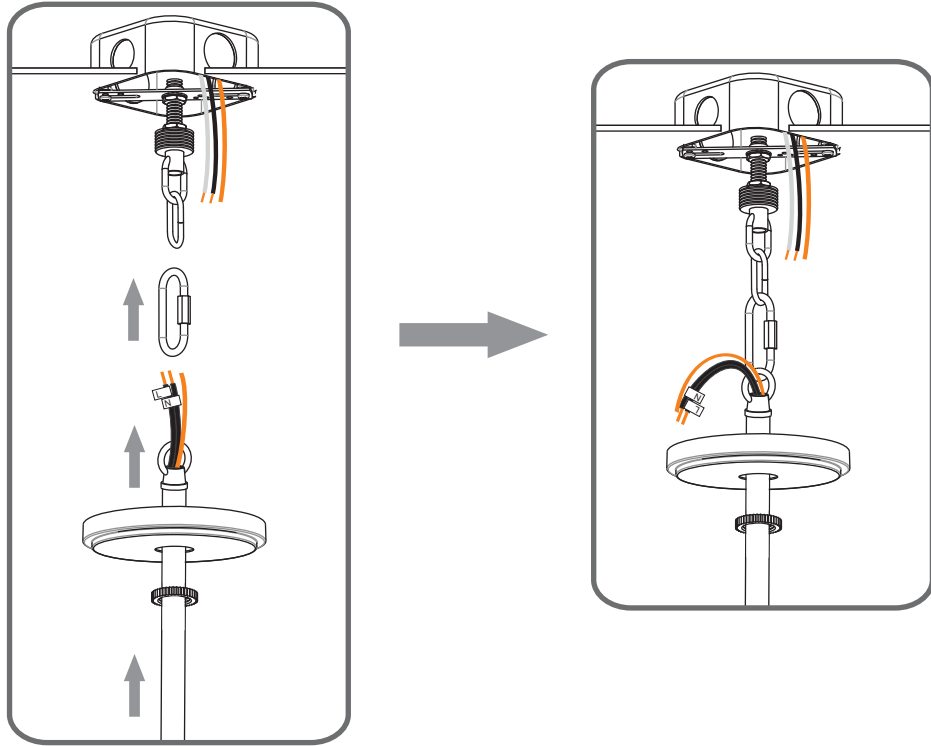
Step 2 - 3
Test fitting ceiling canopy to nipple



3



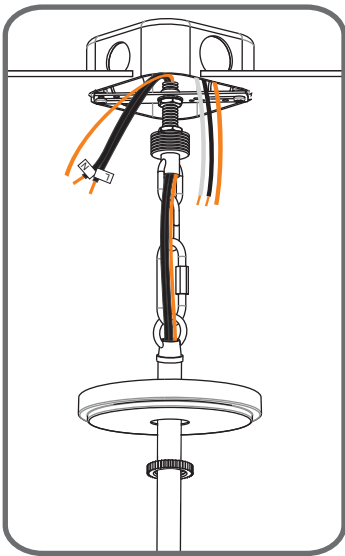
STEP 3



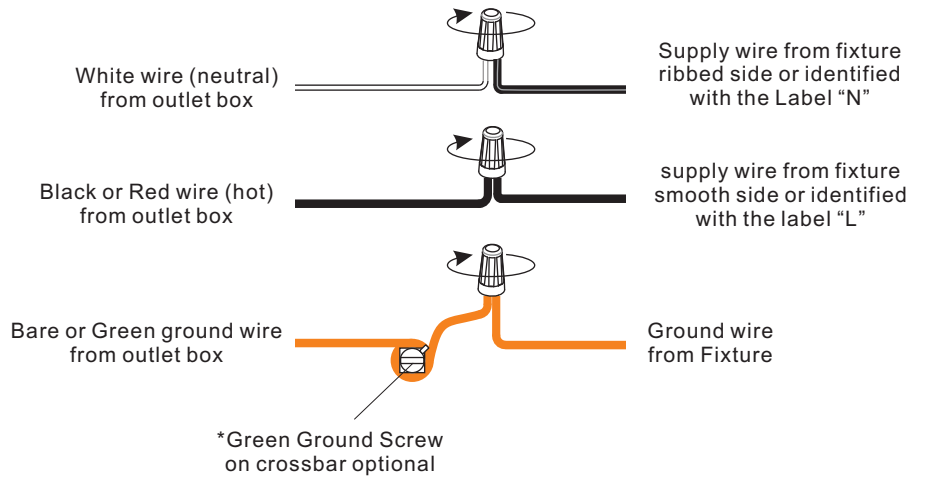
STEP 4

1

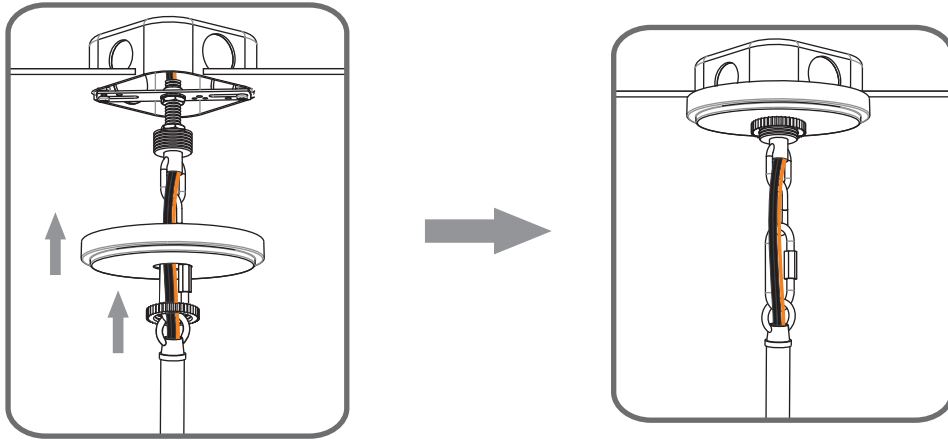
Step 1
Feed the fixture wires
through the loop



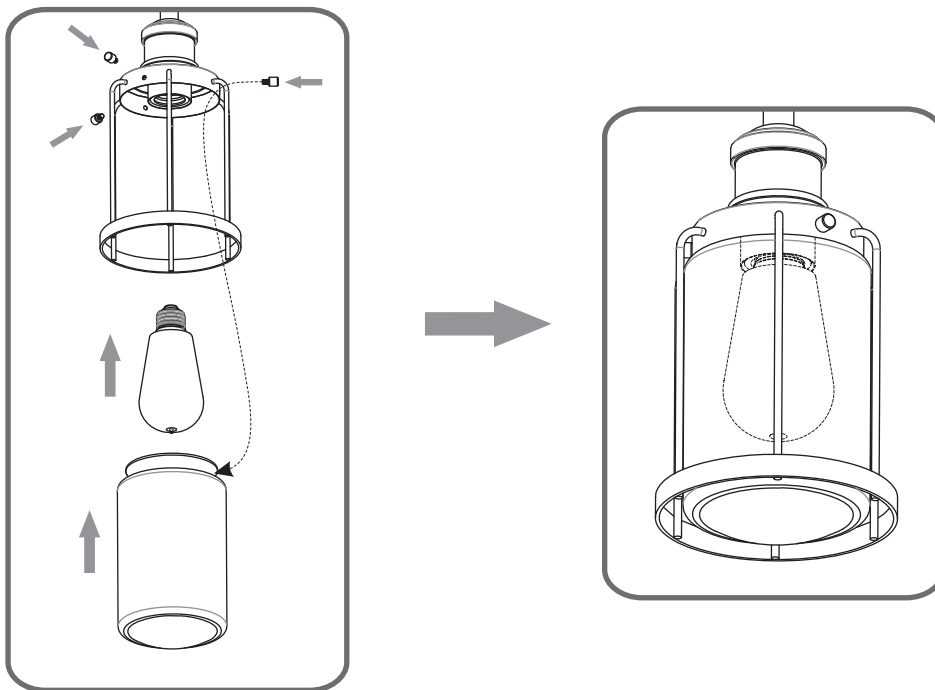
2



STEP 5



STEP 6



STEP 7

Optional: Reverse the cage to up by adjusting the arm.

