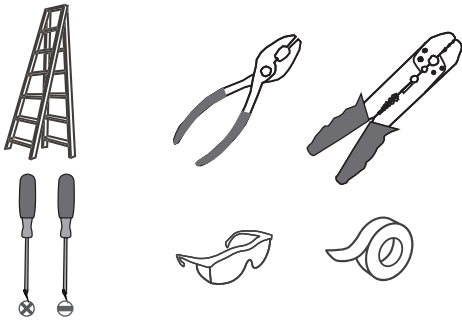
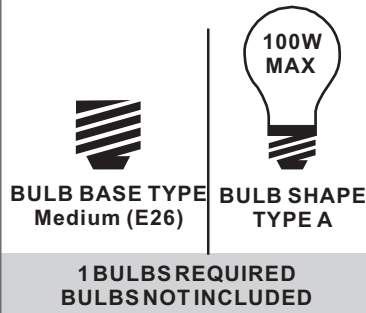


**Tools Required**



**Light Source**



**Fixture Height Adjustable 16" to 52"**

**Warnings and Cautions**

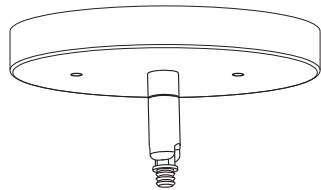
Turn off the electricity at the circuit breaker before installation. Consult a licensed electrician if in doubt about installation.

Turn off power to the fixture and allow the bulbs to cool before replacing.

**Package Contents**

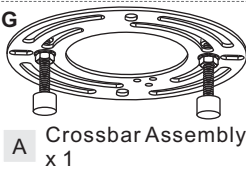
**Preparation:** Identify and inspect all parts before beginning the installation.

Missing or damaged parts? Contact your original place of purchase.



**D** Ceiling Canopy x 1

**PARTS BAG**



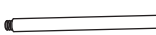
**A** Crossbar Assembly x 1



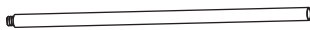
**B** Outlet Box Screw x 2



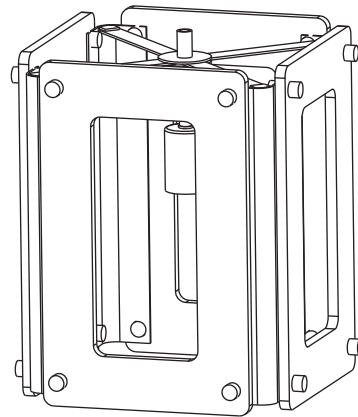
**C** Wire Connector x 3



**E** 6" L Rod x 2



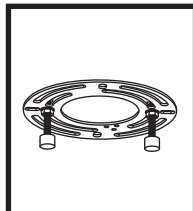
**F** 12" L Rod x 2



**G** Fixture Body x 1

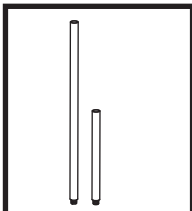
**Table of Contents**

**Crossbar Assembly**



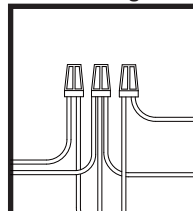
**STEP 1**

**Downrod**



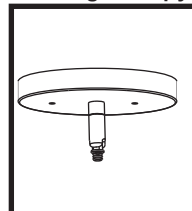
**STEP 2**

**Wiring**



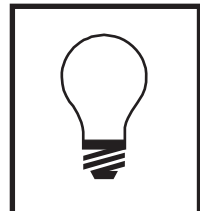
**STEP 3**

**Ceiling Canopy**



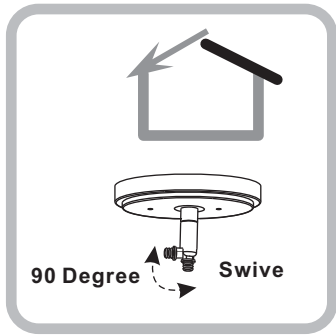
**STEP 4**

**Bulb**



**STEP 5**

## STEP 1

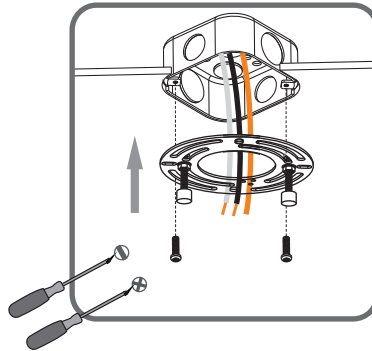


90 Degree Swive

For angled ceilings,  
Swivel opening towards wall.

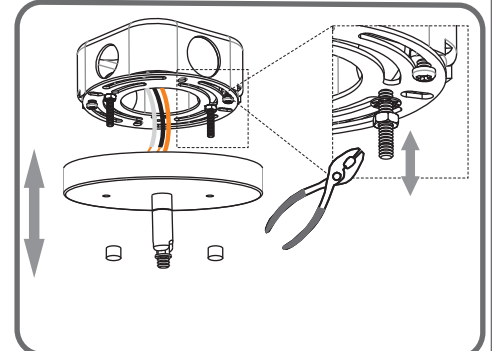
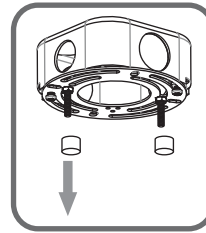
1

Step 1  
Install crossbar assembly



2

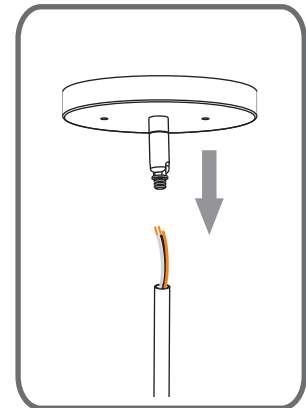
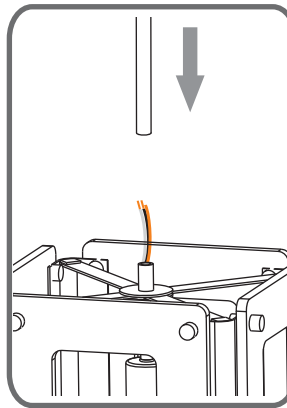
Step 2 - 3  
Test fitting ceiling canopy to  
mounting screws



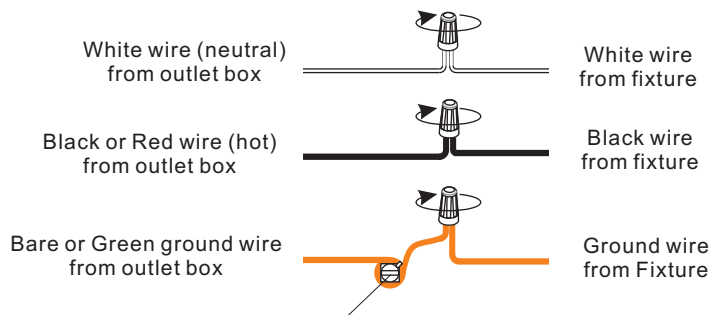
## STEP 2

### Optional Rods

8' ceiling:  
(1) 6"L + (1) 12"L  
rods  
9' ceiling:  
(1) 6"L + (2) 12"L  
rods

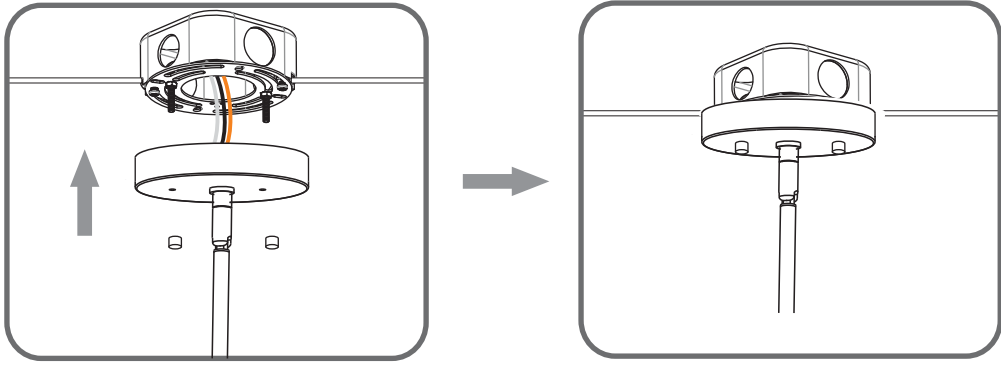


## STEP 3



\*Green Ground Screw on crossbar optional

**STEP 4**



**STEP 5**

