

Please go to www. quozel. com for product cleaning tips. Go to the **Care + Maintenance** selection.

Tools Required: Flathead screwdriver, Phillips screwdriver, pliers, wire cutters, wire strippers, electrical tape, safety glasses.

Light Source: (1) A19 Medium Base Bulb 100W Maximum or
(1) Medium Base Vintage Bulb is recommended but not supplied.

Estimated Assembly Time: 30-45 minutes

Preparation: Identify and inspect all parts before beginning installation. Check package content list and diagrams below to be sure all parts are present. If any parts are missing or damaged, do not attempt to assemble, install, or operate the fixture. Contact customer service for replacement parts.

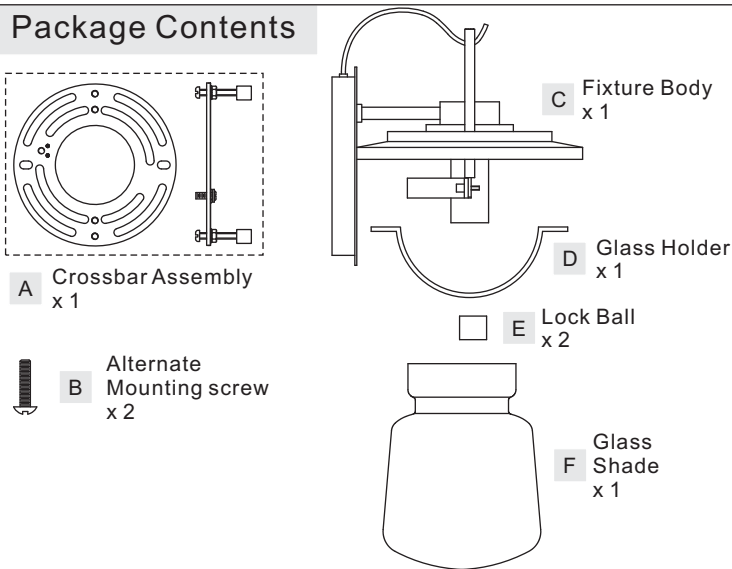
⚠ Warnings and Cautions

Turn off electricity at circuit breaker or main fuse box before installation. Consult a licensed electrician if in doubt.

These instructions are provided for your safety. It is very important you read them completely before installing the fixture. We strongly recommend that a licensed, professional electrician perform the installation.

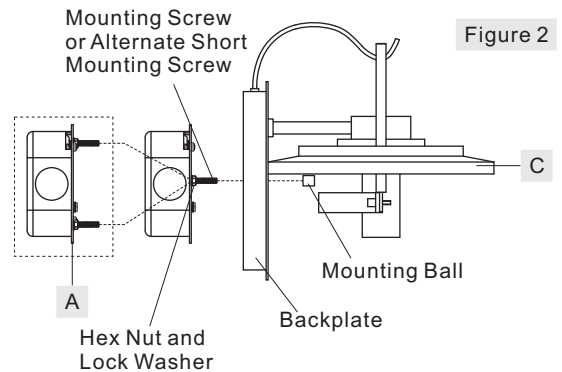
Disconnect fixture from power source before replacing bulbs. Make sure bulbs are given sufficient time to cool before removal.

Package Contents



(Step 2 Continued)

and secure with mounting balls. Note: The backplate and Fixture Body (C) should be snug against the wall and held tight with the mounting balls. If it is not, adjust the length of the mounting screws or alternate short mounting screws on the Crossbar Assembly (A) by unscrewing the preassembled hex nut and lock washer and then screwing the mounting screws or alternate short mounting screws in or out of the crossbar until the correct length is achieved. Once the backplate and Fixture Body (C) is secure, remove the mounting ball and Fixture Body (C) and proceed to Step 3.



STEP 1 - Install Crossbar Assembly

A. Pass the supply wires through the Crossbar Assembly (A). Attach the Crossbar Assembly (A) to the Outlet Box with the head of the Green Ground Screw facing you. Secure it with Outlet Box Screws (not included). Tighten until snug.

Note: Use the Alternate Shorter Mounting Screw (B) if your installation requires a shorter mounting screw.

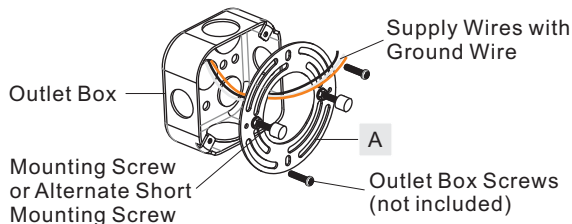


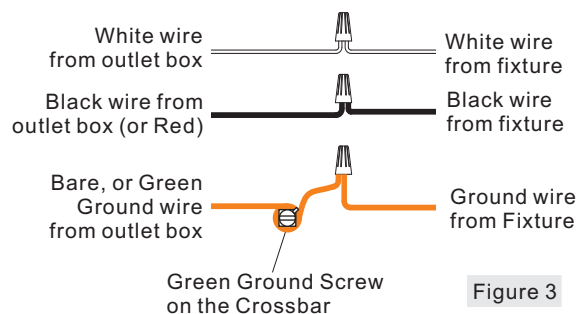
Figure 1

STEP 2 - Test Fit the Backplate to the Crossbar Assembly

A. Remove the mounting balls from the Crossbar Assembly (A). Place the backplate and Fixture Body (C) onto the Crossbar Assembly (A)

STEP 3 - Wire Connections

- Wrap bare or green ground wire around green ground screw on the crossbar, no less than 2 inches from the end of the wire. Tighten the green ground screw.
- Use standard wire connectors (not included) to make all wire connections. Twist connectors until wires are tightly joined together. Wrap each connection with approved electrical tape and carefully stuff all the connected wires into the Outlet Box.



Thank you for purchasing a Quoizel product.
Need assistance with parts or assembly? Call Quoizel customer service at 1-800-645-3184
or visit us on-line at www. quozel. com

STEP 4 – Install the Fixture Body

A. Position the backplate and Fixture Body (C) onto the Crossbar Assembly (A). Place the holes in the backplate over the mounting screws or alternate short mounting screws. Secure the backplate and Fixture Body (C) by using the mounting balls and hand tighten the mounting balls until snug.

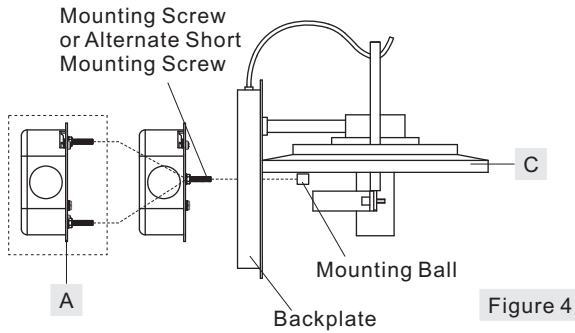


Figure 4

STEP 5 – Install Bulb and Glass Shade

A. Insert the bulb onto the socket and screw snugly into place.
 B. Place the Glass Shade (F) over the bulb carefully. Attach the shade neck to the fixed shade holder on the Fixture Body (C). With one hand holding the Glass Shade (F), place the Glass Shade Holder (D) to other side of shade neck and place it over bolts on the fixed glass holder. Secure them together by threading Lock Balls (E) onto bolts. Hand tighten until snug.

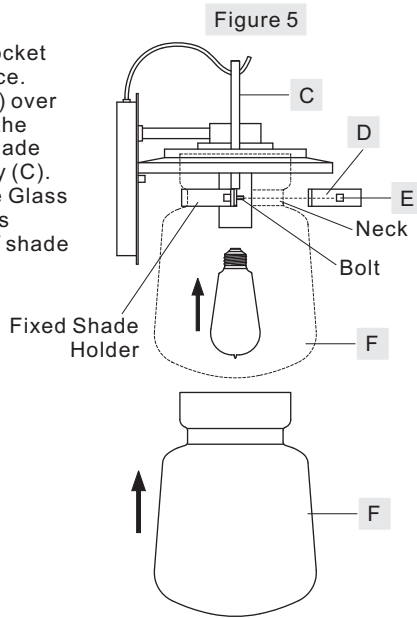
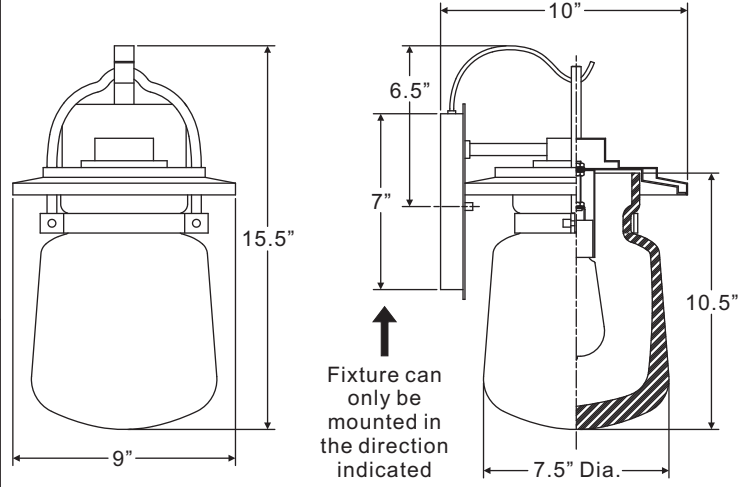
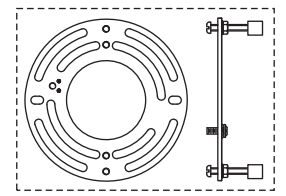


Figure 5

LLE8409WT
 FINISH: WESTERN BRONZE



NOTE: ALL DIMENSIONS ARE ROUNDED UP TO THE NEAREST 1/4"

STEP 6 – Apply Silicone Sealer

A. Make sure the exterior wall surface and fixture backplate are free of dirt before applying caulk. Using exterior grade caulk, caulk over top of backplate and down both sides. Do not caulk the bottom of the fixture backplate to ensure proper moisture drainage.

Your fixture is now assembled and ready to use. Enjoy!

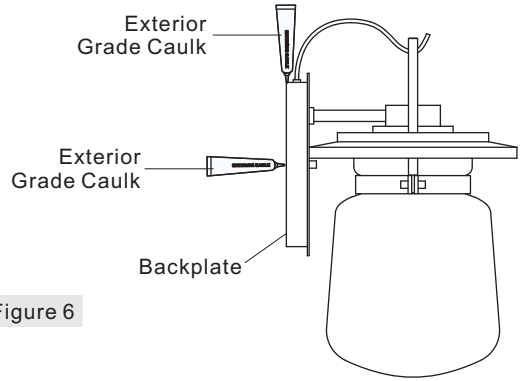


Figure 6

Thank you for purchasing a Quoizel product.
 Need assistance with parts or assembly? Call Quoizel customer service at 1-800-645-3184 or visit us on-line at www.quoise.com