

Please go to [www.quoizel.com](http://www.quoizel.com) for product cleaning tips. Go to the **Care + Maintenance** selection.

**Tools Required:** Flathead screwdriver, Phillips screwdriver, pliers, wire cutters, wire strippers, electrical tape, safety glasses.

**Light Source:** (1) A19 Medium Base Bulb 100W Maximum, Medium Base Vintage Bulb is recommended, bulb not included.

**Estimated Assembly Time:** 30-45 minutes

**Preparation:** Identify and inspect all parts before beginning installation. Check package content list and diagrams below to be sure all parts are present. If any parts are missing or damaged, do not attempt to assemble, install, or operate the fixture. Contact your original place of purchase.

**Note: This CONVERTIBLE fixture can be mounted as semi-flush light or pendant light. Refer to respective installation steps for installations.**

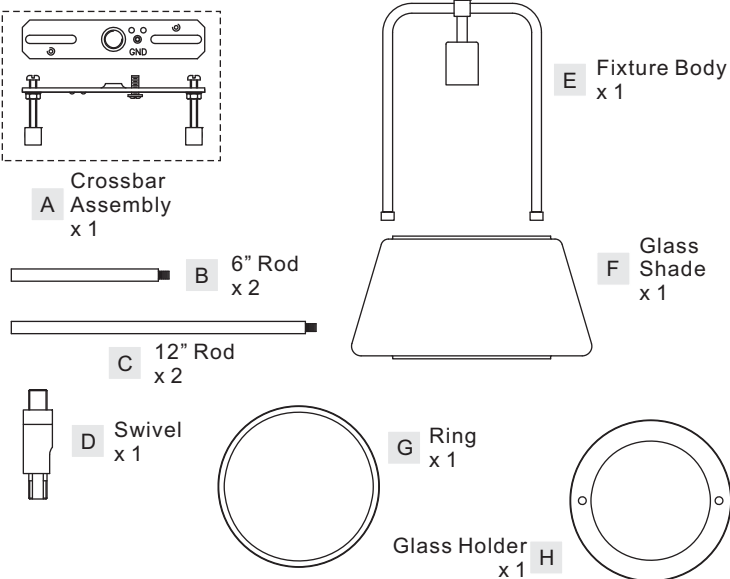
### ⚠ Warnings and Cautions

Turn off electricity at circuit breaker or main fuse box before installation. Consult a licensed electrician if in doubt.

These instructions are provided for your safety. It is very important you read them completely before installing the fixture. We strongly recommend that a licensed, professional electrician perform the installation.

Disconnect fixture from power source before replacing bulbs. Make sure bulbs are given sufficient time to cool before removal.

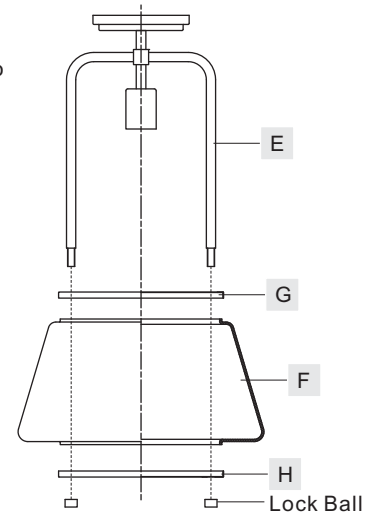
### Package Contents



### (Step 1A Continued)

- D. Place the Glass Shade (F) onto the Glass Holder (H) properly.
- E. Place the Ring (G) onto the top edge of the Glass Shade (F).

Figure 1A



### STEP 2A - Install Crossbar Assembly

- A. Attach the Crossbar Assembly (A) to the Outlet Box with the head of the Green Ground Screw facing you. Secure it with Outlet Box Screws (not included). Tighten until snug.

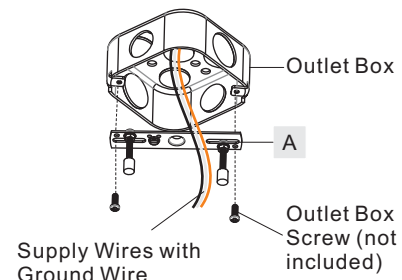
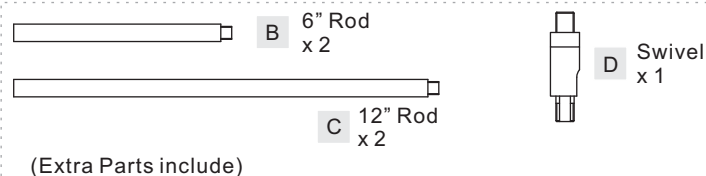


Figure 2A

### Assembly Instructions for Semi-flush Light (Step 1A - Step 6A)

The following parts will not be used in the assembly of the Semi-Flush Light fixture. Please set aside these parts.



### STEP 1A - Install Glass Shade to Fixture Body

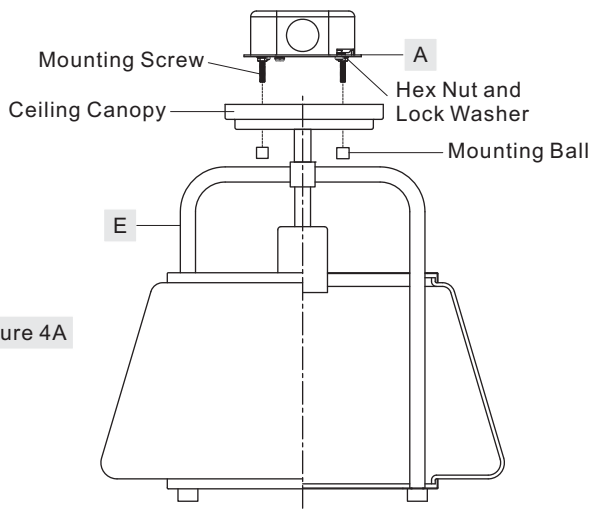
- A. Remove lock balls from the Fixture Body (E).
- B. Place the nipples on the end of the Fixture Body (E) through the Ring (G), the Glass Shade (F) and the holes on the Glass Holder (H) in turn.
- C. Thread previously removed lock balls back onto nipples and hand tighten until snug.

### Step 3A - Test Fit the Backplate to the Crossbar Assembly

- A. Remove the mounting balls from the Crossbar Assembly (A). Place the ceiling canopy and Fixture Body (E) onto the Crossbar Assembly (A) and secure with mounting balls. Note: The ceiling canopy should be snug against the ceiling and held tight with the mounting balls. If it is not, adjust the length of the mounting screws on the Crossbar Assembly (A) by unscrewing the preassembled hex nut and lock washer and then screwing the mounting screws in or out of the

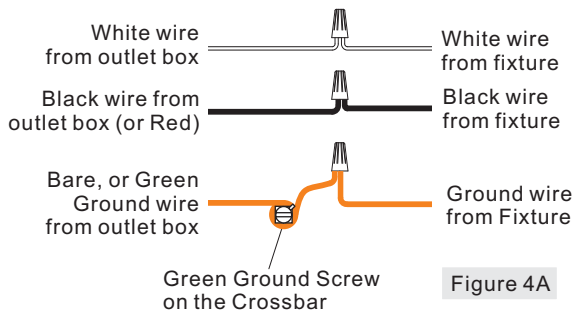
### (Step 3A Continued)

crossbar until the correct length is achieved. Once the ceiling canopy and Fixture Body (E) is secure, remove the mounting ball and Fixture Body (E) and proceed to Step 4A.



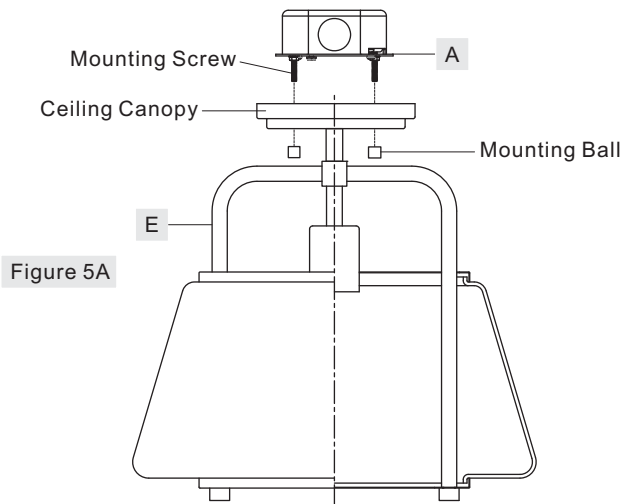
### STEP 4A - Wire Connections

- Wrap bare or green ground wire around green ground screw on the crossbar, no less than 2 inches from the end of the wire. Tighten the green ground screw.
- Use standard wire connectors (not included) to make all wire connections. Twist connectors until wires are tightly joined together. Wrap each connection with approved electrical tape and carefully stuff all the connected wires into the Outlet Box.



### Step 5A - Install the Fixture

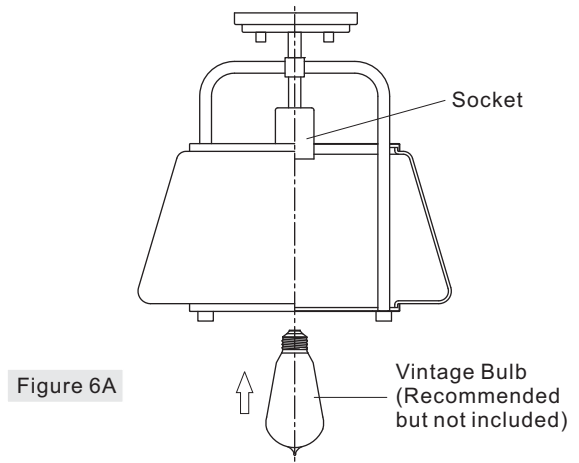
- Position the ceiling canopy and Fixture Body (E) onto the Crossbar Assembly (A). Place the holes in the ceiling canopy over the mounting screws. Secure by using the mounting balls and hand tighten the mounting balls until snug.



### Step 6A - Install Bulb

- Insert the bulb onto socket and screw snugly into place.

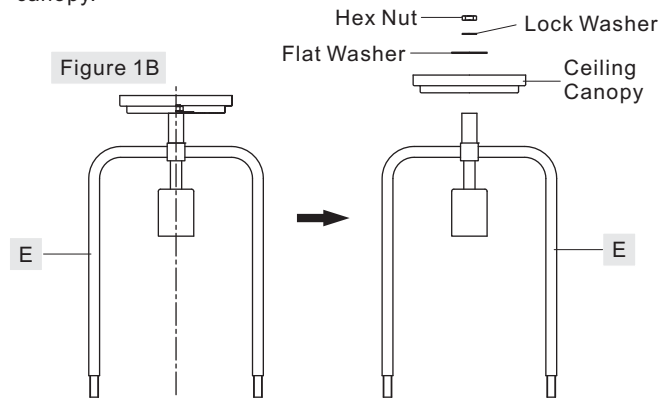
Your fixture is now assembled and ready to use. Enjoy!



## Assembly Instructions for Pendant Light (Step 1B - Step 9B)

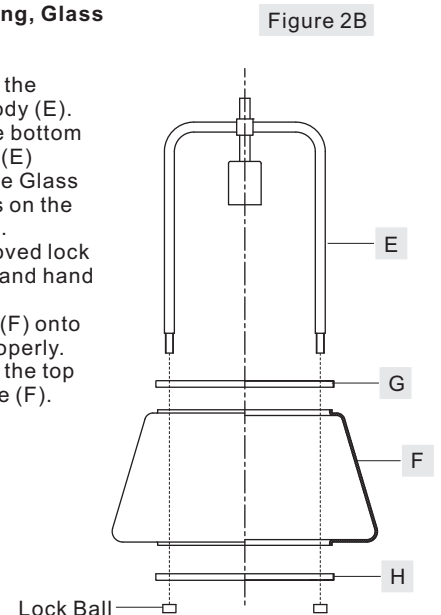
### STEP 1B - Remove Ceiling Canopy from Fixture Body

- Remove the ceiling canopy from the Fixture Body (E) by unlocking the hex nut, the lock washer and the flat washer inside of the ceiling canopy.



### STEP 2B - Install Coupling, Glass Shade to Fixture Body

- Remove lock balls from the bottom of the Fixture Body (E).
- Place the nipples on the bottom end of the Fixture Body (E) through the Ring (G), the Glass Shade (F) and the holes on the Glass Holder (H) in turn.
- Thread previously removed lock balls back onto nipples and hand tighten until snug.
- Place the Glass Shade (F) onto the Glass Holder (H) properly.
- Place the Ring (G) onto the top edge of the Glass Shade (F).



### STEP 3B – Install Ceiling Canopy to Swivel

A. Place the ceiling canopy, the flat washer and the lock washer onto the Swivel (D) as shown. Secure by threading previously removed hex nut onto the Swivel (D). Tighten until snug with pliers.

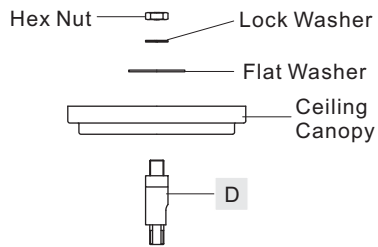


Figure 3B

### STEP 4B – Install Ceiling Canopy, Rods and Socket Assembly together

A. Determine the Rods (B/C) to be assembled to the coupling on the top center of the Fixture Body (E) according to your hanging height.  
 B. Pass the supply wires and ground wire through the chosen rods (B/C) and the Swivel (D). Thread the Fixture Body (E), the chosen Rods (B/C) and the Swivel (D) together. Hand Tighten until snug.

Suggested rods for Ceiling height :  
 8' ceiling : use (2) 12" rods  
 9' ceiling : use (2) 6" rods and (2) 12" rods

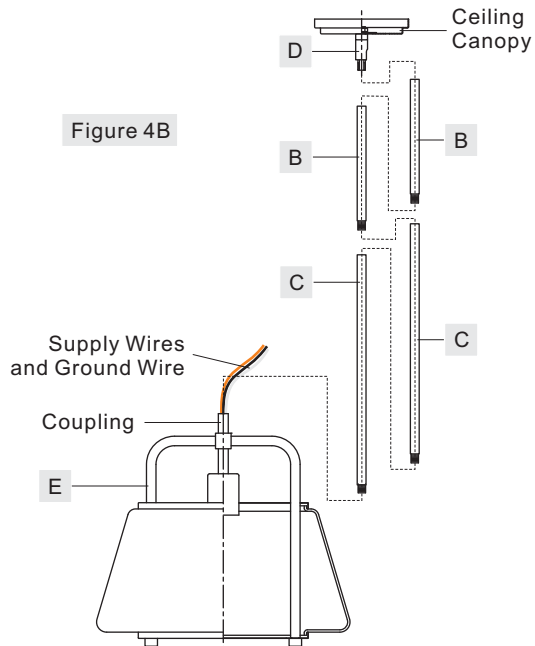


Figure 4B

### STEP 5B – Install Crossbar Assembly

A. Attach the Crossbar Assembly (A) to the Outlet Box with the head of the Green Ground Screw facing you. Secure it with Outlet Box Screws (not included). Tighten until snug.

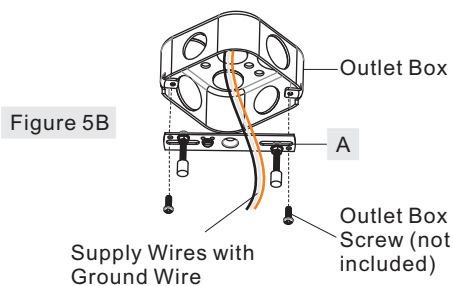


Figure 5B

### Step 6B - Test Fit the Backplate to the Crossbar Assembly

A. Remove the mounting balls from the Crossbar Assembly (A). Place the ceiling canopy onto the Crossbar Assembly (A) and secure with mounting balls. Note: The ceiling canopy should be snug against the ceiling and held tight with the mounting balls. If it is not, adjust the length of the mounting screws on the Crossbar Assembly (A) by unscrewing the preassembled hex nut and lock washer and then screwing the mounting screws in or out of the crossbar until the correct length is achieved. Once the ceiling canopy is secure, remove the mounting ball and ceiling canopy and proceed to Step 7B.

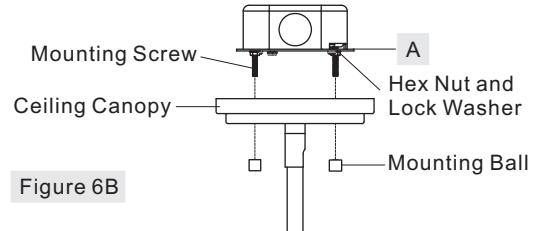


Figure 6B

### STEP 7B - Wire Connections

A. Wrap bare or green ground wire around green ground screw on the crossbar, no less than 2 inches from the end of the wire. Tighten the green ground screw.  
 B. Use standard wire connectors (not included) to make all wire connections. Twist connectors until wires are tightly joined together. Wrap each connection with approved electrical tape and carefully stuff all the connected wires into the Outlet Box.

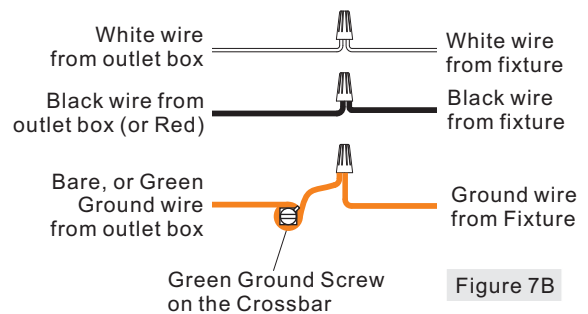


Figure 7B

### Step 8B - Install the Fixture

A. Position the ceiling canopy onto the Crossbar Assembly (A). Place the holes in the ceiling canopy over the mounting screws. Secure by using the mounting balls and hand tighten the mounting balls until snug.

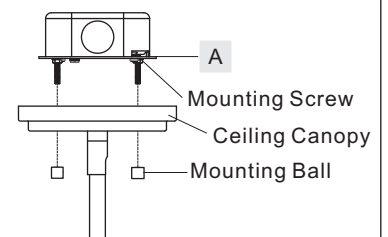


Figure 8B

### Step 9B - Install Bulb

A. Insert the bulb onto socket and screw snugly into place.

**Your fixture is now assembled and ready to use. Enjoy!**

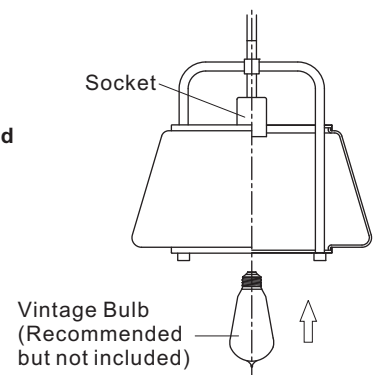
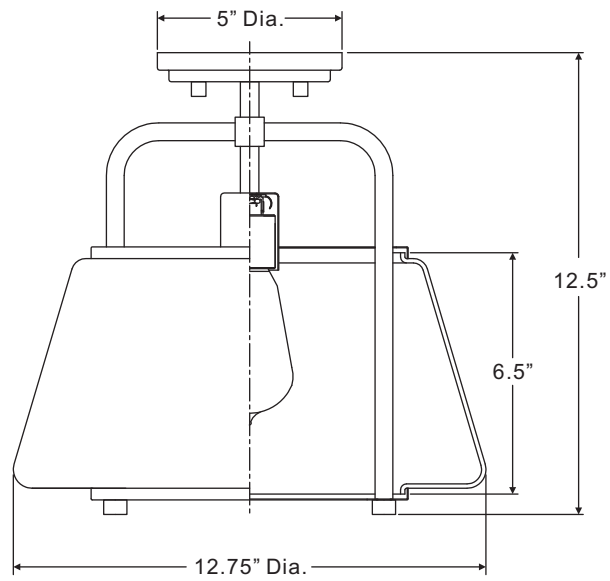
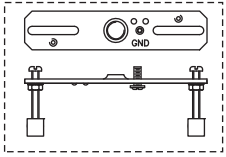


Figure 9B

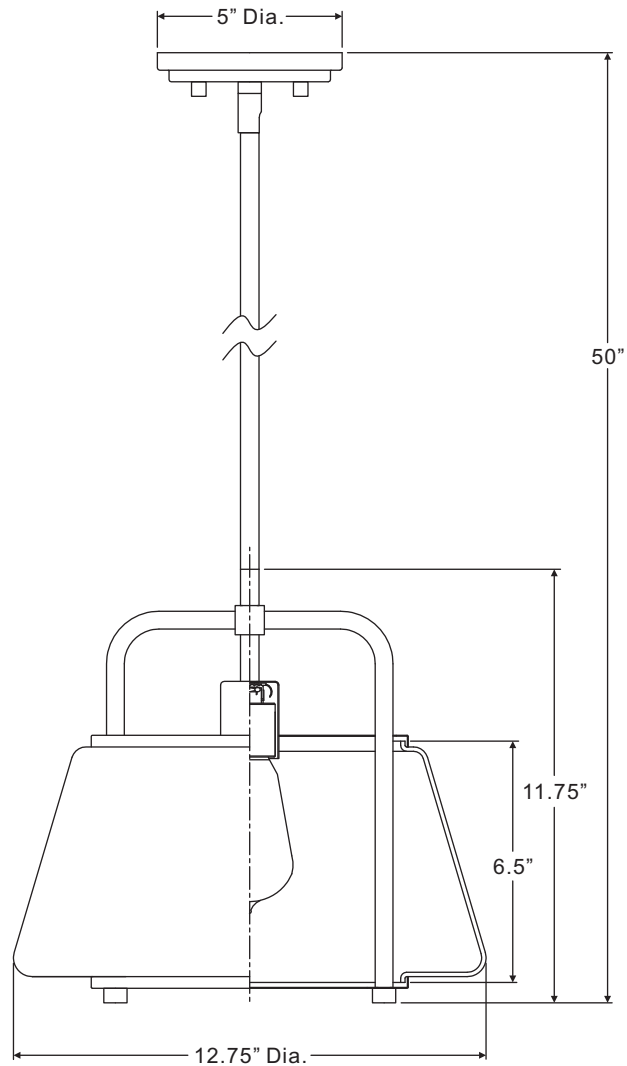
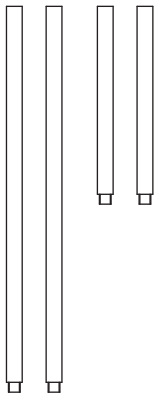
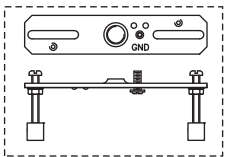
KTE1713EK

FINISH: EARTH BLACK

**SEMI-FLUSH LIGHT**



**PENDANT LIGHT**



NOTE: ALL DIMENSIONS ARE ROUNDED UP TO THE NEAREST 1/4"