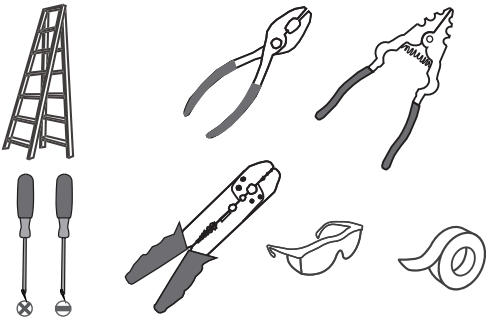
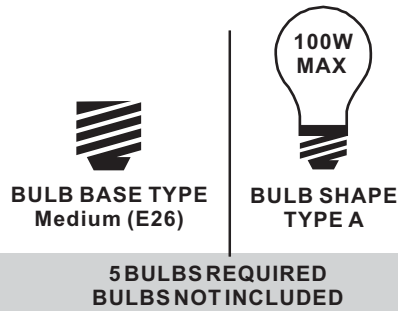


**Tools Required**



**Light Source**



**Fixture Height Adjustable 24" to 72"**

**Warnings and Cautions**

Turn off the electricity at the circuit breaker before installation. Consult a licensed electrician if in doubt about installation.

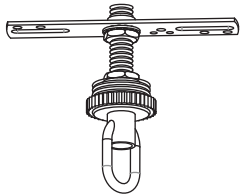
Turn off power to the fixture and allow the bulbs to cool before replacing.

**Package Contents**

**Preparation:** Identify and inspect all parts before beginning the installation.

Missing or damaged parts? Contact your original place of purchase.

**PARTS BAG**



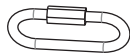
**A** Crossbar Assembly x 1



**B** Outlet Box Screw x 2



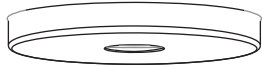
**C** Wire Connector x 3



**D** Quick Link x 2



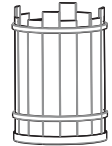
**E** Fixture Chain x 1



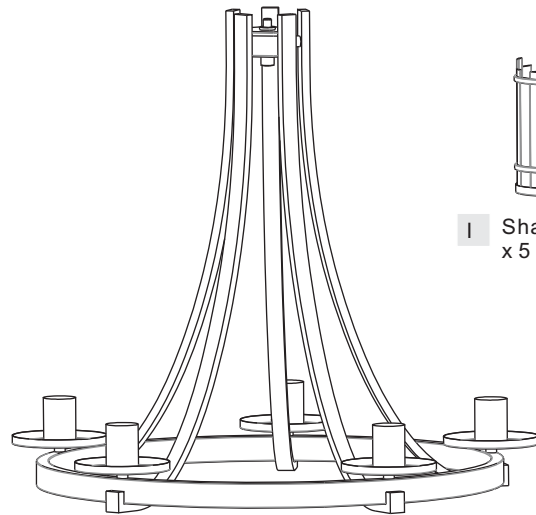
**F** Ceiling Canopy x 1



**G** Fixture Loop x 1



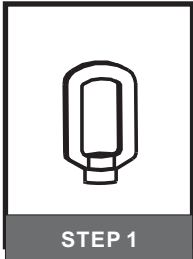
**I** Shade x 5



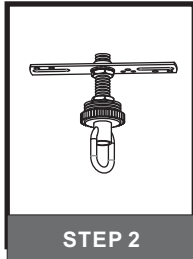
**H** Fixture Body x 1

**Table of Contents**

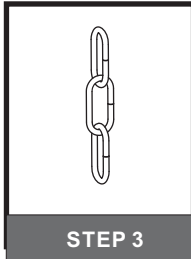
**Fixture Loop**



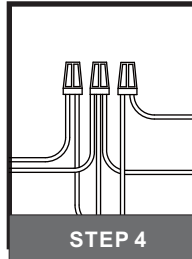
**Crossbar Assembly**



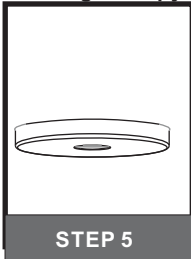
**Fixture Chain**



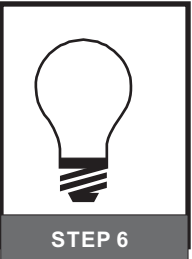
**Wiring**



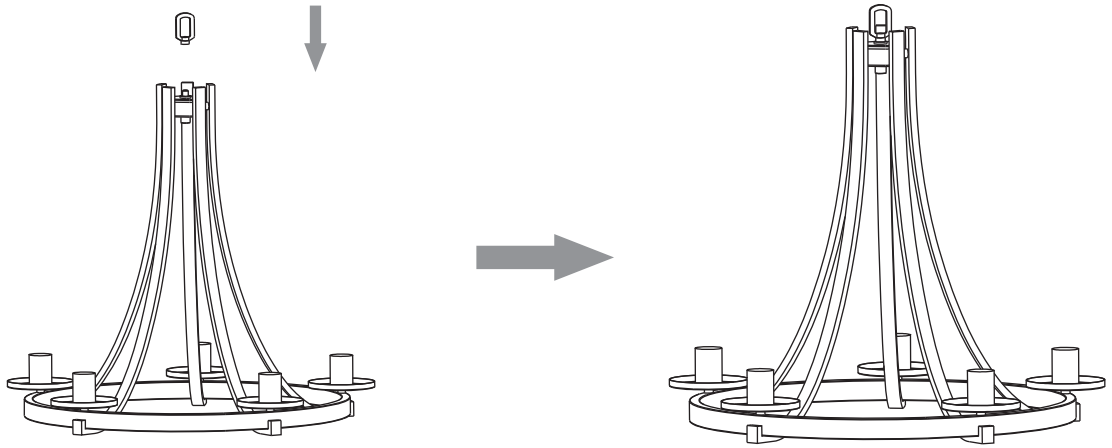
**Ceiling Canopy**



**Shade and Bulb**



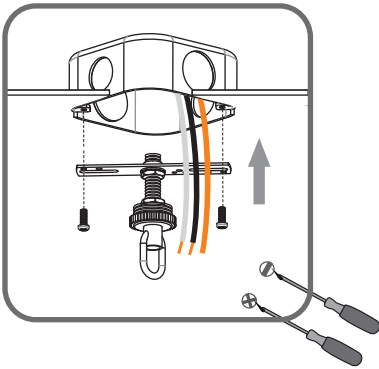
## STEP 1



## STEP 2

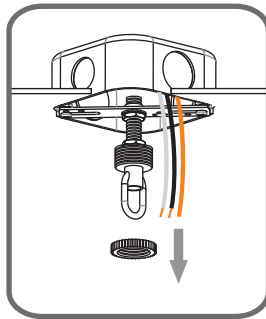
1

Step 1  
Install crossbar assembly

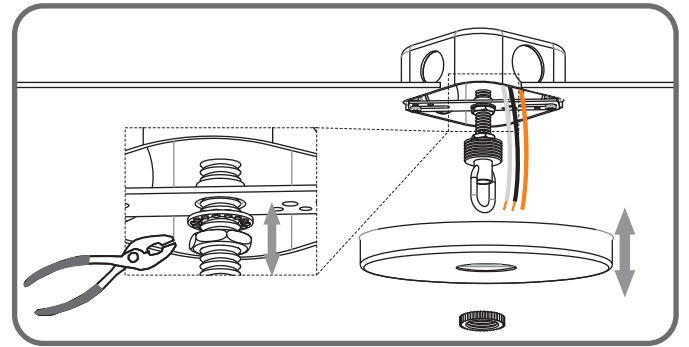


2

Step 2 - 3  
Test fitting ceiling canopy to nipple



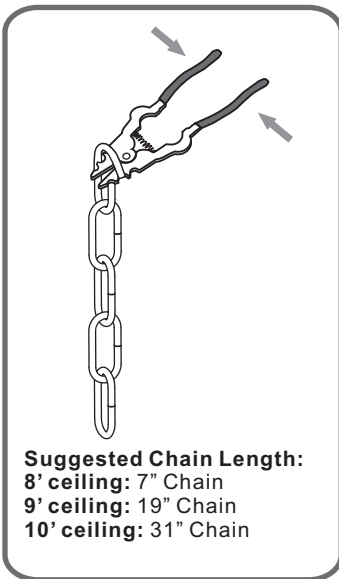
3



## STEP 3

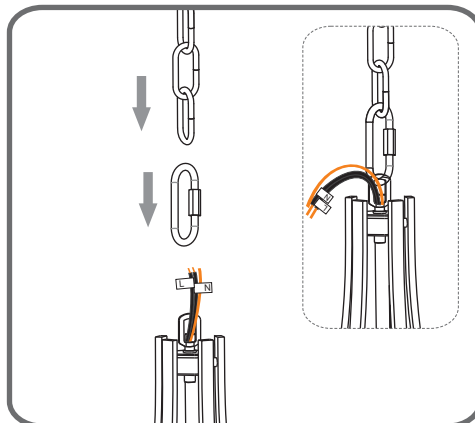
1

Step 1  
Adjust fixture chain length

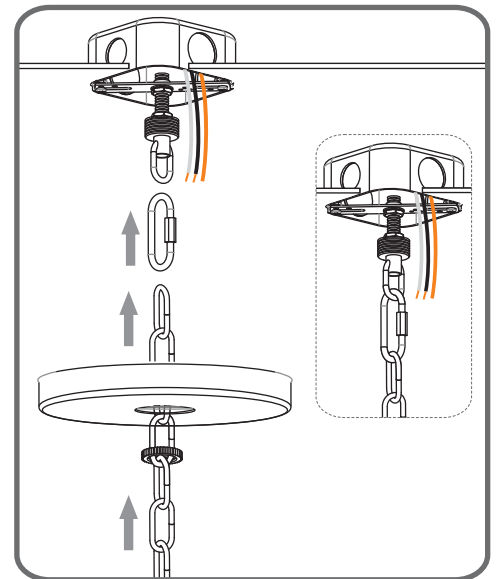


2

Step 2 - 3  
Install Fixture Chain



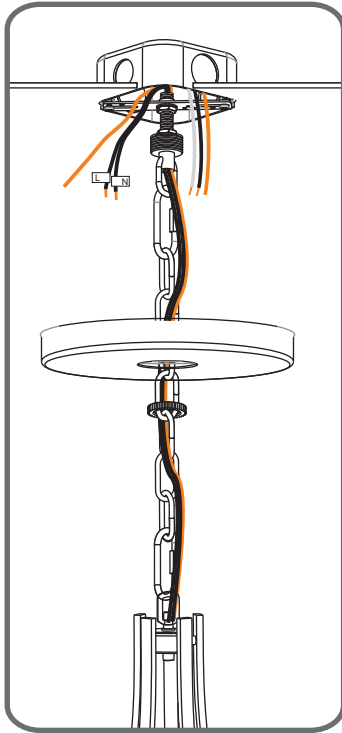
3



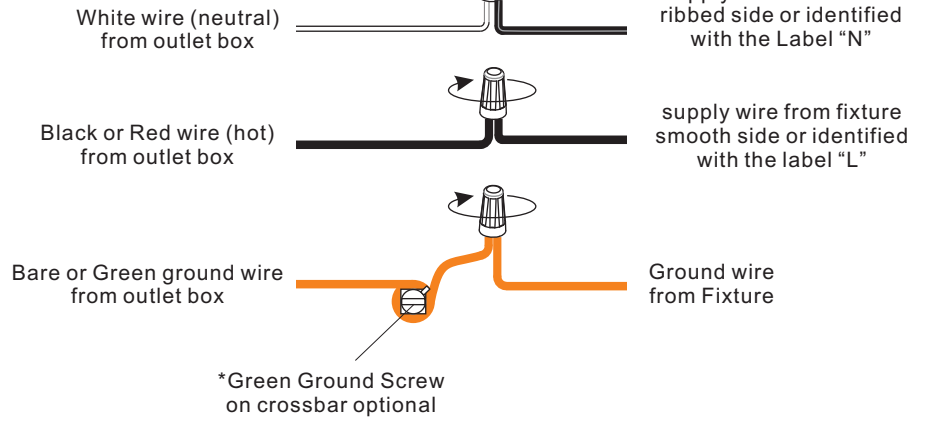
## STEP 4

1

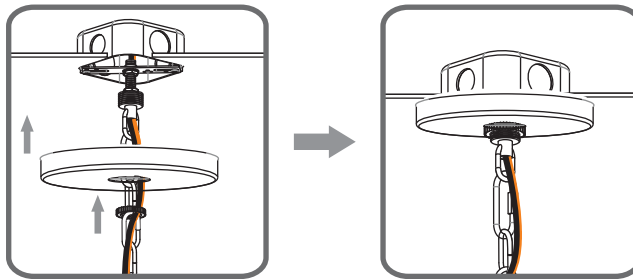
Step 1  
Feed the fixture wires  
through the loop



2



## STEP 5



## STEP 6

