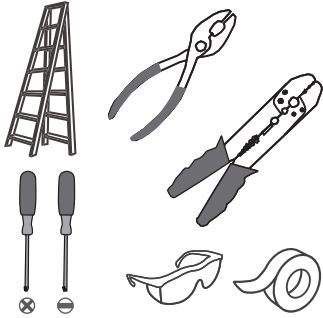
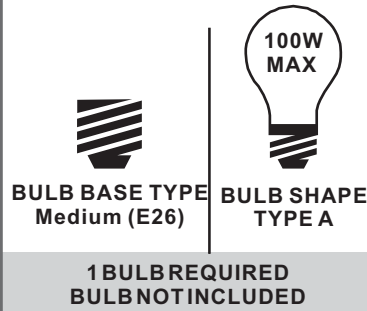


**Tools Required**



**Light Source**



**Warnings and Cautions**

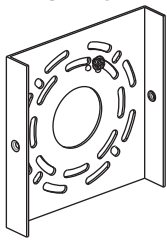
Turn off the electricity at the circuit breaker before installation. Consult a licensed electrician if in doubt about installation.

Turn off power to the fixture and allow the bulbs to cool before replacing.

**Package Contents**

**Preparation:** Identify and inspect all parts before beginning the installation. Missing or damaged parts? Contact your original place of purchase.

**PARTS BAG**

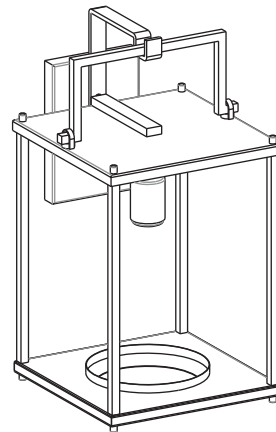


**A** Inner Backplate x 1

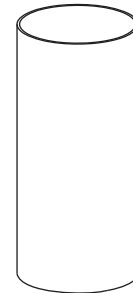
**B** Lock Screw x 2

**C** Outlet Box Screw x 2

**D** Wire Connector x 3



**E** Fixture Body x 1



**F** Glass x 1

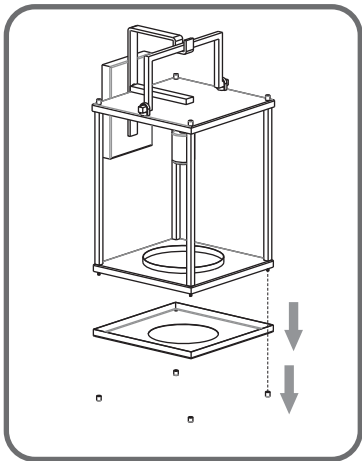
**Table of Contents**

Bulb & Glass	Inner Backplate	Wiring	Fixture Body	Caulk
<b>STEP 1</b>	<b>STEP 2</b>	<b>STEP 3</b>	<b>STEP 4</b>	<b>STEP 5</b>

# STEP 1

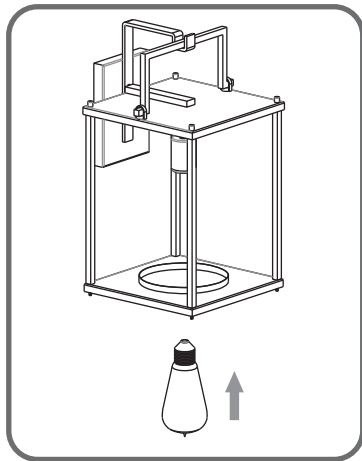
1

Remove Glass Holder



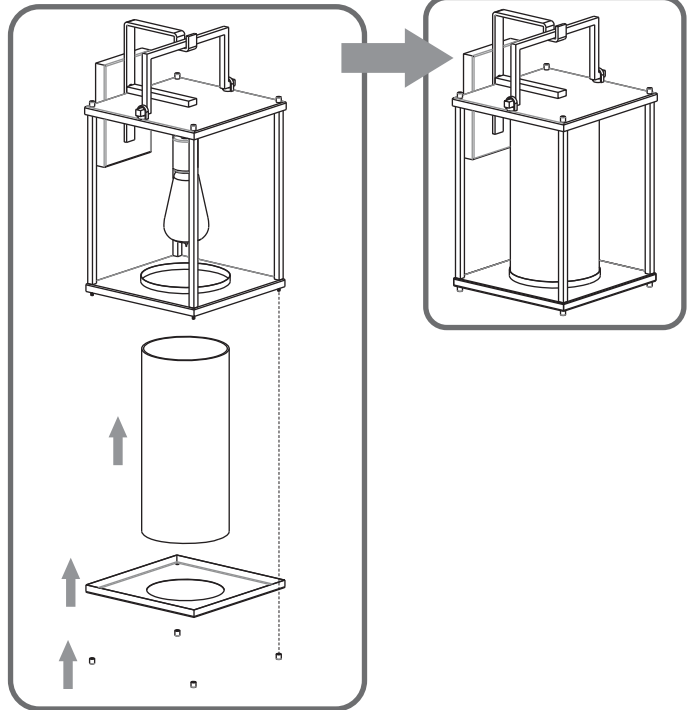
2

Install Bulb

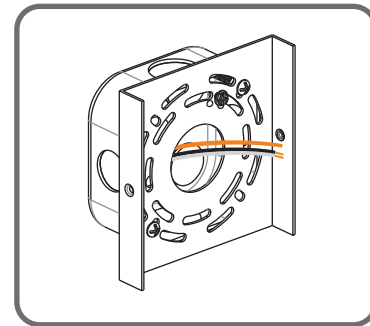
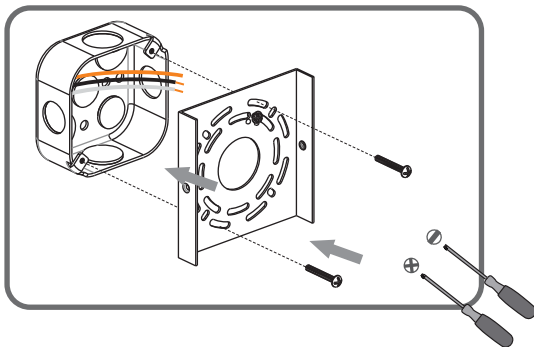


3

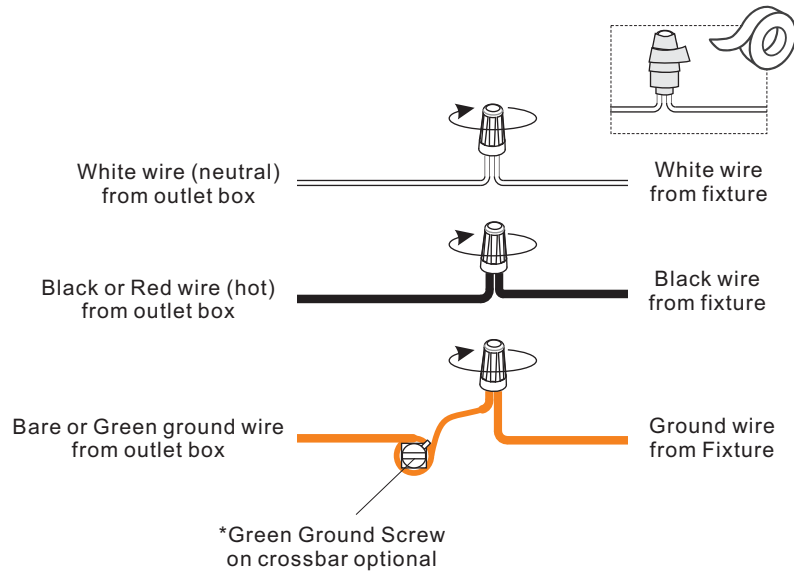
Install Glass and Glass Holder



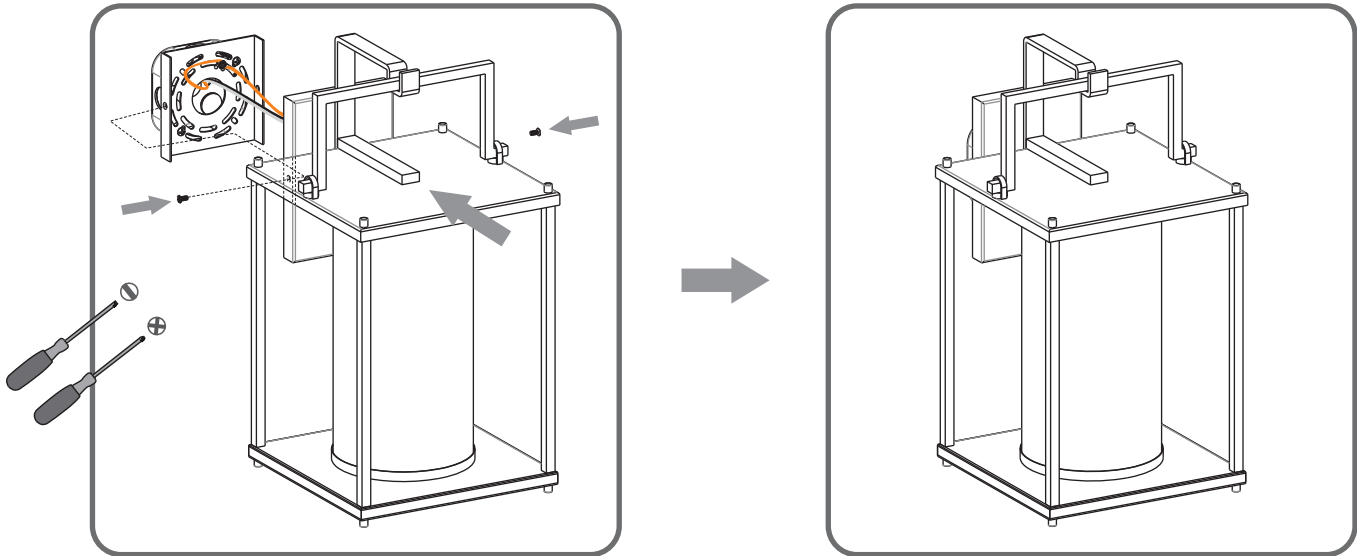
# STEP 2



### STEP 3



### STEP 4



### STEP 5

