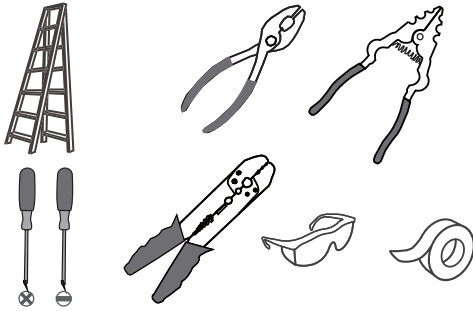
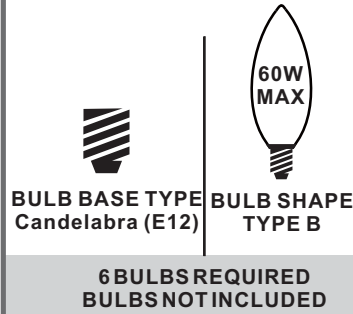


Tools Required



Light Source



Fixture Height Adjustable
33" to 129"

Warnings and Cautions

Turn off the electricity at the circuit breaker before installation. Consult a licensed electrician if in doubt about installation.

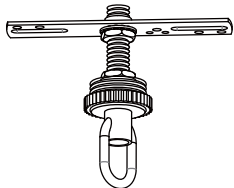
Turn off power to the fixture and allow the bulbs to cool before replacing.

Package Contents

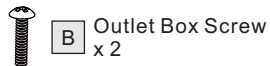
Preparation: Identify and inspect all parts before beginning the installation.

Missing or damaged parts? Contact your original place of purchase.

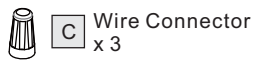
PARTS BAG



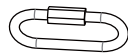
A Crossbar Assembly
x 1



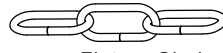
B Outlet Box Screw
x 2



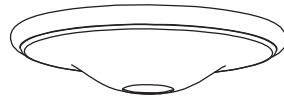
C Wire Connector
x 3



D Quick Link
x 2

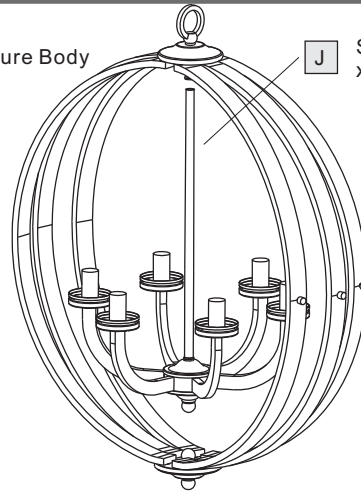


E Fixture Chain
x 1



F Ceiling Canopy
x 1

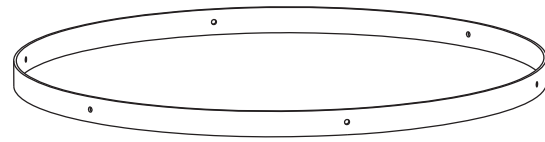
G Fixture Body
x 1



J Socket Assembly
x 1



H Shade
x 6

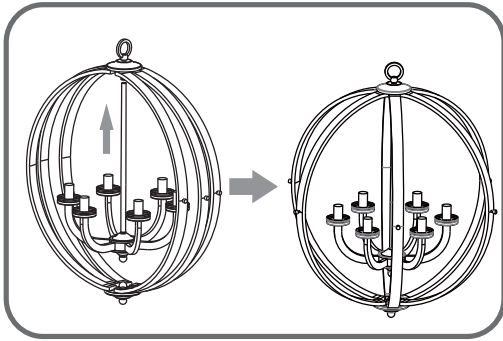


I Ring
x 1

Table of Contents

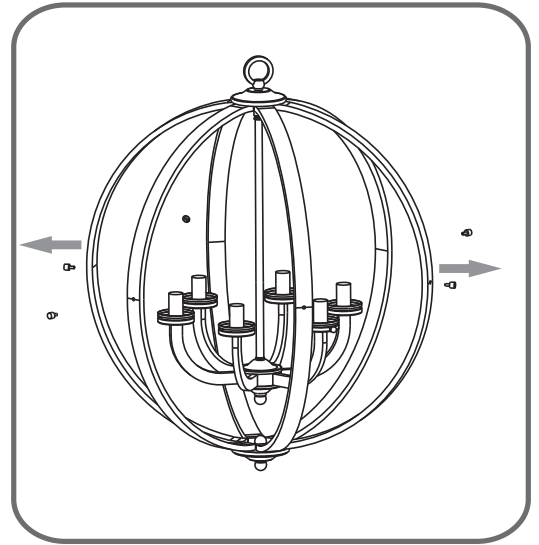
Fixture Body	Crossbar Assembly	Fixture Chain	Wiring	Ceiling Canopy	Bulb
STEP 1	STEP 2	STEP 3	STEP 4	STEP 5	STEP 6

STEP 1

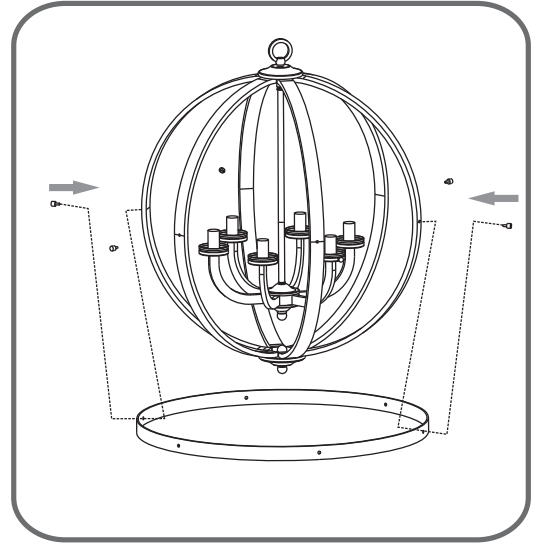


1

2



3



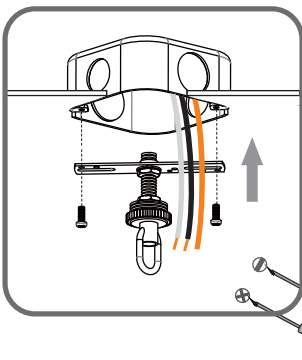
STEP 2

1

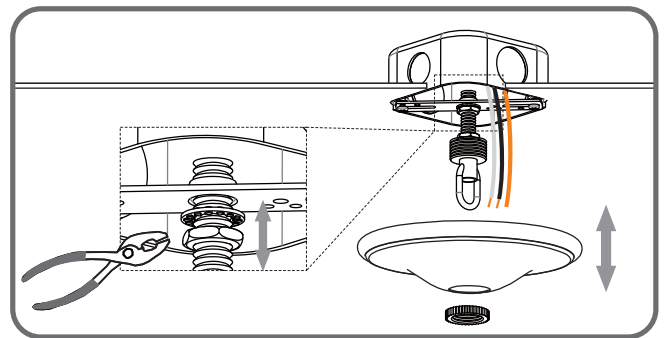
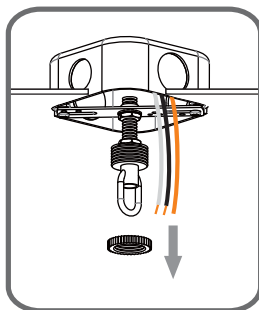
2

3

Step 1
Install crossbar assembly



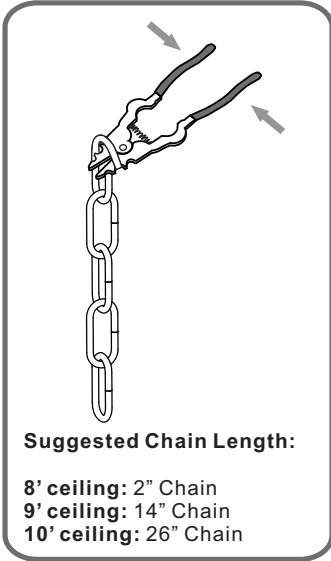
Step 2 - 3
Test fitting ceiling canopy to nipple



STEP 3

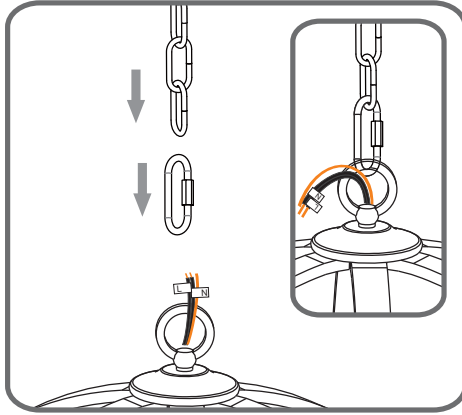
1

Step 1
Adjust fixture chain length

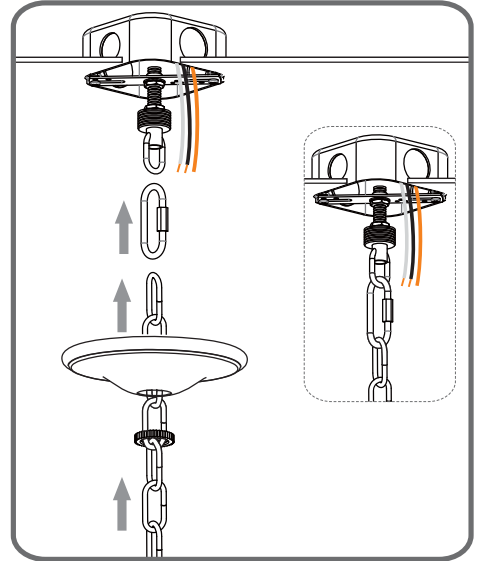


2

Step 2 - 3
Install Fixture Chain



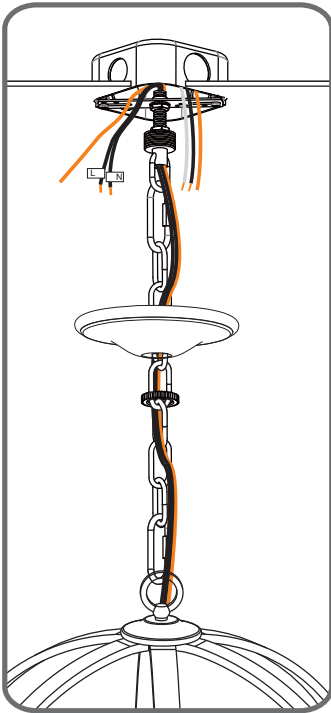
3



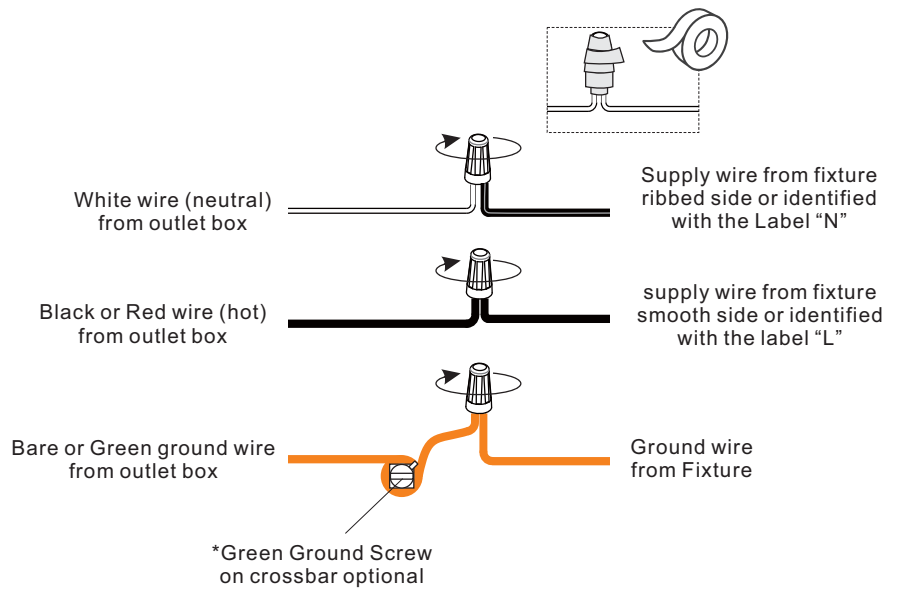
STEP 4

1

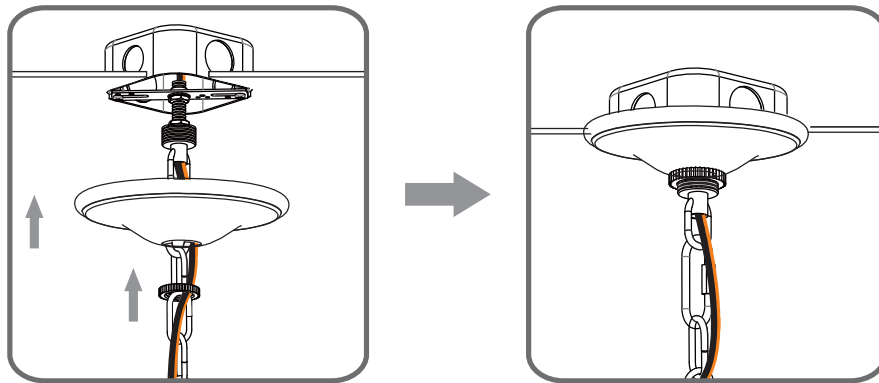
Step 1
Feed the fixture wires through the loop



2



STEP 5



STEP 6

