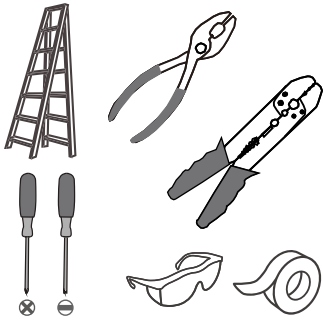
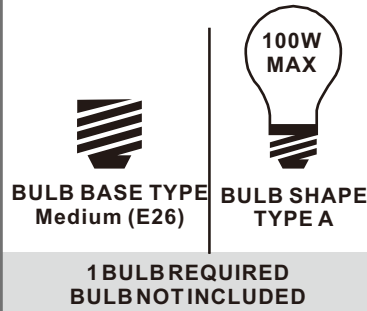


**Tools Required**



**Light Source**



**Warnings and Cautions**

Turn off the electricity at the circuit breaker before installation. Consult a licensed electrician if in doubt about installation.

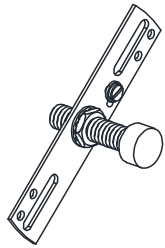
Turn off power to the fixture and allow the bulbs to cool before replacing.

**Package Contents**

**Preparation:** Identify and inspect all parts before beginning the installation.

Missing or damaged parts? Contact your original place of purchase.

**PARTS BAG**



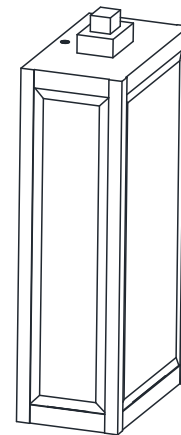
**A** Crossbar Assembly  
x 1



**B** Outlet Box Screw  
x 2



**C** Wire Connector  
x 3



**D** Fixture Body  
x 1

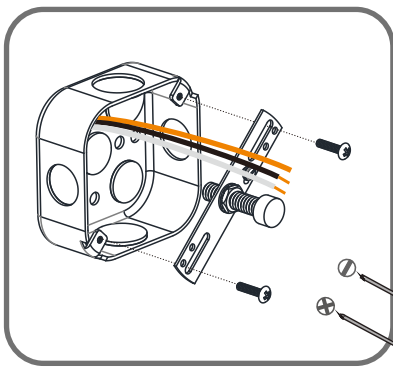
**Table of Contents**

Crossbar Assembly	Wiring	Backplate	Bulb	Cage
<b>STEP 1</b>	<b>STEP 2</b>	<b>STEP 3</b>	<b>STEP 4</b>	<b>STEP 5</b>

**STEP 1**

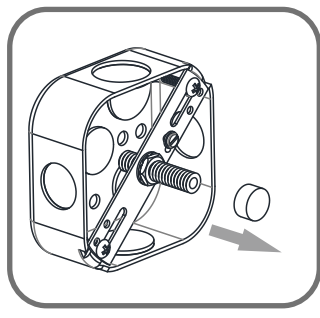
1

**Install Crossbar Assembly**



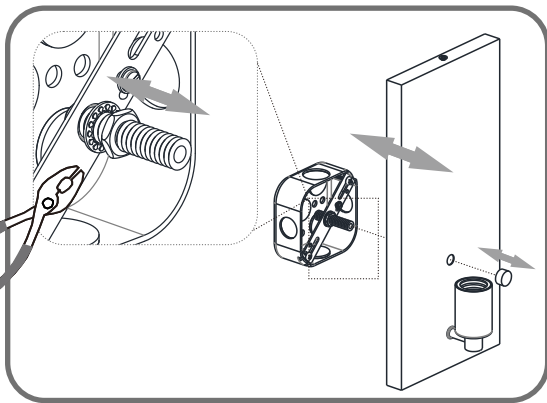
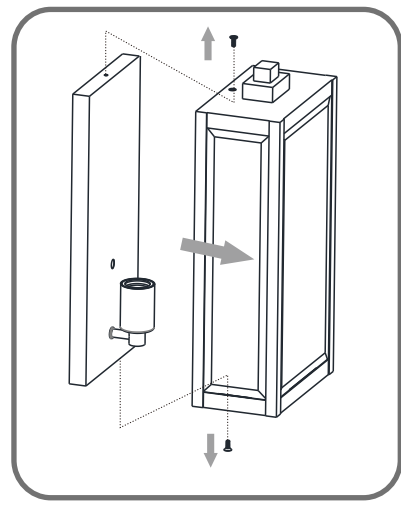
2

**Remove Lock Ball**



3

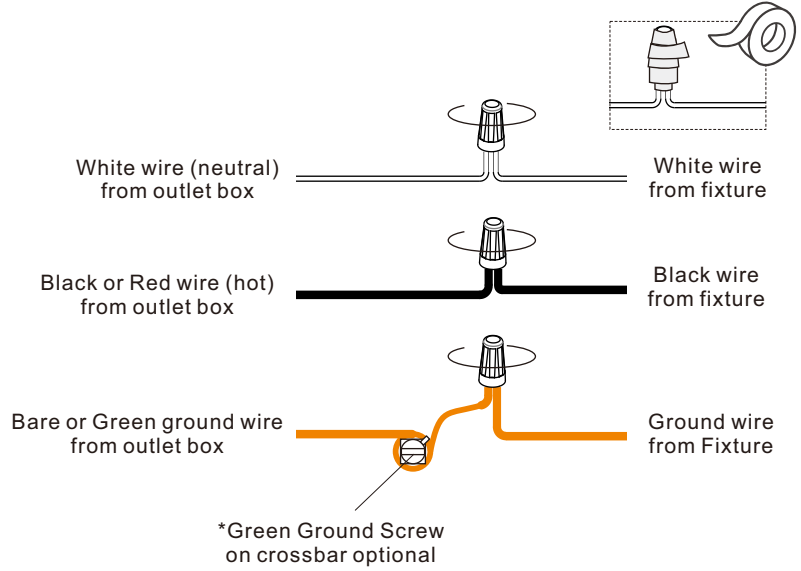
**Remove Cage From Backplate**



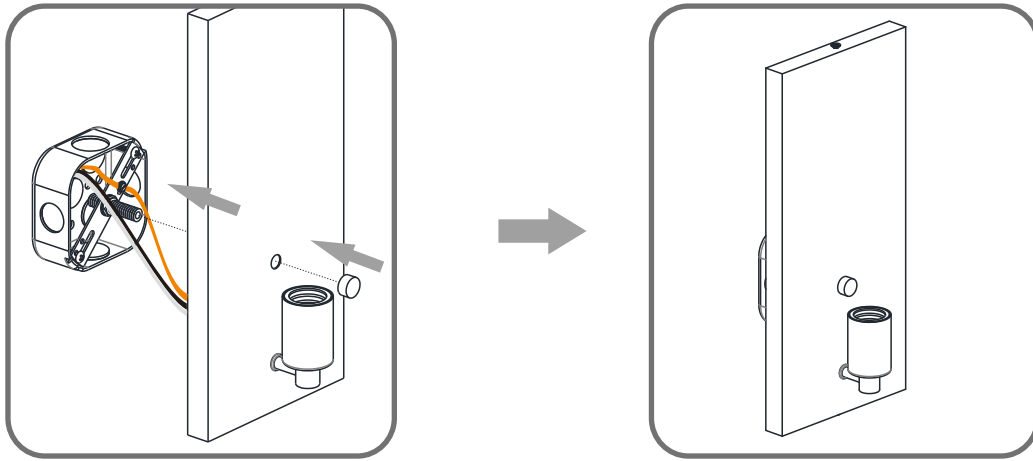
**Test Fitting Backplate to Nipple**

4

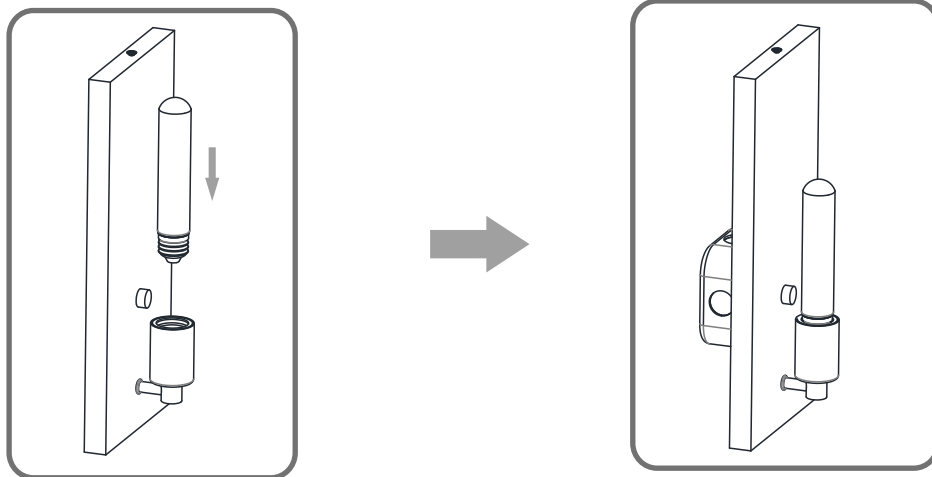
**STEP 2**



**STEP 3**



**STEP 4**



**STEP 5**

