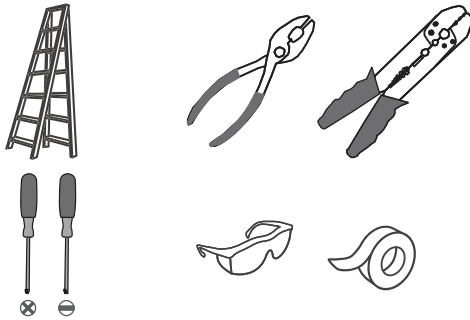
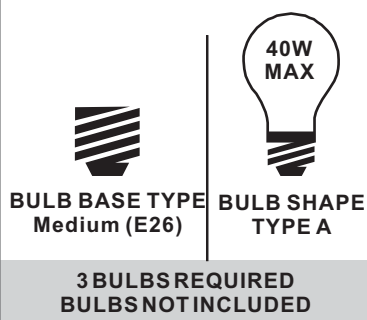


Tools Required



Light Source



Warnings and Cautions

Turn off the electricity at the circuit breaker before installation. Consult a licensed electrician if in doubt about installation.

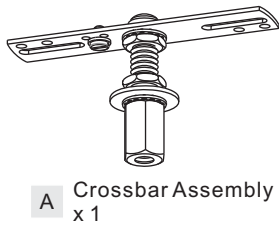
Turn off power to the fixture and allow the bulbs to cool before replacing.

Package Contents

Preparation: Identify and inspect all parts before beginning the installation.

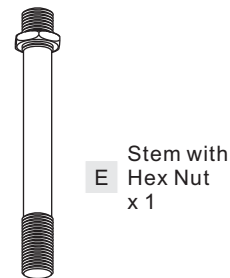
Missing or damaged parts? Contact your original place of purchase.

PARTS BAG



- B Outlet Box Screw x 2
- C Wire Connector x 3

- D Lock Washer x 1



- F Hex Nut x 1

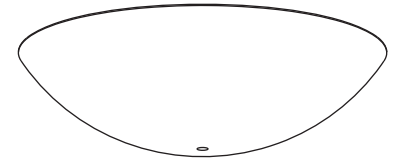
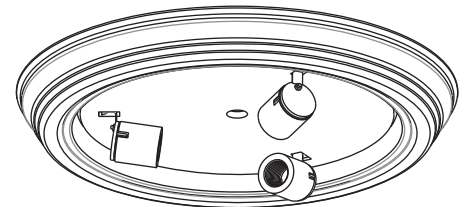
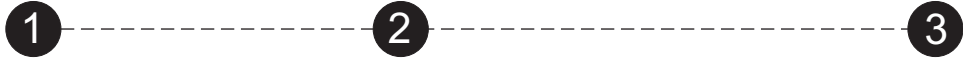


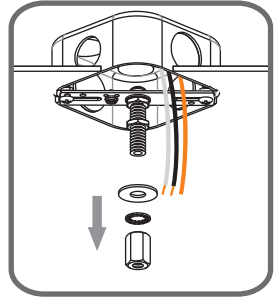
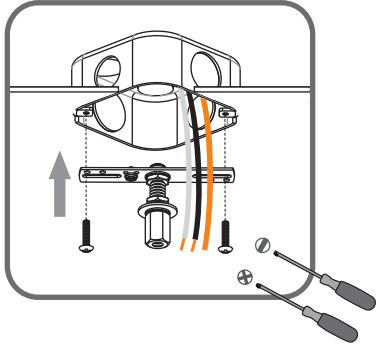
Table of Contents

Crossbar Assembly	Wiring	Ceiling Canopy	Stem with Hex Nut	Bulb	Shade
STEP 1	STEP 2	STEP 3	STEP 4	STEP 5	STEP 6

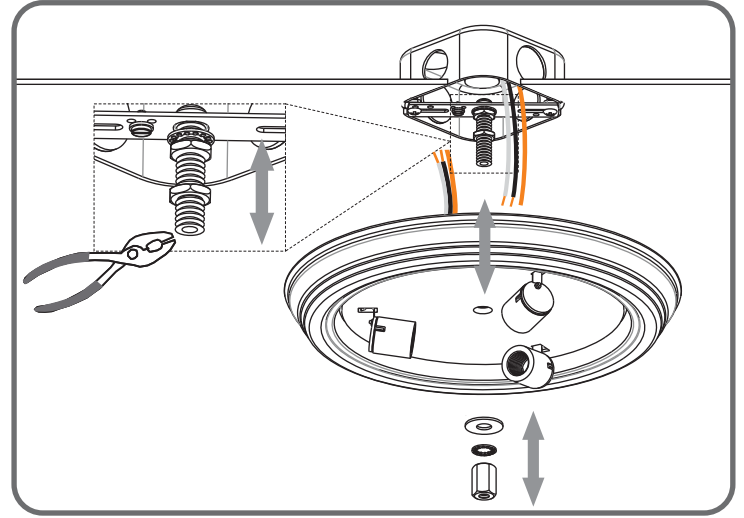
STEP 1



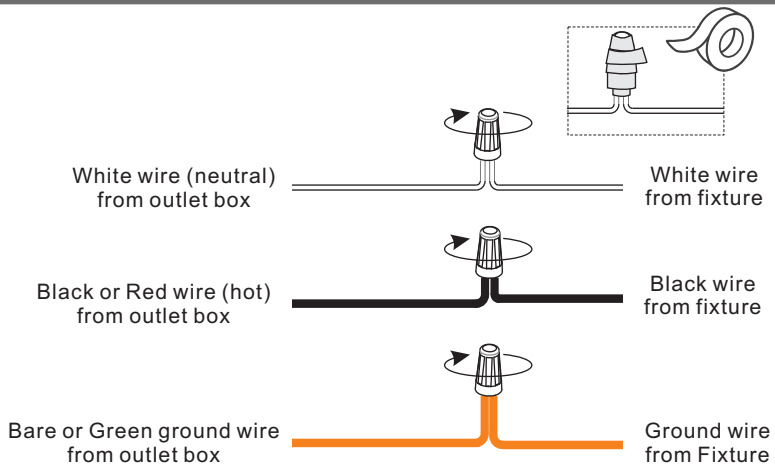
Step 1
Install crossbar assembly



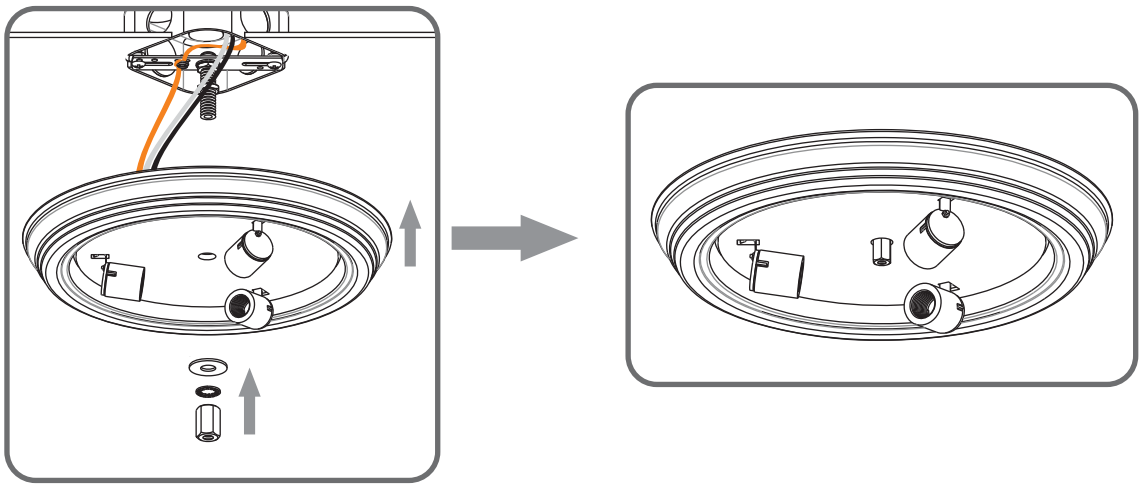
Step 2 - 3
Test fitting ceiling canopy to nipple



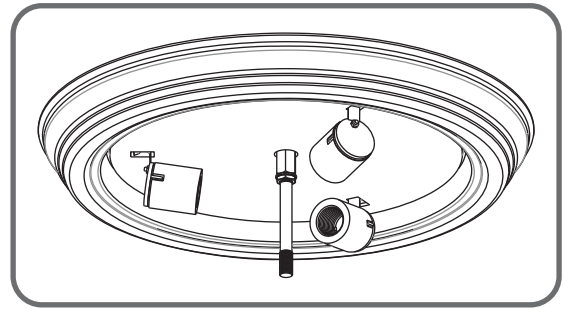
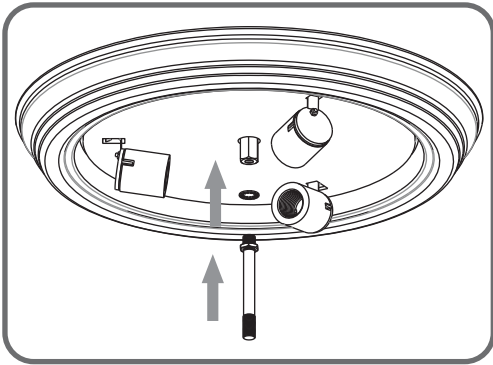
STEP 2



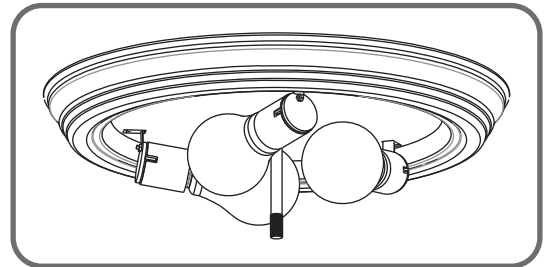
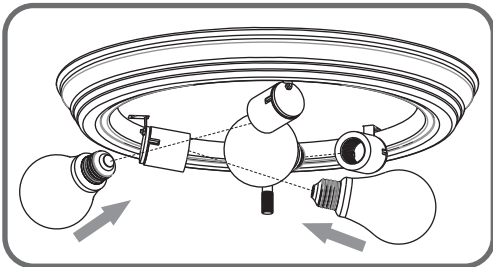
STEP 3



STEP 4



STEP 5



STEP 6

