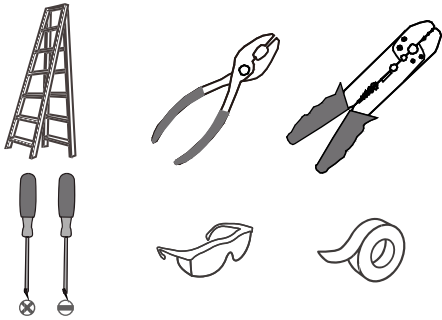
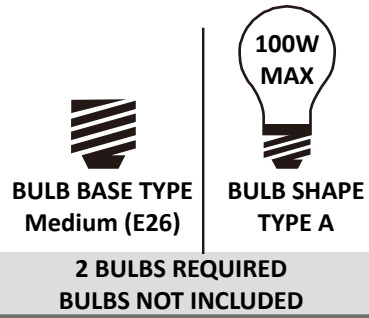


Tools Required



Light Source



Warnings and Cautions

Turn off the electricity at the circuit breaker before installation. Consult a licensed electrician if in doubt about installation.

Turn off power to the fixture and allow the bulbs to cool before replacing.

Package Contents

Preparation: Identify and inspect all parts before beginning the installation.

Missing or damaged parts? Contact your original place of purchase.

PARTS BAG

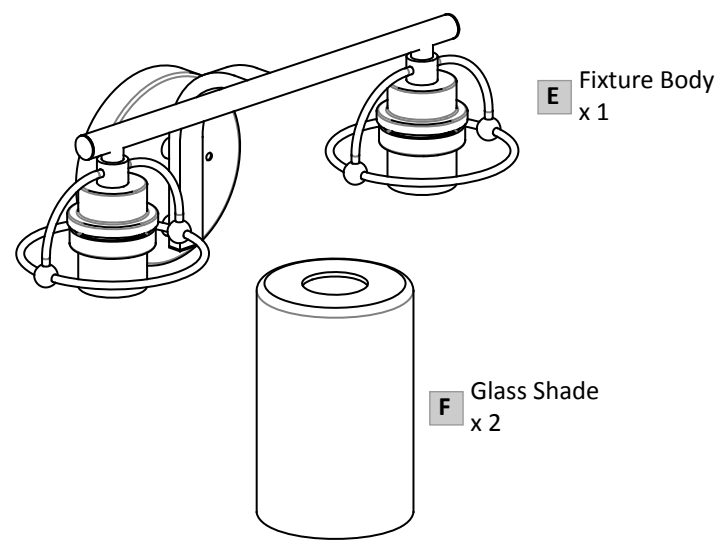
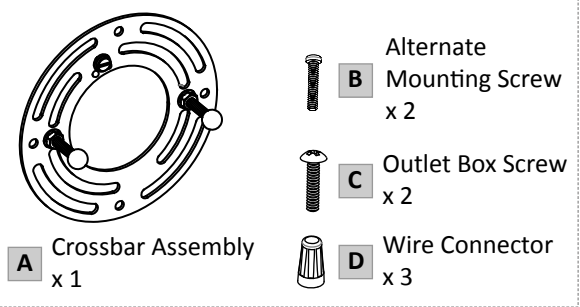

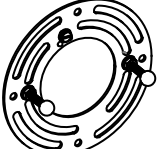
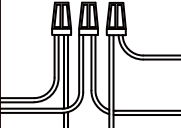
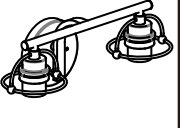
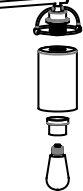
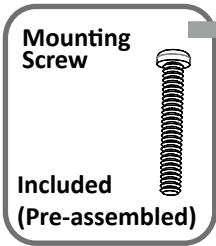


Table of Contents

| Alternate Mounting Screw | Crossbar Assembly | Wiring | Fixture Body | Glass Shade & Bulb |
|---|---|---|--|---|
|  |  |  |  |  |
| STEP 1 | STEP 2 | STEP 3 | STEP 4 | STEP 5 |

STEP 1

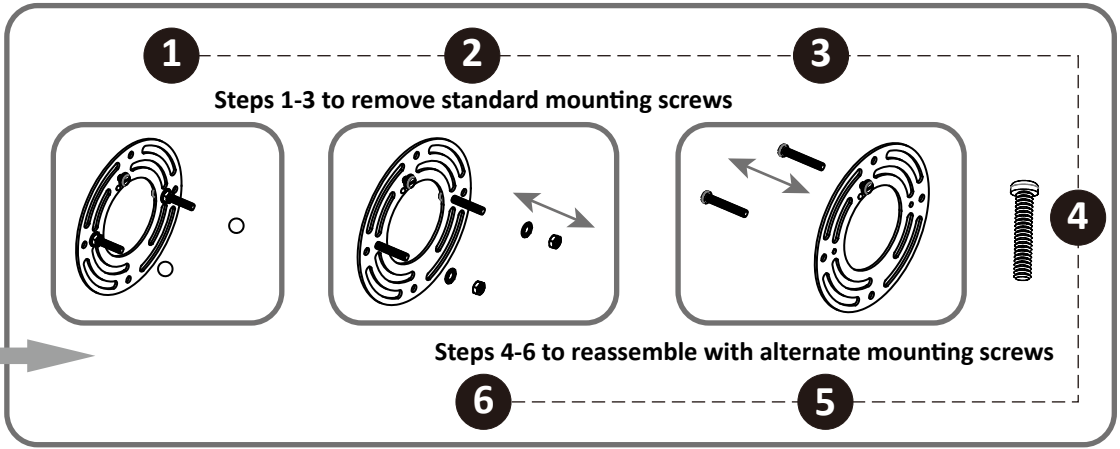
OPTION 1



OPTION 2



Skip to next step

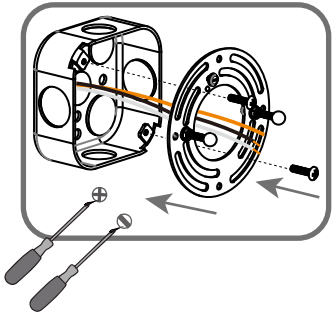


STEP 2

1

Step 1

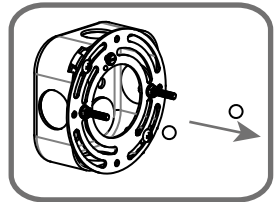
Install crossbar assembly



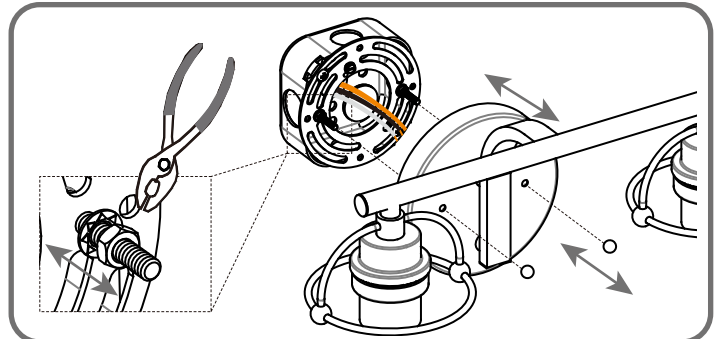
2

Step 2-3

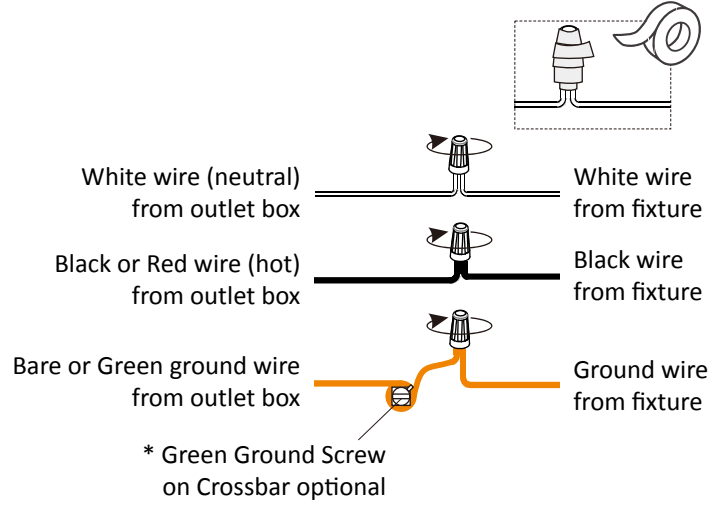
Tes fitting backplate to mounting screws



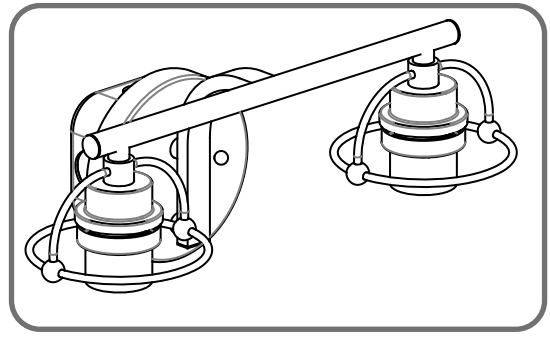
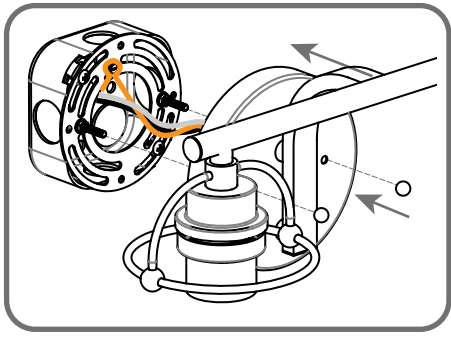
3



STEP 3



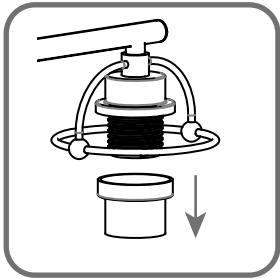
STEP 4



STEP 5

1

Remove socket collar



2

Install glass shade and bulb

