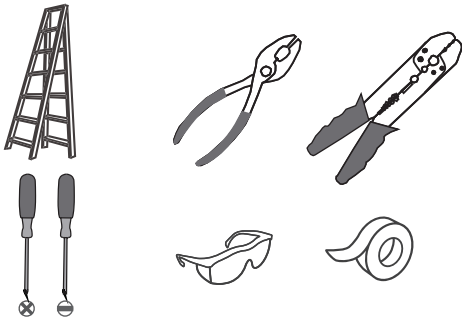
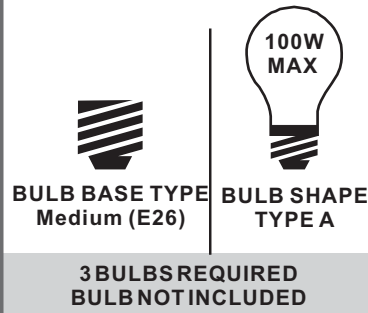


Tools Required



Light Source



Warnings and Cautions

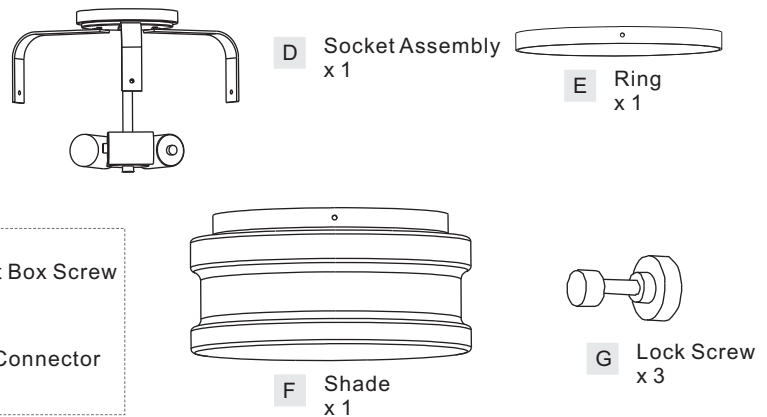
Turn off the electricity at the circuit breaker before installation. Consult a licensed electrician if in doubt about installation.

Turn off power to the fixture and allow the bulbs to cool before replacing.

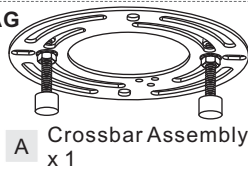
Package Contents

Preparation: Identify and inspect all parts before beginning the installation.

Missing or damaged parts? Contact your original place of purchase.



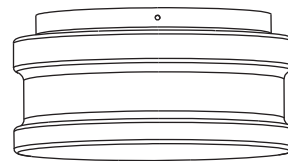
PARTS BAG



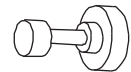
B Outlet Box Screw x 2



C Wire Connector x 3



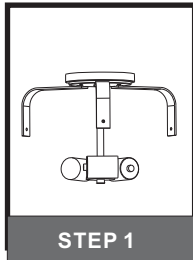
F Shade x 1



G Lock Screw x 3

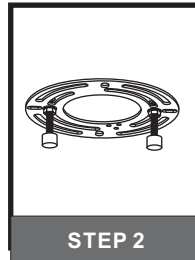
Table of Contents

Socket Assembly



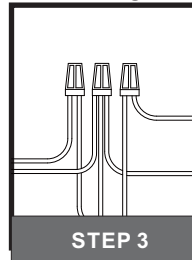
STEP 1

Crossbar Assembly



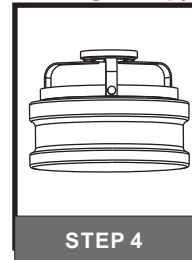
STEP 2

Wiring



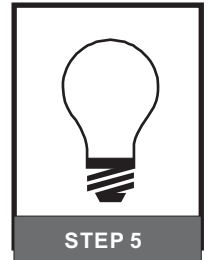
STEP 3

Ceiling Canopy



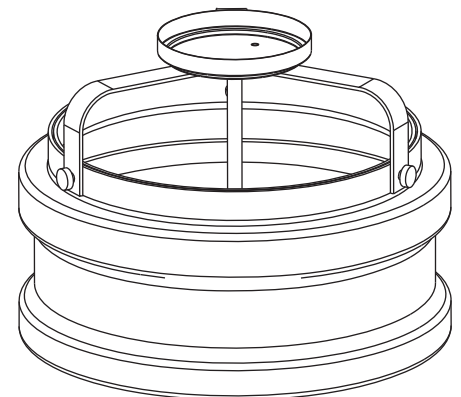
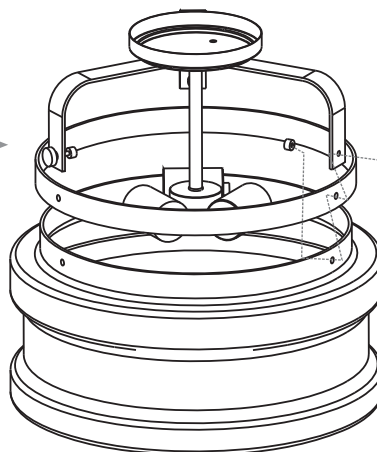
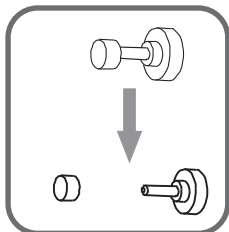
STEP 4

Bulb



STEP 5

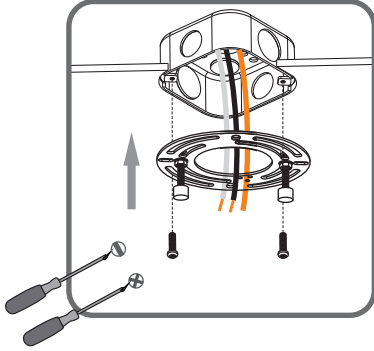
STEP 1



STEP 2

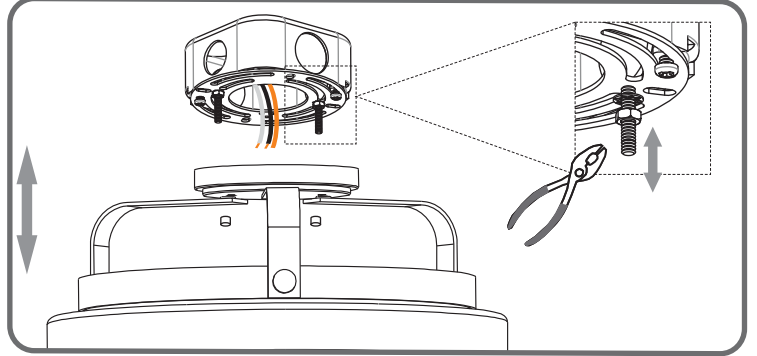
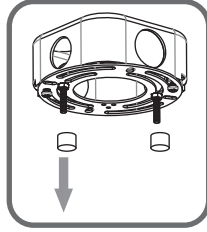
1

Step 1
Install crossbar assembly

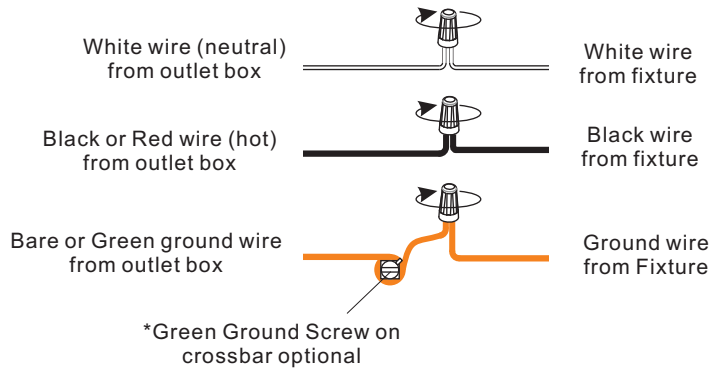


2

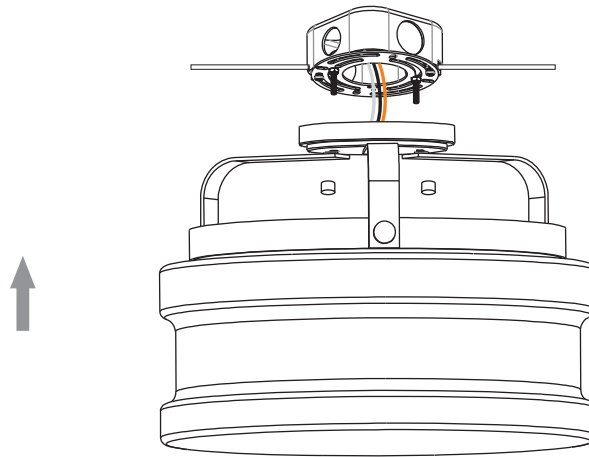
Step 2 - 3
Test fitting ceiling canopy to
mounting screws



STEP 3



STEP 4



STEP 5

