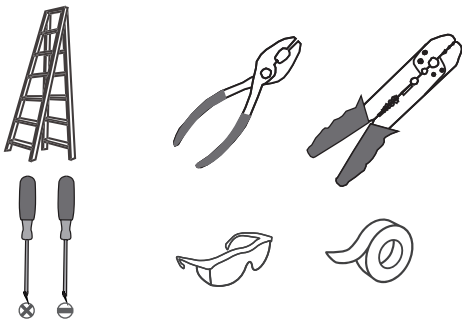
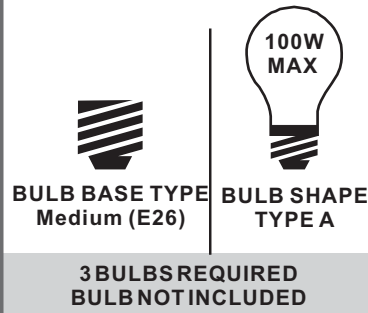


**Tools Required**



**Light Source**



**Warnings and Cautions**

Turn off the electricity at the circuit breaker before installation. Consult a licensed electrician if in doubt about installation.

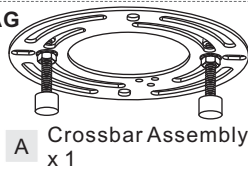
Turn off power to the fixture and allow the bulbs to cool before replacing.

**Package Contents**

**Preparation:** Identify and inspect all parts before beginning the installation.

Missing or damaged parts? Contact your original place of purchase.

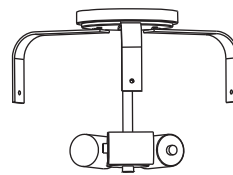
**PARTS BAG**



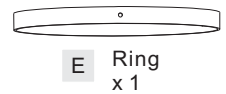
**B** Outlet Box Screw x 2



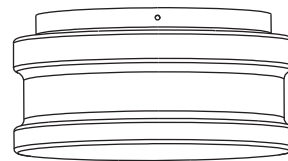
**C** Wire Connector x 3



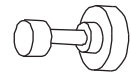
**D** Socket Assembly x 1



**E** Ring x 1



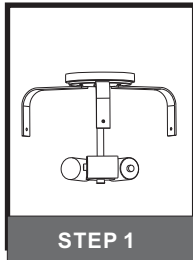
**F** Shade x 1



**G** Lock Screw x 3

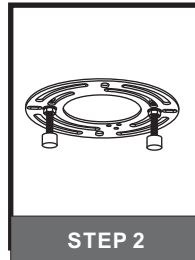
**Table of Contents**

**Socket Assembly**



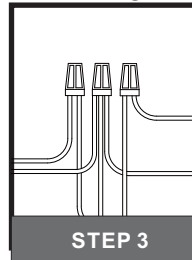
STEP 1

**Crossbar Assembly**



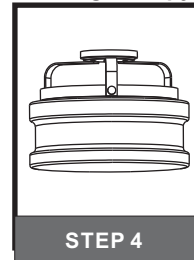
STEP 2

**Wiring**



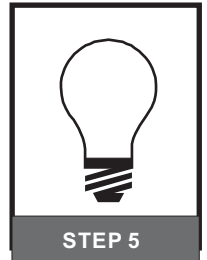
STEP 3

**Ceiling Canopy**



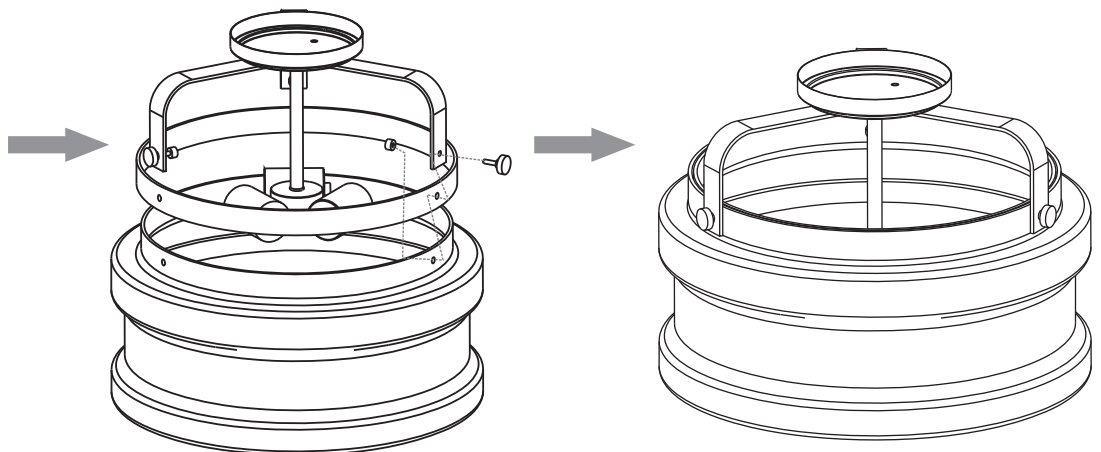
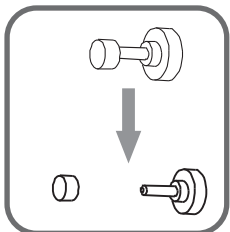
STEP 4

**Bulb**



STEP 5

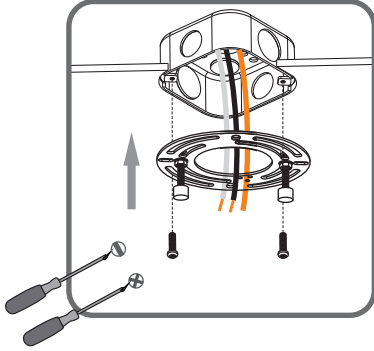
**STEP 1**



## STEP 2

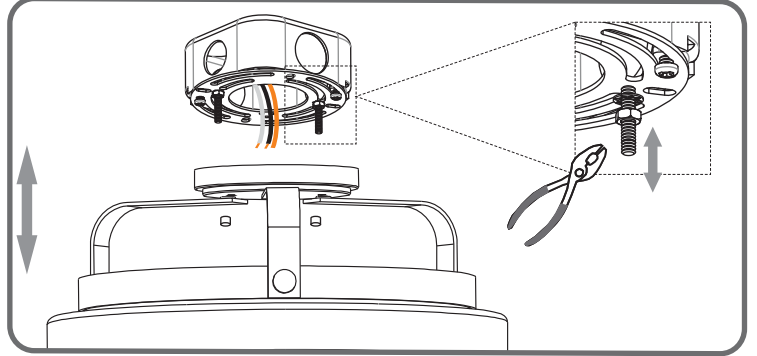
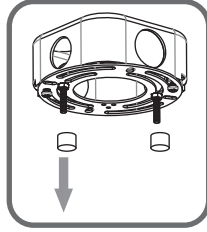
1

Step 1  
Install crossbar assembly

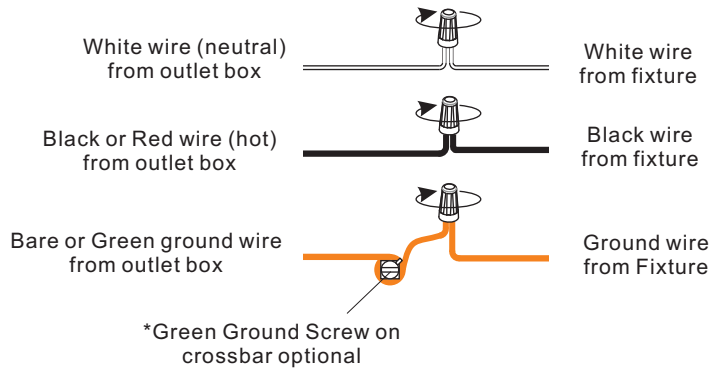


2

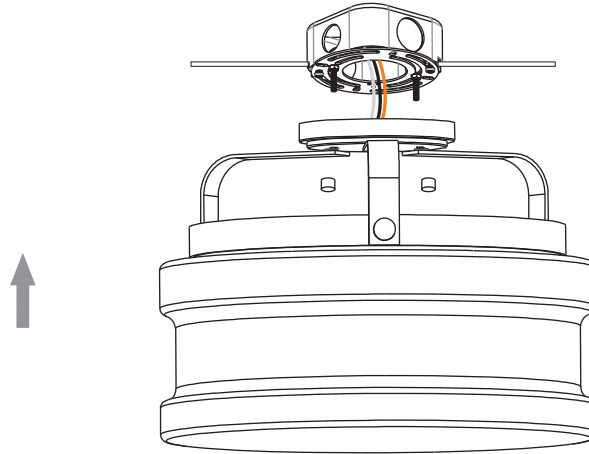
Step 2 - 3  
Test fitting ceiling canopy to  
mounting screws



## STEP 3



## STEP 4



## STEP 5

