

Please go to www.quoizel.com for product cleaning tips. Go to the **Care + Maintenance** selection.

Tools Required: Flathead screwdriver, Phillips screwdriver, pliers, wire cutters, wire strippers, electrical tape, safety glasses.

Light Source: (1) Medium Base 150W bulb Maximum or
(1) Medium Base Vintage Bulb is recommended but not supplied.

Estimated Assembly Time: 30-45 minutes

Preparation: Identify and inspect all parts before beginning installation. Check package content list and diagrams below to be sure all parts are present. If any parts are missing or damaged, do not attempt to assemble, install, or operate the fixture. Contact customer service for replacement parts.

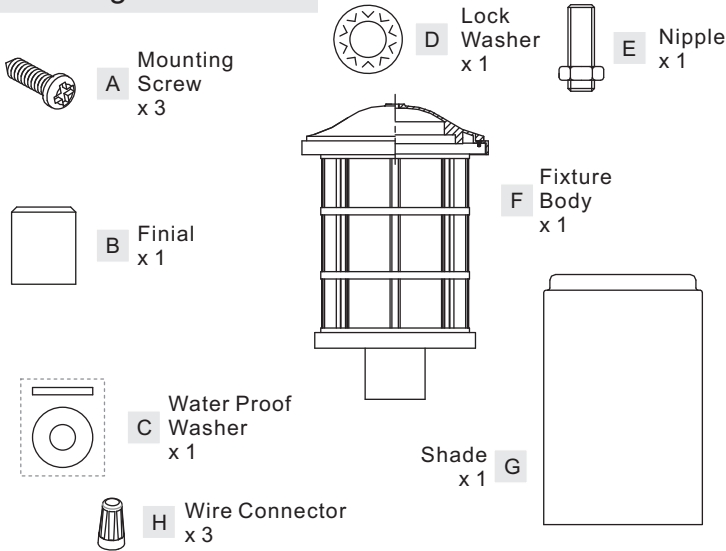
⚠ Warnings and Cautions

Turn off electricity at circuit breaker or main fuse box before installation. Consult a licensed electrician if in doubt.

These instructions are provided for your safety. It is very important you read them completely before installing the fixture. We strongly recommend that a licensed, professional electrician perform the installation.

Disconnect fixture from power source before replacing bulbs. Make sure bulbs are given sufficient time to cool before removal.

Package Contents



STEP 2 – Install Shade, Fixture Hood and Bulb to Fixture Body

- A. Pass Lock Washer (D), Fixture Hood and Water Proof Washer (B) over the Nipple (E), secure by threading Finial (B) onto Nipple (E). Hand tighten until snug.
- B. Insert bulb and screw snugly into place.
- C. Place Shade (G) into Fixture Body (F) properly. Then Place the Fixture Hood onto the top edge of the Fixture Body (F) and secure with Lock Screws. Tighten until snug.

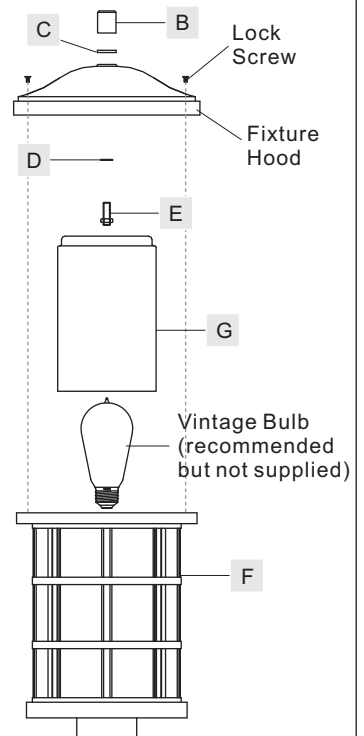


Figure 2

STEP 1 – remove Fixture Hood, Shade and Styrofoam from Fixture Body

- A. Remove Fixture Hood by unlock Lock Screw from Fixture Body (G).
- B. Remove the Package Material and Shade inside the Fixture Body (G).

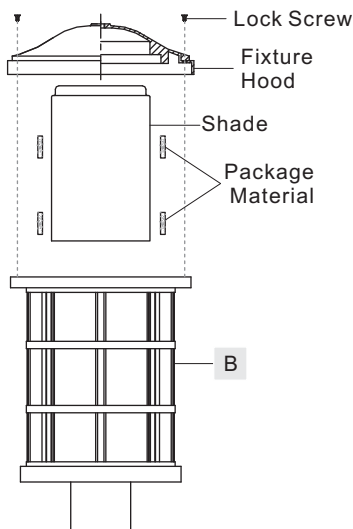


Figure 1

STEP 3 – Mark the Location for the 3 Mounting Holes

- A. Place the light fixture onto the post and mark the location of the 3 mounting holes on the fixture fitter onto the post with the marking pen.

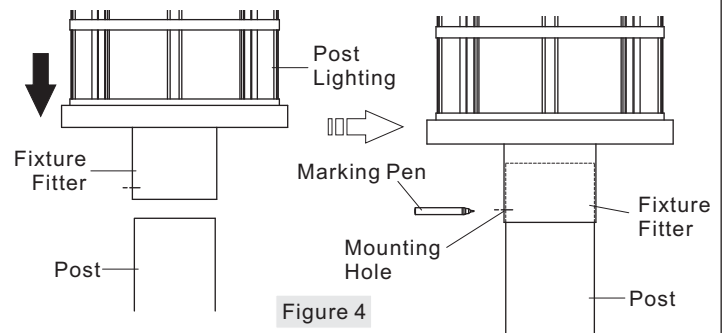
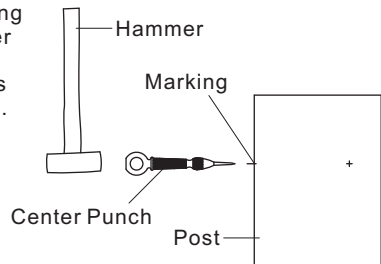


Figure 4

STEP 4 – Marking the Center of Each Mounting Hole

Figure 4

- A. Remove the light fixture. Using the center punch and hammer marking the center of each mounting hole location that is marked with the marking pen.



STEP 5 – Drill Holes

- A. Using the 1/16" bit and drill, drill a pilot hole completely through the post at each (3) locations marked in step 4 above.

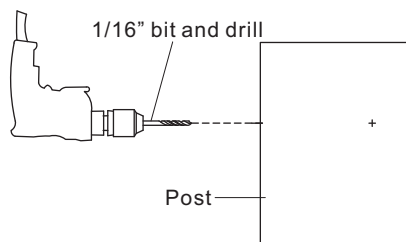


Figure 5

STEP 6 - Wire Connections

- A. Use standard wire connectors (H) to make all wire connections. Twist connectors until wires are tightly joined together. Wrap each connection with approved electrical tape and carefully stuff all the connected wires into the Outlet Box.

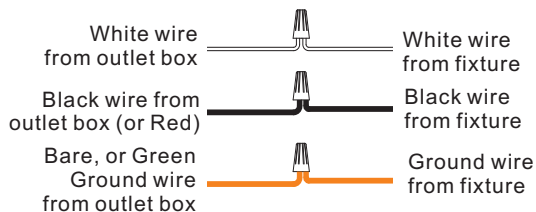


Figure 6

STEP 7 – Attach the fixture to the Post Mount

- A. Place the fixture on the post lining up the mounting holes on the fixture fitter with the holes on the post. Use the Mounting Screws (A) to attach the fixture to the post.

**Your fixture is now assembled and ready to use.
Enjoy!**

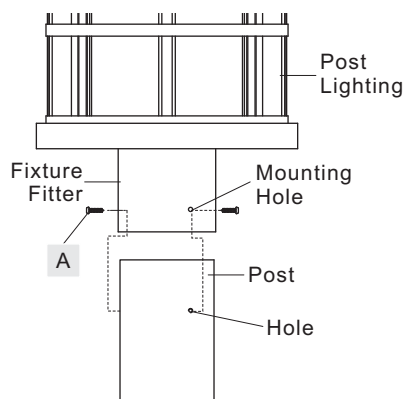


Figure 7