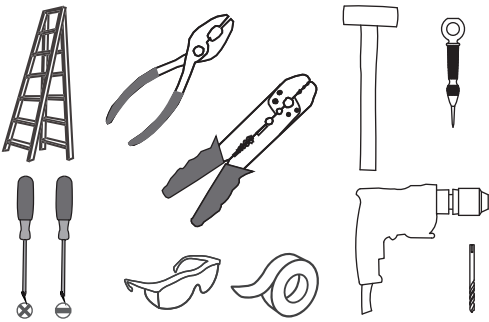
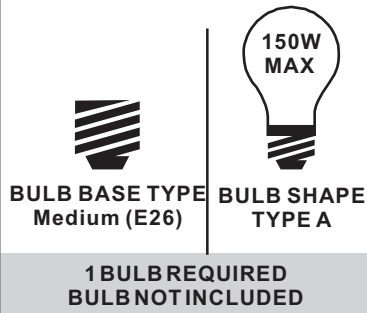


Tools Required



Light Source



Warnings and Cautions

Turn off the electricity at the circuit breaker before installation. Consult a licensed electrician if in doubt about installation.

Turn off power to the fixture and allow the bulbs to cool before replacing.

Package Contents

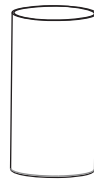
Preparation: Identify and inspect all parts before beginning the installation.

Missing or damaged parts? Contact your original place of purchase.

PARTS BAG

A Mounting Screw x 3

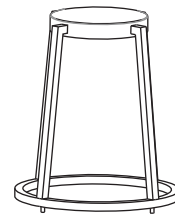
B Wire Connector x 3



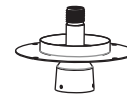
C Shade x 1



D Socket Collar x 1



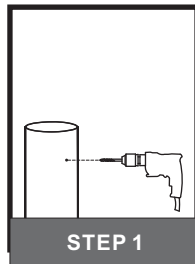
E Cage x 1



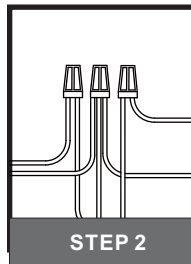
F Fixture Body x 1

Table of Contents

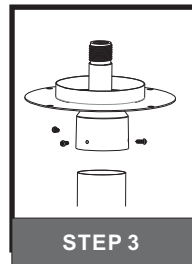
Drill Holes



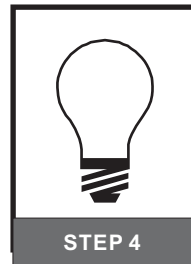
Wiring



Fixture Body



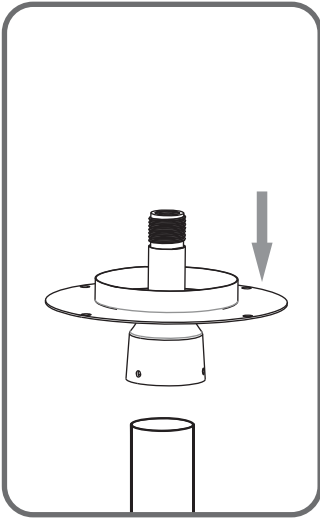
Bulb



STEP 1

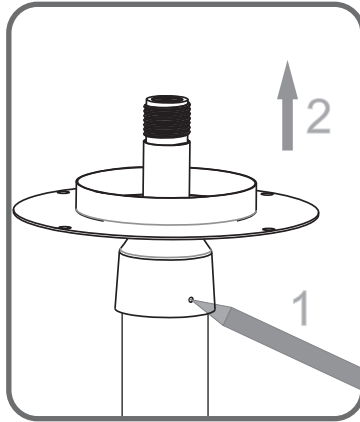
1

Step 1
Place Post Fitter to Post

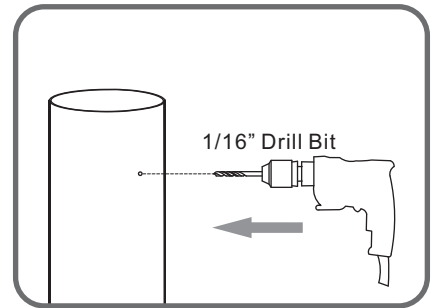
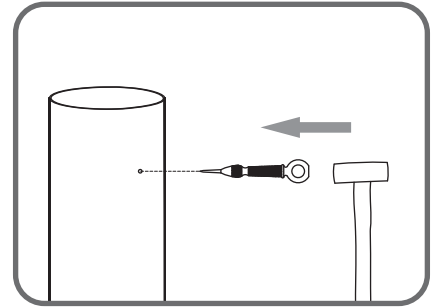


2

Step 2-3
Mark Mounting Holes Location on Post



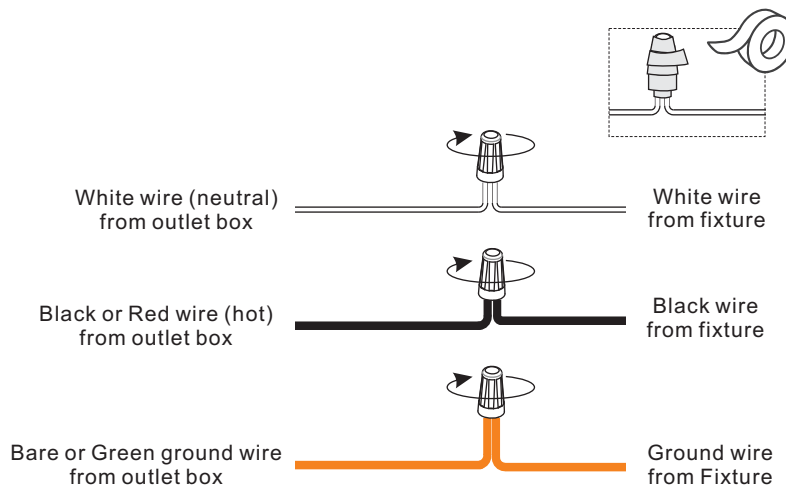
3



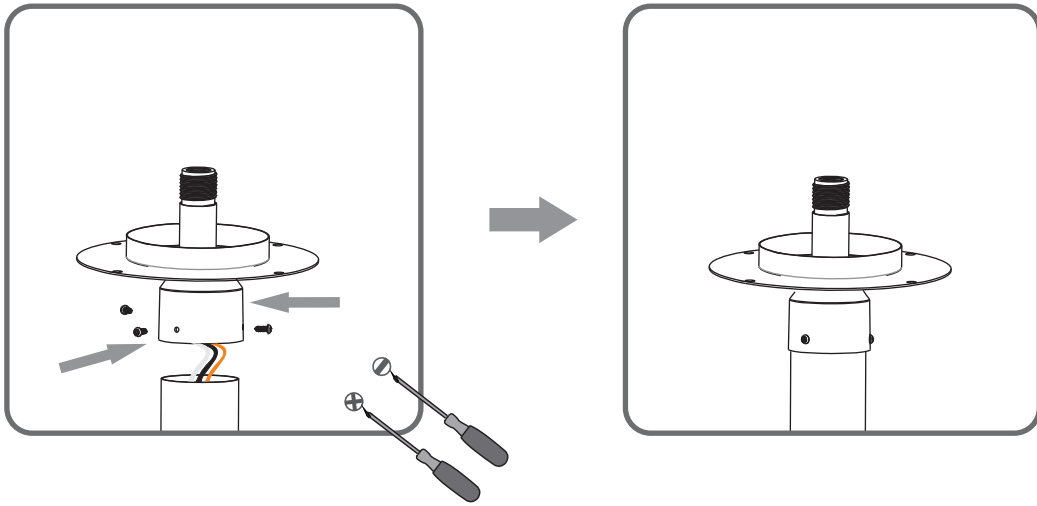
Step 4
Drill Holes

4

STEP 2



STEP 3



STEP 4

