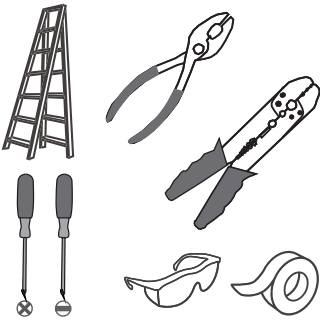
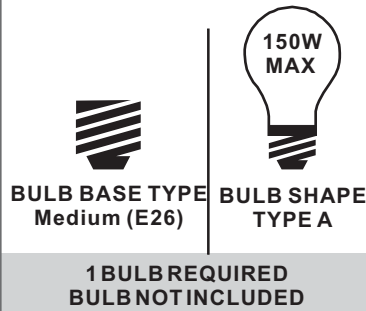


**Tools Required**



**Light Source**



**Warnings and Cautions**

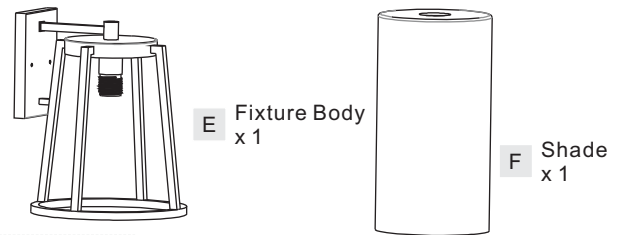
Turn off the electricity at the circuit breaker before installation. Consult a licensed electrician if in doubt about installation.

Turn off power to the fixture and allow the bulbs to cool before replacing.

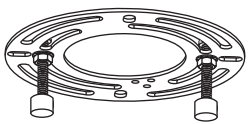
**Package Contents**

**Preparation:** Identify and inspect all parts before beginning the installation.

Missing or damaged parts? Contact your original place of purchase.



**PARTS BAG**



**A** Crossbar Assembly x 1



**B** Alternate Mounting Screw x 2



**C** Outlet Box Screw x 2



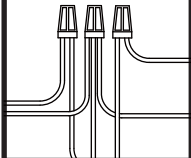
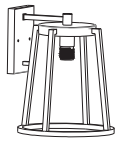

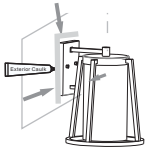


**D** Wire Connector x 3



**G** Socket Collar x 1

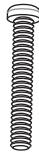
**Table of Contents**

Alternate Mounting Screw	Crossbar Assembly	Wiring	Fixture Body	Shade and Bulb	Caulk
					
<b>STEP 1</b>	<b>STEP 2</b>	<b>STEP 3</b>	<b>STEP 4</b>	<b>STEP 5</b>	<b>STEP 6</b>

## STEP 1

OPTION 1

Standard Mounting Screw



Included (Pre-assembled)

OPTION 2

Alternate Mounting Screw



Included

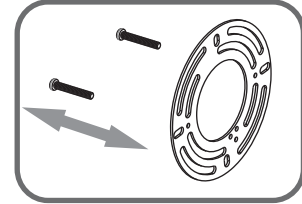
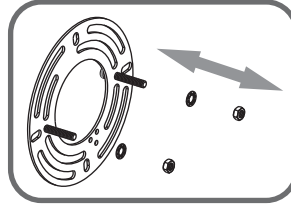
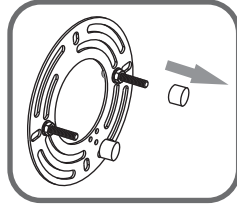
skip to next page

1

2

3

Steps 1-3 to remove standard mounting screws



4

Steps 4-6 to reassemble with alternate mounting screws

6

5

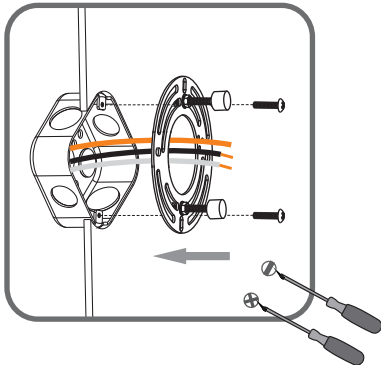
## STEP 2

1

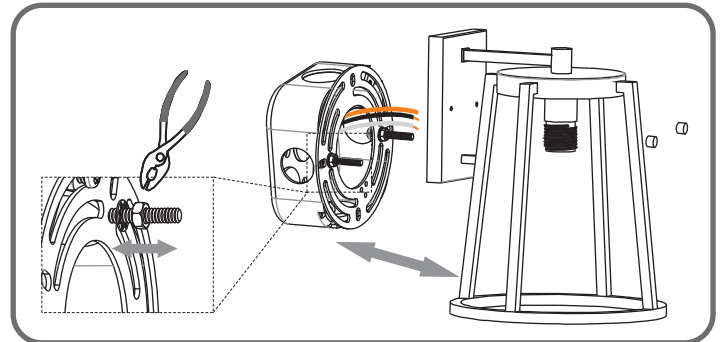
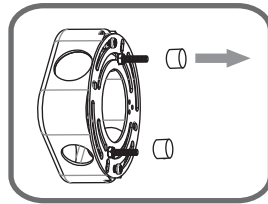
2

3

Step 1  
Install crossbar assembly

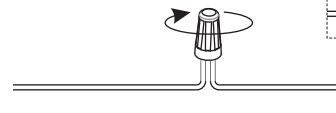


Step 2 - 3  
Test fitting backplate to mounting screws

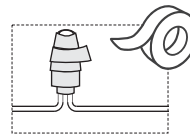


## STEP 3

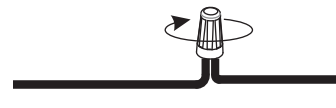
White wire (neutral)  
from outlet box



White wire  
from fixture

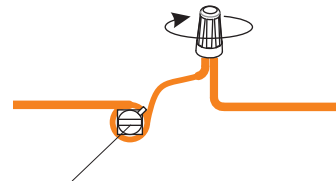


Black or Red wire (hot)  
from outlet box



Black wire  
from fixture

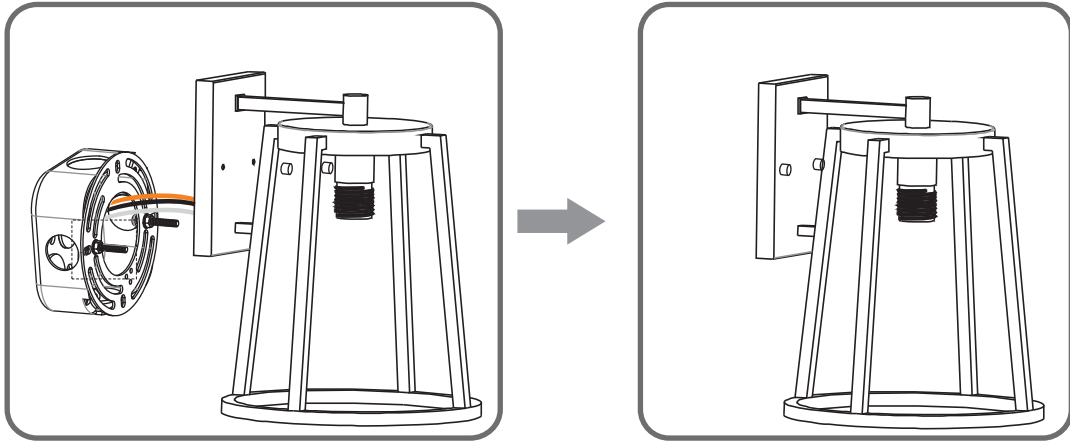
Bare or Green ground wire  
from outlet box



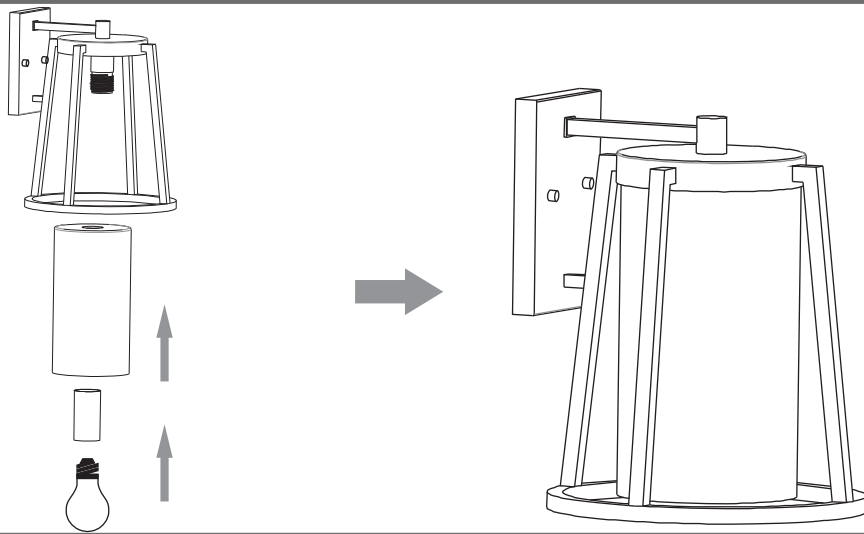
Ground wire  
from Fixture

\*Green Ground Screw  
on crossbar optional

**STEP 4**



**STEP 5**



**STEP 6**

