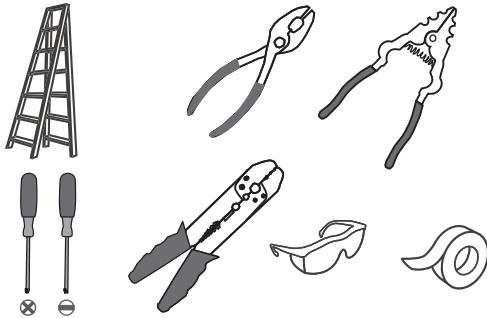
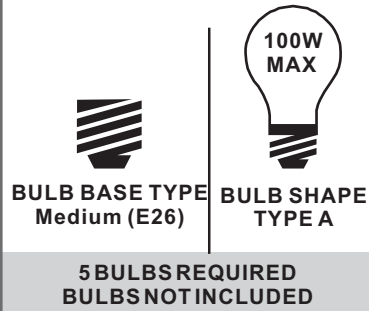


**Tools Required**



**Light Source**



**Fixture Height Adjustable  
20.5" to 67.5"**

**Warnings and Cautions**

Turn off the electricity at the circuit breaker before installation. Consult a licensed electrician if in doubt about installation.

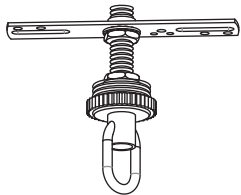
Turn off power to the fixture and allow the bulbs to cool before replacing.

**Package Contents**

**Preparation:** Identify and inspect all parts before beginning the installation.

Missing or damaged parts? Contact your original place of purchase.

**PARTS BAG**



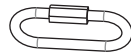
**A** Crossbar Assembly x 1



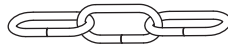
**B** Outlet Box Screw x 2



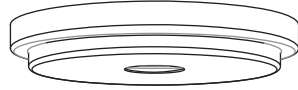
**C** Wire Connector x 3



**D** Quick Link x 2



**E** Fixture Chain x 1

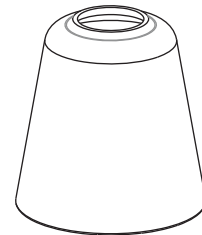


**F** Ceiling Canopy x 1



**G** Fixture Loop x 1

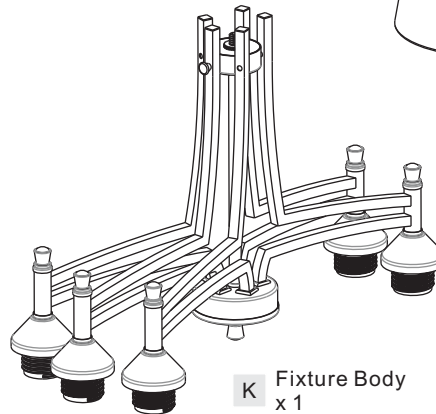
**H** Lock Screw x 4



**I** Shade x 5



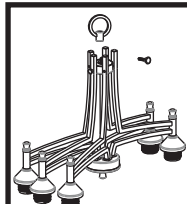
**J** Socket Collar x 5



**K** Fixture Body x 1

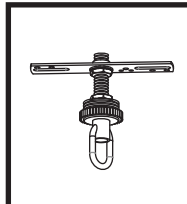
**Table of Contents**

**Unfold arms & Fixture Loop**



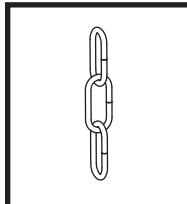
**STEP 1**

**Crossbar Assembly**



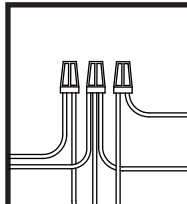
**STEP 2**

**Fixture Chain**



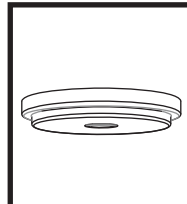
**STEP 3**

**Wiring**



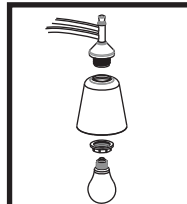
**STEP 4**

**Ceiling Canopy**



**STEP 5**

**Shade & Bulb**

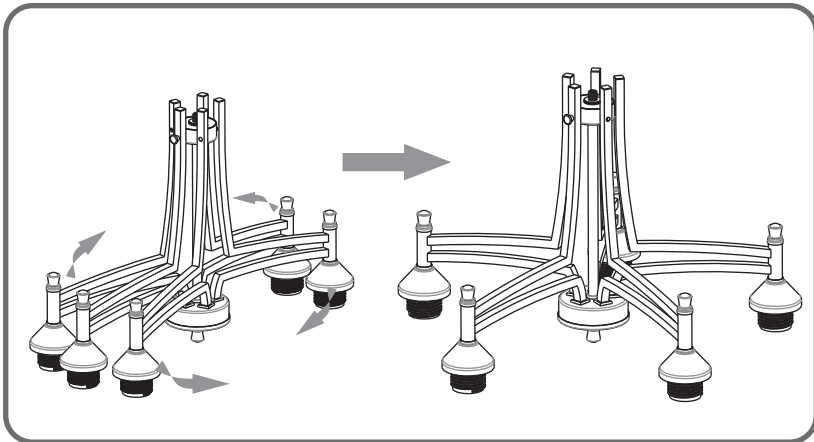


**STEP 6**

# STEP 1

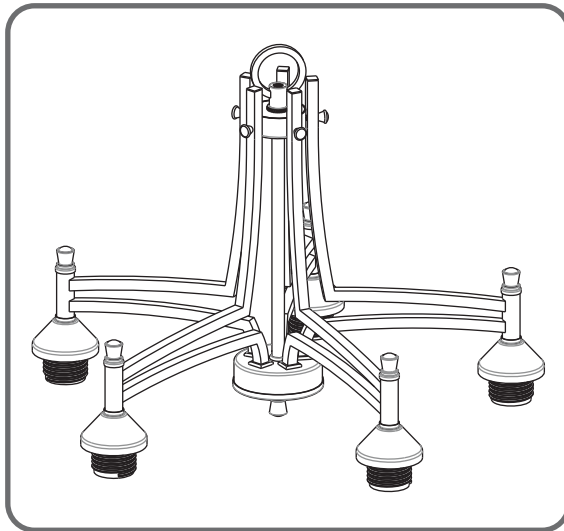
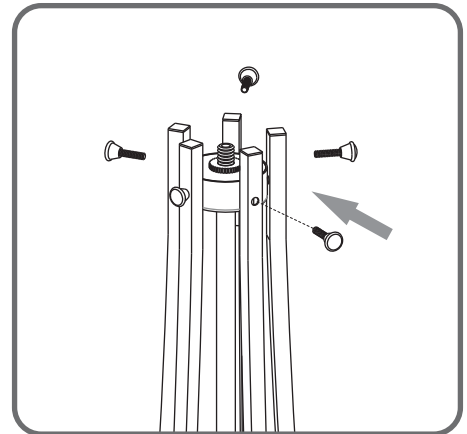
1

Unfold Support Arms



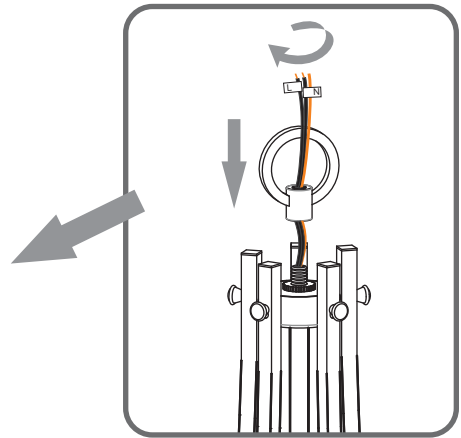
2

Install Lock Screws



3

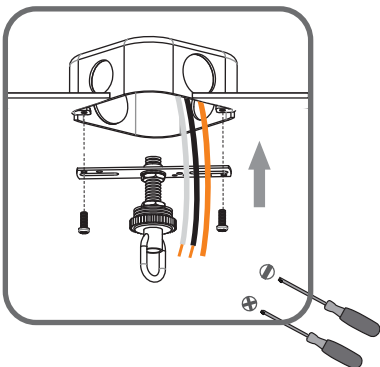
Install Fixture Loop



# STEP 2

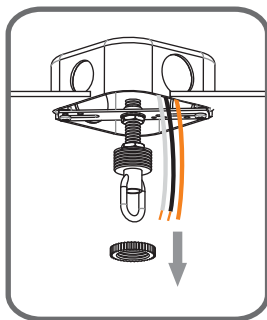
1

Step 1  
Install crossbar assembly

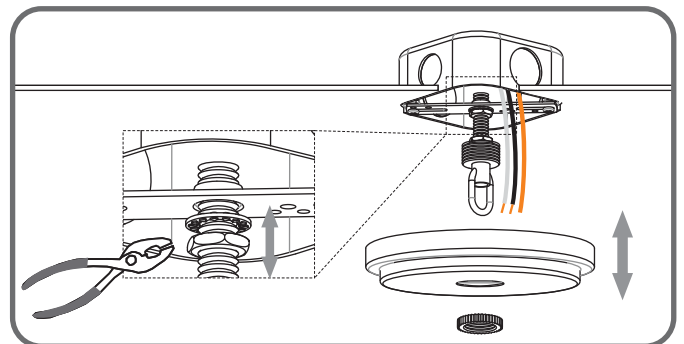


2

Step 2 - 3  
Test fitting ceiling canopy to nipple



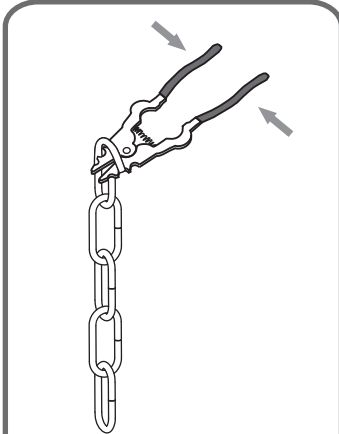
3



### STEP 3

1

Step 1  
Adjust fixture chain length

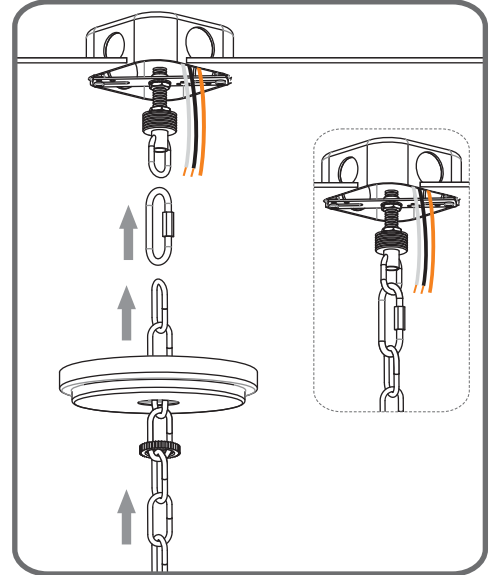
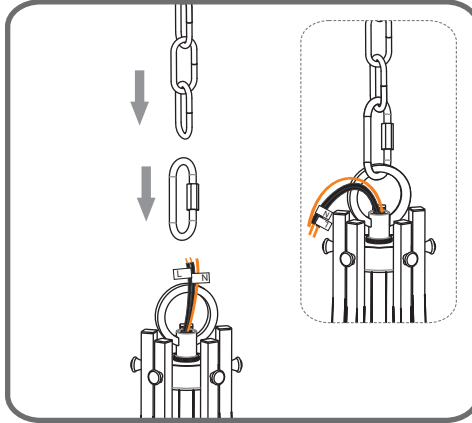


Suggested Chain Length:

- 8' ceiling: 14" Chain
- 9' ceiling: 26" Chain
- 10' ceiling: 38" Chain

2

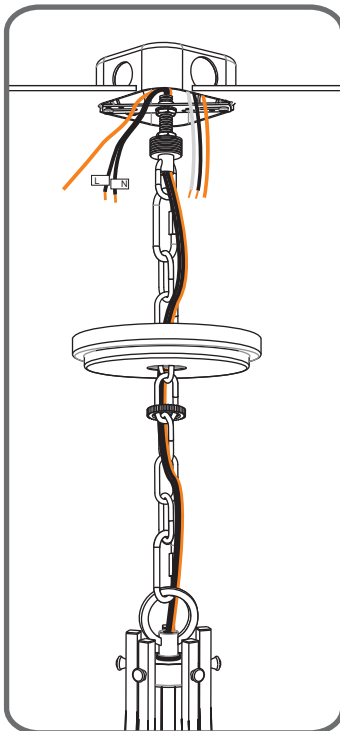
Step 2 - 3  
Install Fixture Chain



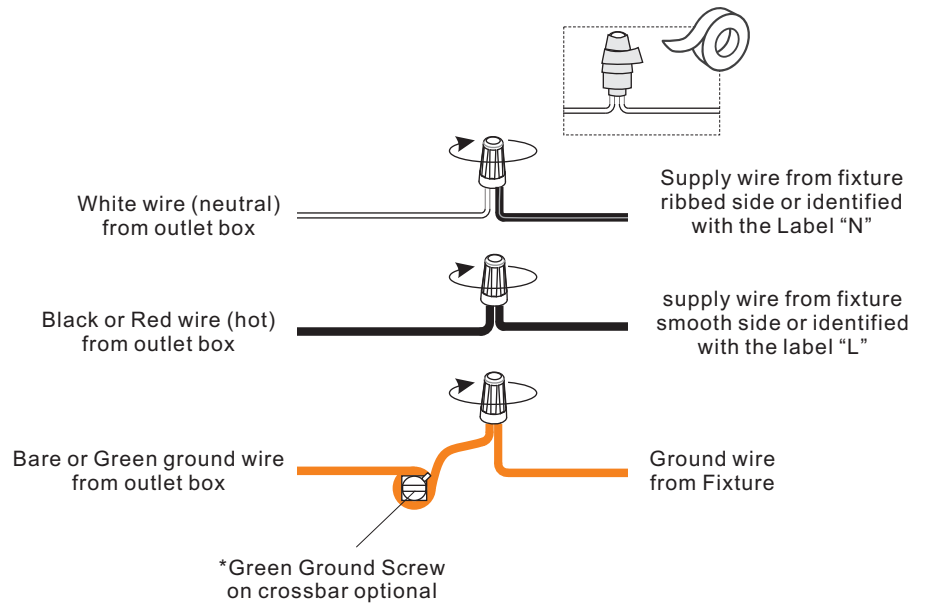
### STEP 4

1

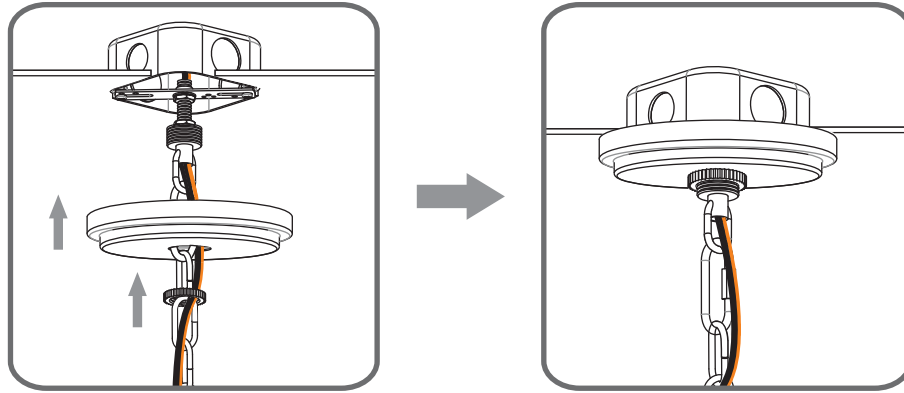
Step 1  
Feed the fixture wires  
through the loop



2



**STEP 5**



**STEP 6**

