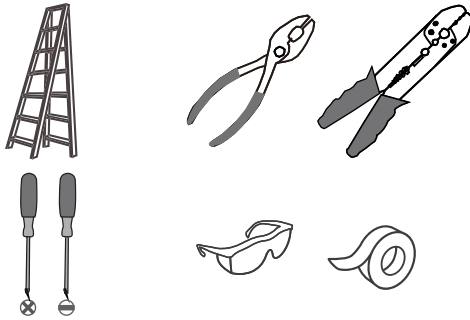
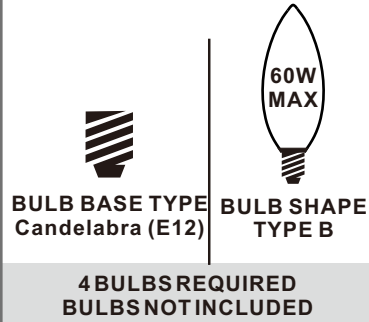


**Tools Required**



**Light Source**



**Fixture Height Adjustable**  
23.25" to 69.75"

**Warnings and Cautions**

Turn off the electricity at the circuit breaker before installation. Consult a licensed electrician if in doubt about installation.

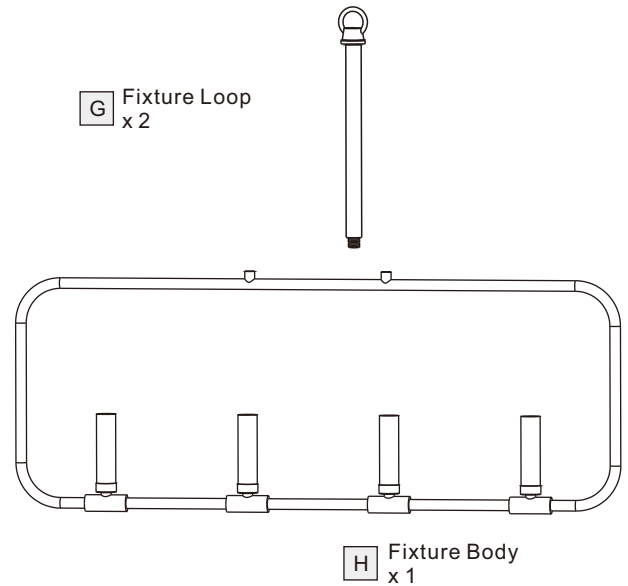
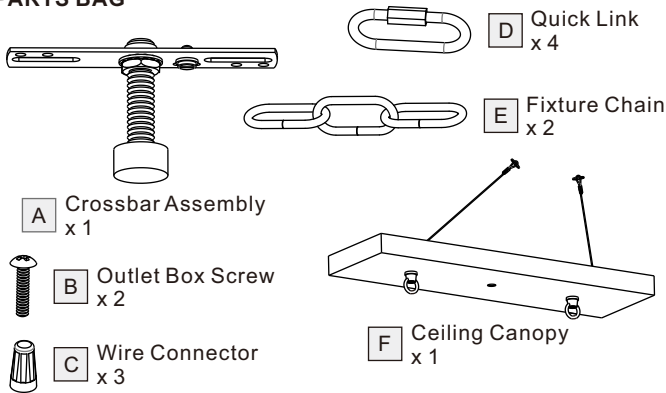
Turn off power to the fixture and allow the bulbs to cool before replacing.

**Package Contents**

**Preparation:** Identify and inspect all parts before beginning the installation.

Missing or damaged parts? Contact your original place of purchase.

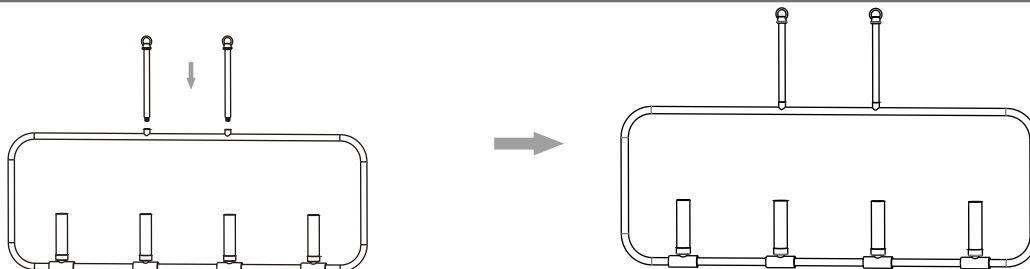
**PARTS BAG**



**Table of Contents**

Fixture Loop	Crossbar Assembly	Fixture Chain	Lanyard	Wiring	Ceiling Canopy	Bulb
STEP 1	STEP 2	STEP 3	STEP 4	STEP 5	STEP 6	STEP 7

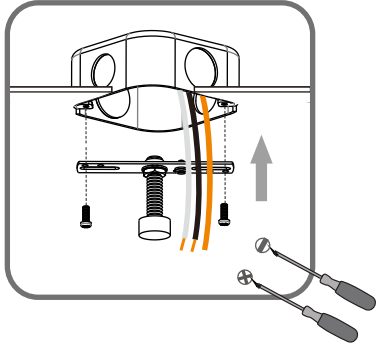
**STEP 1**



**STEP 2**

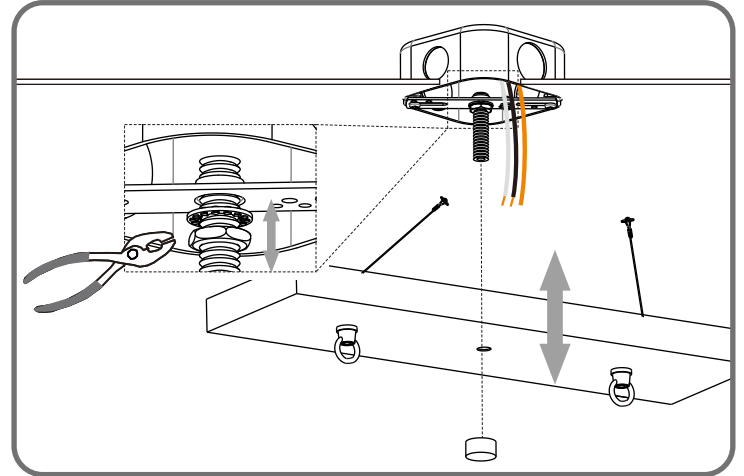
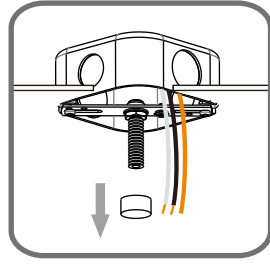
1

**Step 1**  
Install crossbar assembly



2

**Step 2 - 3**  
Test fitting ceiling canopy to nipple

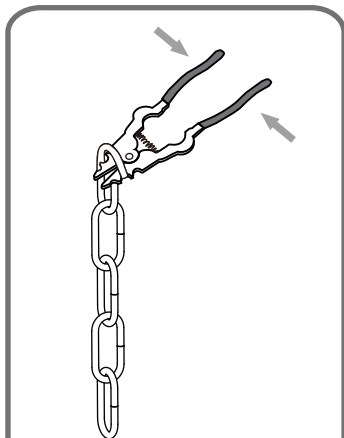


3

**STEP 3**

1

Adjust fixture chain length

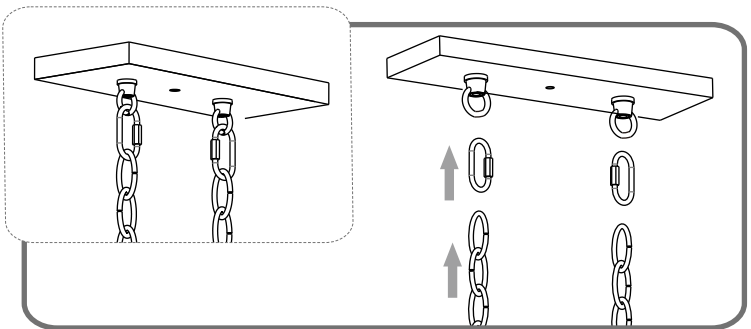
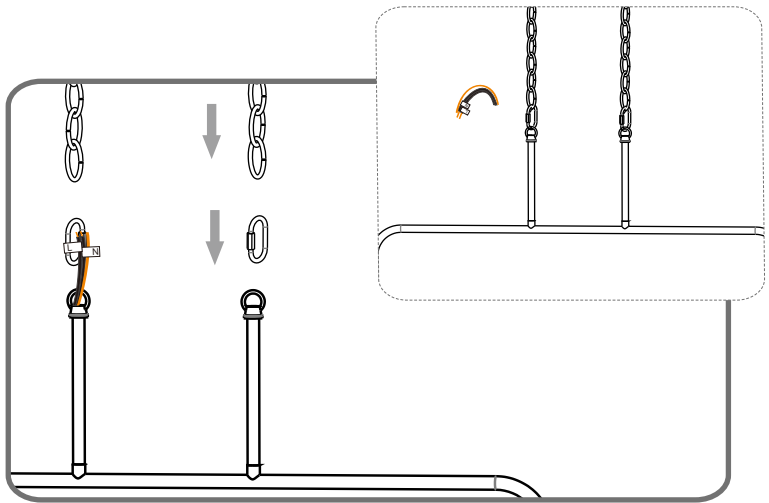


**Suggested Chain Length:**

- 8' ceiling: 12" Chain
- 9' ceiling: 24" Chain
- 10' ceiling: 36" Chain

2

Install Fixture Chain to Fixture Body



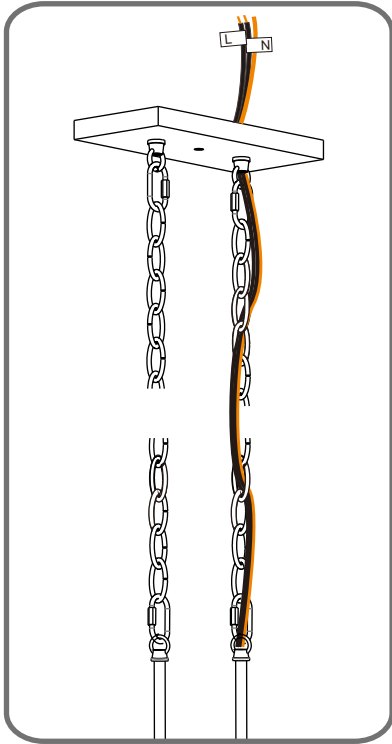
Install Fixture Chain to Ceiling Canopy

3

# STEP 4

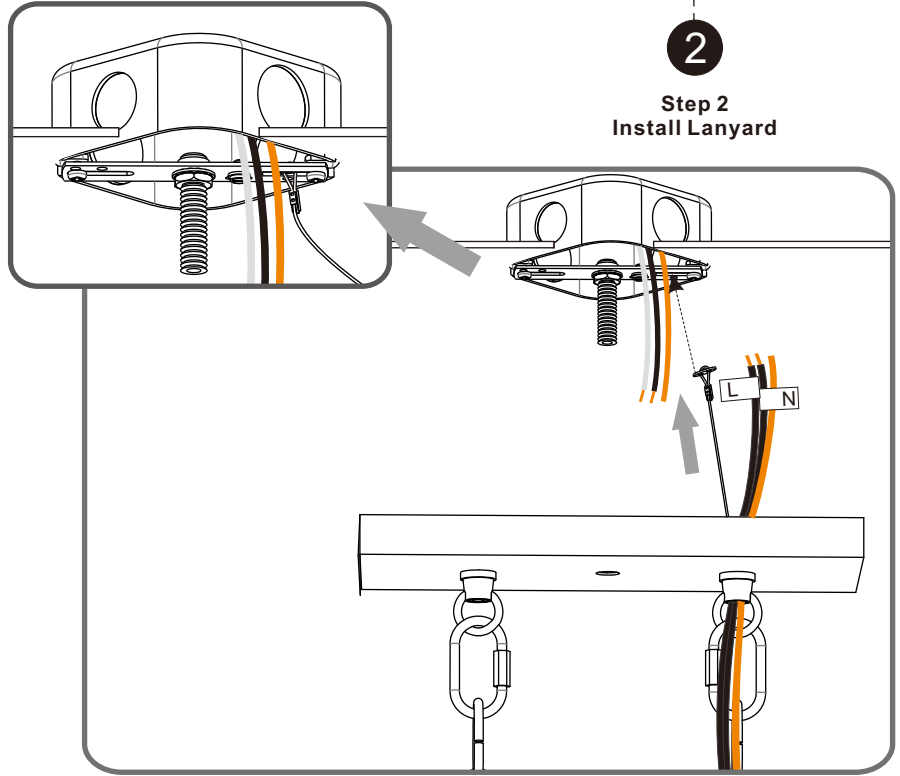
1

Step 1  
Feed the fixture wires through chains and the ceiling canopy

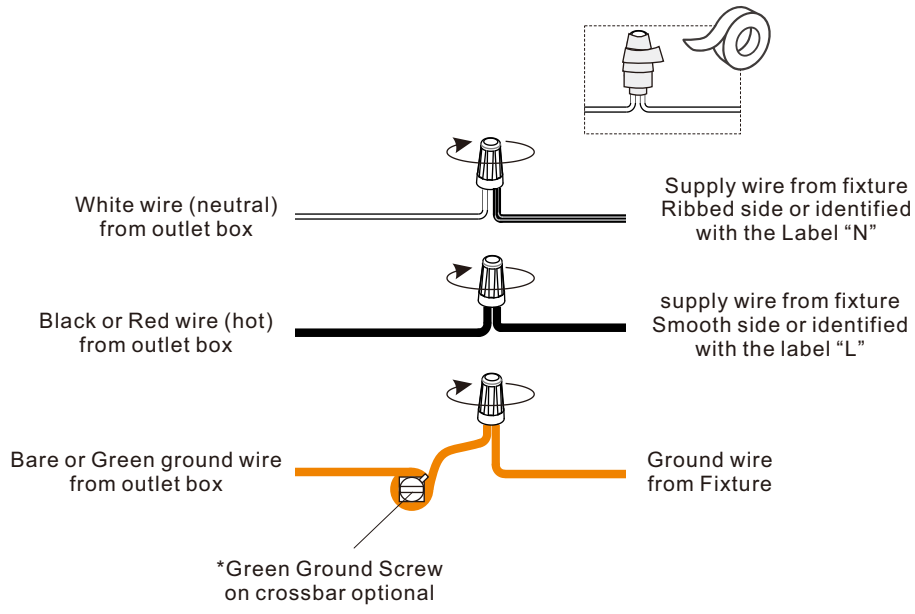


2

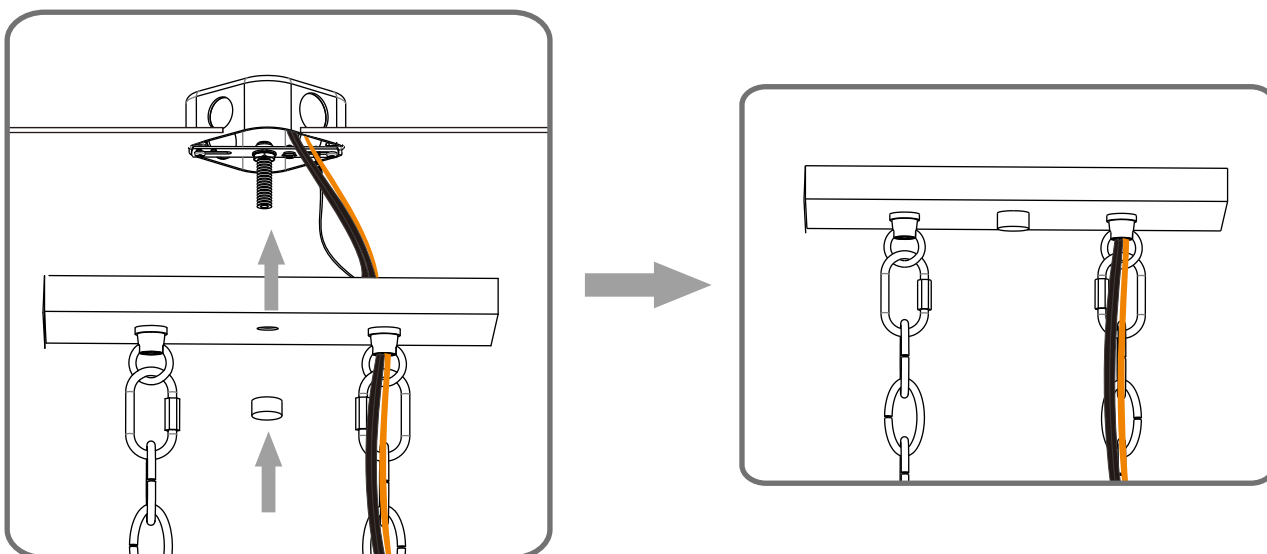
Step 2  
Install Lanyard



# STEP 5



**STEP 6**



**STEP 7**

