

## Brookside LED

Ceiling Stem Hung with 6 links of chain Mounted • Damp Location Listed **PROGRESS LED**

### Description:

Brookside LED Collection Brushed Nickel Spun Metal Shade Coastal LED Pendant Light

### Specifications:

- Spun Metal Shade
- Dimmable to 10% brightness (See Dimming Notes)
- Canopy covers a standard 4" recessed outlet box: 4.8125 in W., 1.1875 in ht., 4.8125 in depth
- Mounting strap for outlet box included
- 180 in of wire supplied
- 1 EA Six links 9 Gauge

### Performance:

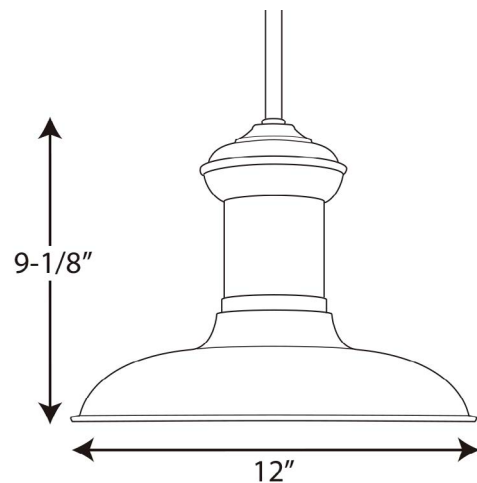
Number of Modules	1
Input Power	17 W
Input Voltage	120 V
Input Frequency	60 Hz
Lumens/LPW (Source)	1,211/71.2 (LM-82)
CCT	3000 K
CRI	90 CRI
Life (hours)	60000 (L70/TM-21)
EMI/RFI	Meets FCC Title 47, Part 15 Class B
Max. Operating Temp	30 °C
Warranty	5-year Limited Warranty
Labels	cCSAus Damp Location Listed

## P5024-0930K9



### Dimensions:

Diameter: 12 in  
Height: 9-1/4 in  
Overall Ht. W/Chain And Stem: 75-1/4 in



# P5024-0930K9

## Dimming Notes:

---

P5024-0930K9 is designed to be compatible with many ELV/Reverse Phase controls.

The following is a partial list of known compatible dimmer controls.

## Dimming Controls:

---

Lutron\_Nova T NTELV-300

Lutron\_Vierti VTELV-600

Lutron\_Maestro MAELV-600

Lutron\_spacer/system SPSELV-600

Dimming capabilities will vary depending on the dimmer control, load, and circuit installation.

Always refer to dimmer manufacturer instructions or a controls specialist for specific requirements.

Dimmer control brand names where identified above are trade names or registered trademarks of each respective company.