



## Ceiling Fan Installation Manual



93140254\_B

**P250070**

# Limited Lifetime Warranty

Progress Lighting fan motors are warranted to the original purchaser to be free of electrical and/or mechanical defects for so long as the original purchaser owns the fan. Pull chain switches, reverse switches, capacitors and metal finishes are warranted to be free from defects in materials or workmanship for a period of 1 year from the date of purchase. Warping of wooden or plastic blades is not covered by this warranty nor is corrosion and/or deterioration of any finishes for fans installed within ten miles of any sea coast. Extended warranties for ENERGY STAR® qualified products may apply.

Progress Lighting ceiling fans with built-in LED light sources, when properly installed and under normal conditions of use, are warranted to be free from defects in material and workmanship which cause the light sources to fail to operate in accordance with the specifications for (i) five (5) years from the date of purchase on the LED Light modules and electrical components for fans used in single family residences, and (ii) three (3) years from the date of purchase on the LED Light modules and electrical components for fans used in multi-family or commercial applications. LED bulbs supplied by Progress Lighting carry no warranty other than manufacturer's warranty. Non-LED bulbs carry no warranty.

With proof of purchase, the original purchaser may return the defective fan to the place of purchase during the first 30 days for replacement. After 30 days, the original purchaser MUST contact Progress Lighting at (864) 678-1000 for repair or replacement which shall be determined in Progress Lighting's sole discretion and shall be purchaser's sole and exclusive remedy.

Labor and Shipping Excluded. This warranty does not cover any costs or fees associated with the labor (including, but not limited to, electrician's fees) required to install, remove, or replace a fan or any fan parts.

This warranty shall not apply to any loss or damage resulting from (i) normal wear and tear or alteration, misuse, abuse or neglect, or (ii) improper installation, operation, repair or maintenance by original purchaser or a third party, including without limitation improper voltage supply or power surge, use of improper parts or accessories, unauthorized repair (made or attempted) or failure to provide maintenance to the fan.

THE FOREGOING WARRANTIES STATE PROGRESS LIGHTING'S ENTIRE WARRANTY OBLIGATION AND ORIGINAL PURCHASER'S SOLE AND EXCLUSIVE REMEDY RELATED TO SUCH PRODUCTS. PROGRESS LIGHTING IS NOT RESPONSIBLE FOR DAMAGES (INCLUDING INDIRECT, SPECIAL, INCIDENTAL OR CONSEQUENTIAL), DUE TO PRODUCT FAILURE, WHETHER ARISING OUT OF BREACH OF WARRANTY, BREACH OF CONTRACT, OR OTHERWISE. THIS WARRANTY IS GIVEN IN LIEU OF ALL OTHER WARRANTIES, WHETHER EXPRESSED OR IMPLIED, INCLUDING THOSE OF MERCHANTABILITY, FITNESS FOR A PARTICULAR PURPOSE OR NONINFRINGEMENT.

Some states do not allow limitations on how long an implied warranty lasts or the exclusion or limitations of incidental or consequential damages, so the above limitations and exclusions may not apply to you. This warranty gives you specific rights and you may have other rights which vary from state to state.

Date Purchased \_\_\_\_\_

Store Purchased \_\_\_\_\_

Model No. \_\_\_\_\_ P250070

Serial No. \_\_\_\_\_

Vendor No. \_\_\_\_\_ 126900

785247248803

785247248797

UPC  785247248810



Safety Rules.....	1.
Unpacking Your Fan .....	2.
Installing Your Fan .....	3.
Operating Your Transmitter .....	8.
Care of Your Fan .....	9.
Troubleshooting .....	10.
Specifications .....	11.

## *Table of Contents*

1. To reduce the risk of electric shock, ensure electricity has been turned off at the circuit breaker or fuse box before beginning.
2. All wiring must be in accordance with the National Electrical Code and local electrical codes. Electrical installation should be performed by a qualified licensed electrician.
3. **WARNING:** To reduce the risk of electrical shock and fire, do not use this fan with any solid-state fan speed control device.
4. **WARNING:** To reduce the risk of fire, electric shock, or personal injury, mount to outlet box marked "Acceptable for Fan Support of 15.9 kg (35 lbs.) Or Less" and use mounting screws provided with the outlet box. Most outlet boxes commonly used for the support of light fixtures are not acceptable for fan support and may need to be replaced. Due to the complexity of the installation of this fan, a qualified licensed electrician is strongly recommended.
9. To avoid personal injury or damage to the fan and other items, be cautious when working around or cleaning the fan.
10. Do not use water or detergents when cleaning the fan or fan blades. A dry dust cloth or lightly dampened cloth will be suitable for most cleaning.
11. After making electrical connections, spliced conductors should be turned upward and pushed carefully up into the outlet box. The wires should be spread apart with the grounded conductor and the equipment-grounding conductor on one side of the outlet box.
12. Electrical diagrams are for reference only. Light kits that are not packed with the fan must be UL Listed and marked suitable for use with the model fan you are installing. Switches must be UL General Use Switches. Refer to the Instructions packaged with the light kits

**WARNING**

TO REDUCE THE RISK OF FIRE, ELECTRIC SHOCK OR PERSONAL INJURY, MOUNT FAN TO OUTLET BOX MARKED ACCEPTABLE FOR FAN SUPPORT.

**WARNING**

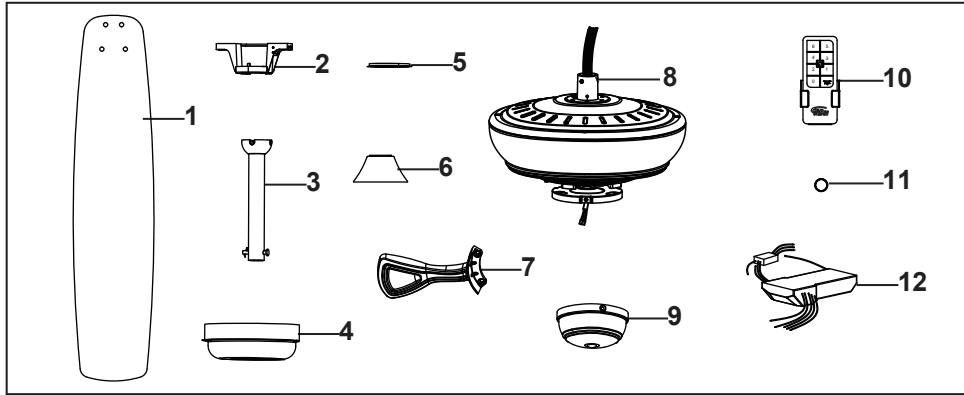
TO REDUCE THE RISK OF PERSONAL INJURY, DO NOT BEND THE BLADE ARMS (ALSO REFERRED TO AS BRACKETS) DURING ASSEMBLY OR AFTER INSTALLATION. DO NOT INSERT OBJECTS IN THE PATH OF THE BLADES.

5. The outlet box and support structure must be securely mounted and capable of reliably supporting a minimum of 35 lbs (15.9 kg) or less. Use only UL-listed outlet boxes marked **FOR FAN SUPPORT**.
6. The fan must be mounted with a minimum of 7 ft (2.1m) clearance from the trailing edge of the blades to the floor.
7. To operate the reverse function on this fan, press the reversing button while the fan is running.
8. Avoid placing objects in the path of the blades.

**NOTE**

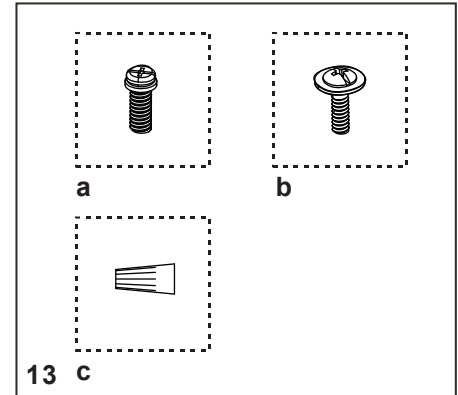
READ AND SAVE ALL INSTRUCTIONS!

# *1. Safety Rules*



Unpack your fan and check the contents. You should have the following items:

- |                          |  |
|--------------------------|--|
| 1. Fan blades (5)        | 7. Set of blades bracket (5)                     |
| 2. Hanger bracket        | 8. Fan motor assembly                            |
| 3. Ball/downrod assembly | 9. Switch cover                                  |
| 4. Canopy                | 10. Transmitter incl. holder + 2 mounting screws |
| 5. Decorative cover      | 11. 3V battery                                   |
| 6. Coupling cover        | 12. Receiver with 6 wire nuts                    |



13. Loose parts bag containing:

- a. Blade bracket attachment hardware**  
(11 screws)
- b. Blade attachment hardware**  
(21 screws)
- c. Mounting hardware**  
Wire nuts (4)

## *Unpacking Your Fan 2.*

## Tools Required

Phillips screw driver, straight slot screw driver, adjustable wrench, step ladder, and wire cutters.

## Mounting Options

If there isn't an existing UL listed mounting box, then read the following instructions. Disconnect the power by removing fuses or turning off circuit breakers.

Secure the outlet box directly to the building structure. Use appropriate fasteners and building materials. The outlet box and its support must be able to fully support the moving weight of the fan (at least 35 lbs). Do not use plastic outlet boxes.

### WARNING

TO REDUCE THE RISK OF FIRE, ELECTRIC SHOCK, OR OTHER PERSONAL INJURY, MOUNT FAN ONLY TO AN OUTLET BOX MARKED ACCEPTABLE FOR FAN SUPPORT AND USE THE MOUNTING SCREWS PROVIDED WITH THE OUTLET BOX. OUTLET BOXES COMMONLY USED FOR THE SUPPORT OF LIGHTING FIXTURES MAY NOT BE ACCEPTABLE FOR FAN SUPPORT AND MAY NEED TO BE REPLACED. CONSULT A QUALIFIED ELECTRICIAN IF IN DOUBT.

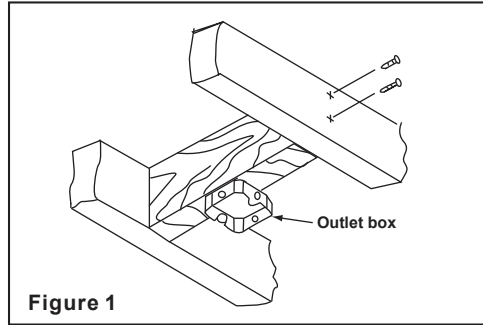


Figure 1

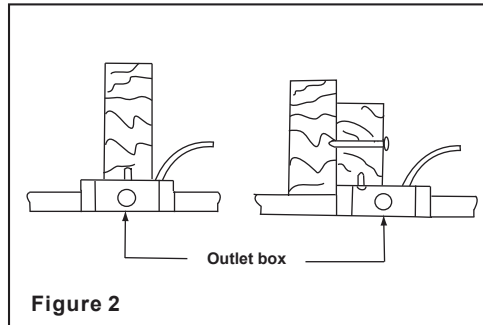


Figure 2

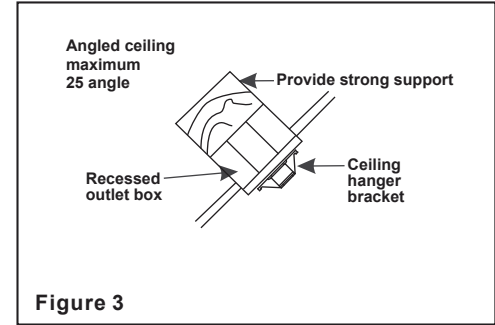


Figure 3

**Note:** You may need a longer downrod to maintain proper blade clearance when installing on a steep, sloped ceiling.

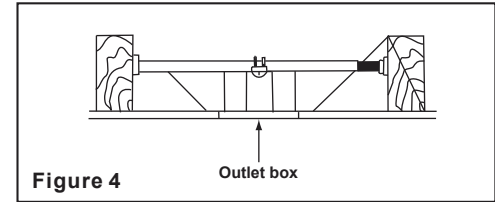


Figure 4

To hang your fan where there is an existing fixture but no ceiling joist, you may need an installation hanger bar as shown in Figure 4 (available at your Progress Lighting Retailer).

# 3. Installing Your Fan

## Hanging the Fan

**REMEMBER** to turn off the power. Follow the steps below to hang your fan properly:

**Step 1.** Pass the 120-volt supply wires through the center hole in the ceiling hanger bracket as shown in Fig. 5.

**Step 2.** Secure the hanger bracket to the ceiling outlet box with the screws and washers provided with your outlet box.

**Step 3.** Remove the 5 motor screws preassembled at the bottom of motor assembly, discarding the screws and the preassembled shipping blocks. (Fig.6)

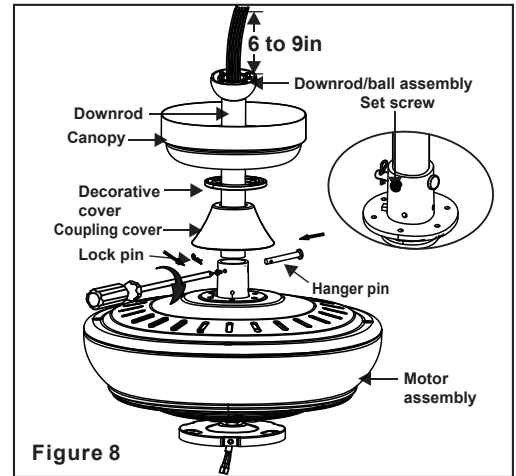
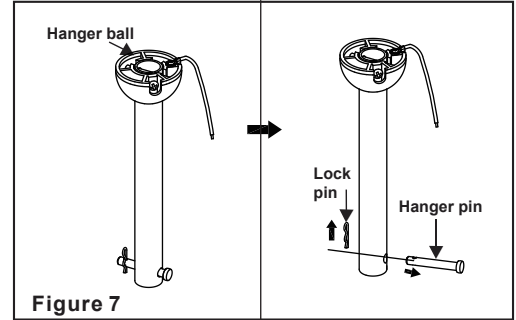
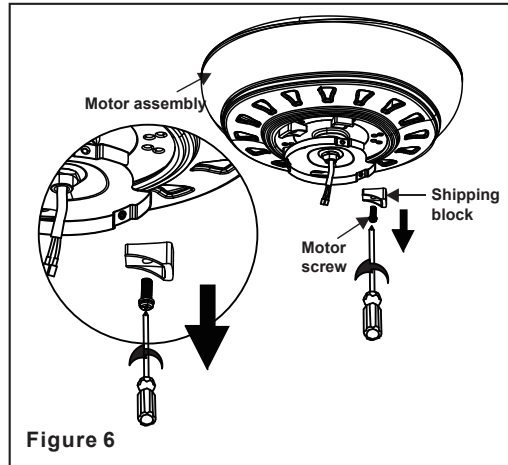
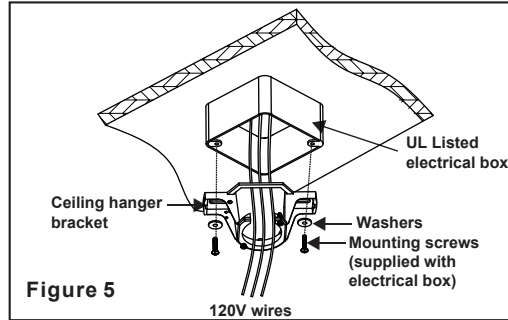
**Step 4.** Remove the hanger pin, lock pin and set screws from the top of the motor assembly. (Fig. 7)

**Step 5.** Route wires exiting from the top of the fan motor through the coupling cover, decorative cover, canopy and then through the downrod. (Fig. 8)

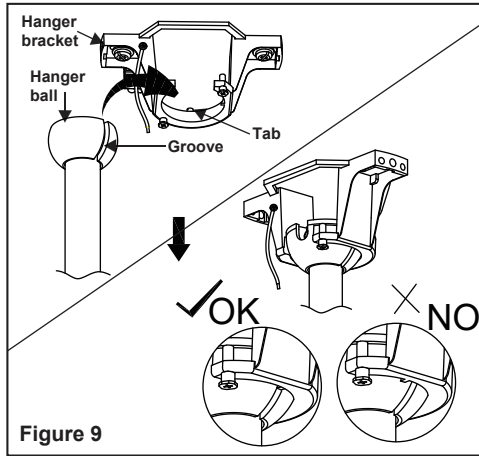
**WARNING**  
FAILURE TO PROPERLY INSTALL  
LOCK PIN AS NOTED IN STEP 6  
COULD RESULT IN FAN LOOSENING AND  
POSSIBLY FALLING.

**Step 6.** Align the holes at the bottom of the downrod with the holes in the collar on top of the motor housing (Fig. 8). Carefully insert the hanger pin through the holes in the collar and downrod. Be careful not to jam the pin against the wiring inside the

downrod. Insert the lock pin through the hole near the end of the hanger pin until it snaps into its locked position, and tighten set screws as shown in Fig.8. Cut off excess fixture wires leaving approximately 6 to 9 inches above top of hanger ball/downrod assembly.



**Step 7.** Carefully lift the assembly and rest the hanger ball of downrod assembly on the hanger bracket attached to the outlet box. Be sure the groove in the hanger ball is lined up with the tab on the hanger bracket. (Fig.9)



## Make the Electric Connections

**WARNING:**To avoid possible electrical shock, be sure electricity is turned off at the main fuse box before wiring.

**WARNING:** Fan must be installed at a maximum distance of 20 feet from the transmitting unit for

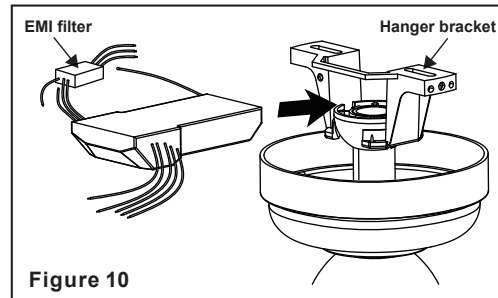
5.

proper signal transmission between the transmitting unit and the fan's receiving unit. If you feel you do not have enough electrical wiring knowledge or experience, have your fan installed by a licensed electrician.

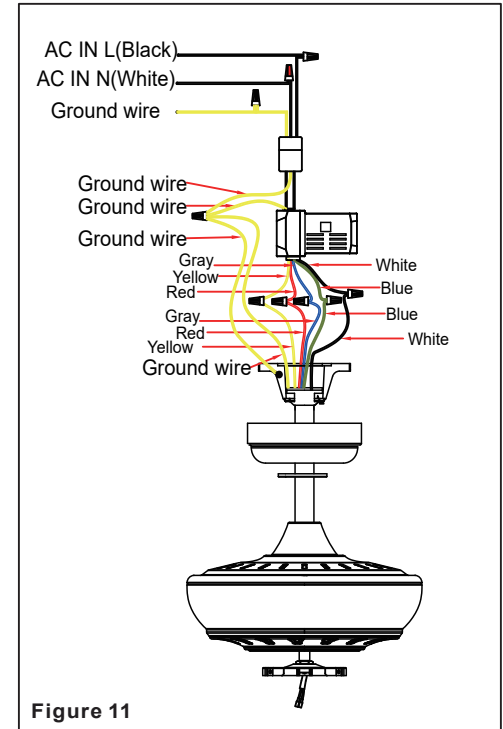
**Step 1.** Connect green wires from EMI filter and related parts according to the wiring diagram as shown in Figure 11, make sure EMI filter is properly seated in outlet box.

**Step 2.** Place the EMI filter into the ceiling box before installing the receiver into the bracket. Insert the receiver into the mounting bracket with the flat side of the receiver facing the ceiling. (Fig. 10)

**Step 3.** Motor to receiver electrical connections: Connect the grey wire from the fan to the grey wire from the receiver. Connect the red wire from the fan to the red wire from the receiver. Connect the yellow wire from the fan to the yellow wire from the receiver. Connect the blue wire from the fan to the blue wire from the receiver. Connect the white wire from the fan to the white wire from the receiver. (Fig.11)



**Step 4.** Receiver to house supply wires electrical connections: Connect the black (hot) wire from the ceiling to the black wire marked "AC IN L" from the receiver. Connect the white (neutral) wire from the ceiling to the white wire marked "AC IN N" from the receiver. (Fig.11)  
Secure all wire connections with the plastic wire nuts provided.





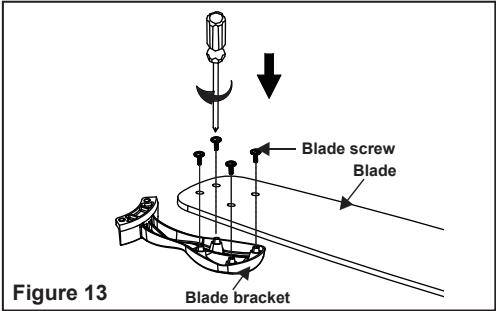
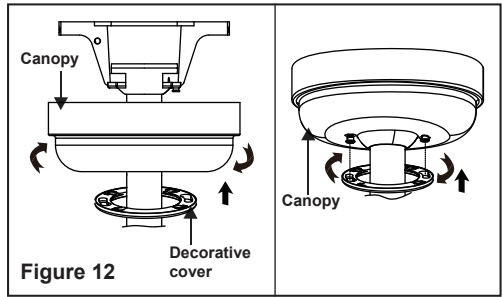
# Finishing the Installation

**Step 1.** Tuck connections neatly into ceiling outlet box.

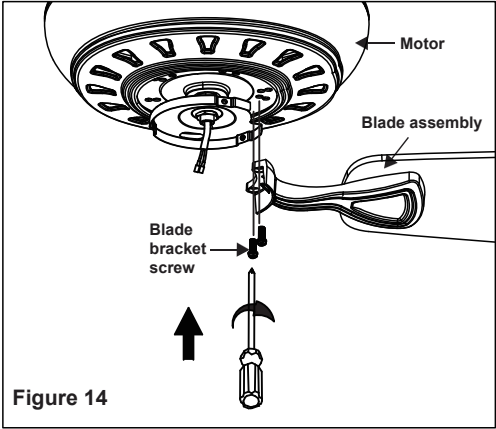
**Step 2.** Slide the canopy up to mounting bracket and place the key hole on the canopy over the screw on the mounting bracket, turn canopy until it locks in place at the narrow section of the key holes. (Fig. 12)

**Step 3.** Align the circular hole on canopy with the remaining hole on the mounting bracket, secure by tightening the two set screws. Note: Adjust the canopy screws as necessary until the canopy and canopy cover are snug.

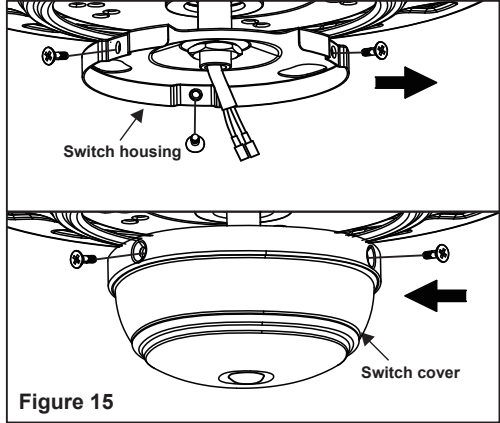
**WARNING**  
Make sure the notch on the hanging bracket properly sits in the groove in the hanger ball before attaching the canopy to the bracket by turning the housing until it drops into place.



Attach the blades to the blade brackets using four (4) blade screws as shown in Figure 13. Repeat this step for the 4 remaining blades and blade brackets. Tighten the screws securely.



Fasten the blade assembly to the motor using the blade bracket screws provided as shown in Figure 14. Repeat the same steps until all blades are installed.



Attached the switch cover to the switch housing using the three screws from the switch housing. (Fig.15)

## Blade Balancing

All blades are grouped by weight. Because natural woods vary in density, the fan may wobble even though the blades are weighed equally.

The following procedure should correct most fan wobbling problems. Check after each step.

1. Check that all blade and blade arm screws are secure.
2. Most fan wobbling problems are caused when blade levels are unequal. Check this level by selecting a point on the ceiling above the tip of one of the blades. Measure this distance as shown in Figure 16. Rotate the fan until the next blade is positioned for measurement. Repeat for each blade. The distance deviation should be equal within 1/8".
3. Use the enclosed Blade Balancing Kit if the blade wobble is still noticeable.
4. If the blade wobble is still noticeable, interchanging two adjacent (side by side) blades can redistribute the weight and possibly result in smoother operation.

**WARNING**  
TO REDUCE THE RISK OF PERSONAL INJURY, DO NOT BEND THE BLADE HOLDERS WHILE INSTALLING, BALANCING THE BLADES, OR CLEANING THE FAN. DO NOT INSERT FOREIGN OBJECTS BETWEEN ROTATING FAN BLADES.

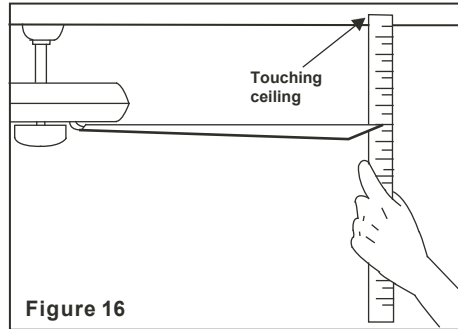


Figure 16

## Remote Control Button Definitions:

1. “0 , 1 , 2 , 3 , 4 , 5 , 6” buttons:

These seven buttons are used to set the fan speed as follows:

0 = Turn the fan OFF

1 = Minimum speed


2 = Low speed


3 = Medium low speed

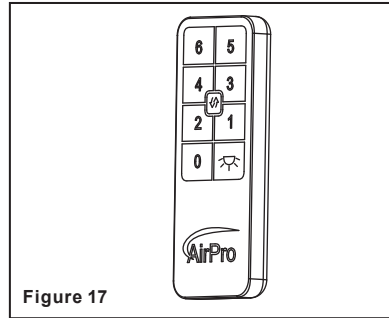
4 = Medium speed

5 = Medium high speed

6 = High speed

2. If using an optional light kit, The “” button turns the light ON or OFF and also controls the brightness setting. Press and release the button to turn the light ON or OFF. Press and hold the button to set the desired brightness.

3. “” button: Reverse switch (control the direction)

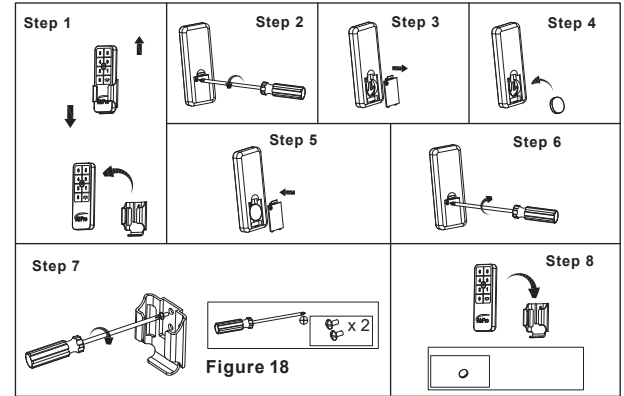


## Installing the Remote Control Holder and Battery

Attach the remote control holder with the remote control holder mounting screw.

(Figure 18)

Install a 3V battery (included) into the remote control. To prevent damage to the remote control, remove the battery if not use for long periods. (Figure 18)



NOTE: The Remote System is equipped with learning frequency function which has 65K Code combinations to prevent potential interference from other remote units. The frequency On your Receiver and Transmitter units have been preset at the factory. We recommend Setting up frequency while installing ceiling fan instead of using initial frequency set by factory. The operation of changing frequency is as below. When Receiver AC power is ON, the first press will be Transmitter FAN OFF (Stop) within 60 seconds. In addition, holding this button FAN OFF (Stop) over 5 seconds, the light kit will flash twice. The receiver will learn operation, you can operate the ceiling fan and light. If set up couldn't be proceeded successfully, please turn off power of the receiver and then Repeat the above action.

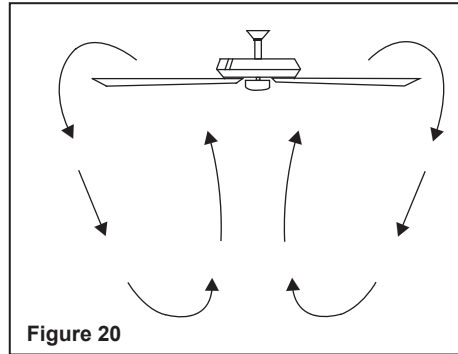
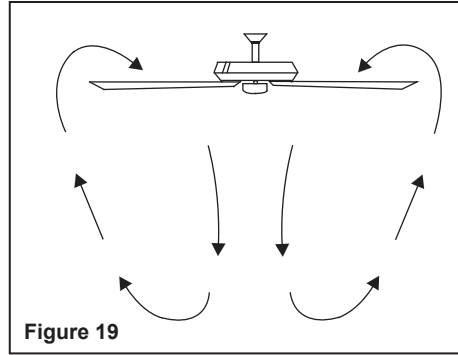
# Operating Your Transmitter 8.

Speed settings for warm or cool weather depend on factors such as the room size, ceiling height, number of fans and so on.

**NOTE:** To operate the reverse function on this fan, press the reverse button on the remote while the fan is running.

Warm weather - (Forward) A downward airflow creates a cooling effect as shown in Fig. 19. This allows you to set your air conditioner on a warmer setting without affecting your comfort.

Cool weather - (Reverse) An upward airflow moves warm air off the ceiling area as shown in Fig. 20. This allows you to set your heating unit on a cooler setting without affecting your comfort.



Here are some suggestions to help you maintain your fan

1. Because of the fan's natural movement, some connections may become loose. **Check the support connections, brackets, and blade attachments twice a year.** Make sure they are secure. **(It is not necessary to remove fan from ceiling.)**
2. Clean your fan periodically to help maintain its new appearance over the years. Use only a soft brush or lint-free cloth to avoid scratching the finish. The plating is sealed with a lacquer to minimize discoloration or tarnishing. Do not use water when cleaning. This could damage the motor, or the wood, or possibly cause an electrical shock.
3. You can apply a light coat of furniture polish to the wood blades for additional protection and enhanced beauty. Cover small scratches with a light application of shoe polish.
4. **There is no need to oil your fan.** The motor has permanently lubricated bearings.

**IMPORTANT**  
MAKE SURE THE POWER IS OFF AT THE ELECTRICAL PANEL BOX BEFORE YOU ATTEMPT ANY REPAIRS. REFER TO THE SECTION "MAKING ELECTRICAL CONNECTIONS"

## 9. Care of Your Fan

## **Problem**

## **Solution**

Fan will not start.

1. Check circuit fuses or breakers.
2. Check line wire connections to the fan and switch wire connections in the switch housing.  
**CAUTION:** Make sure main power is off.

Fan sounds noisy.

1. Make sure all motor housing screws are snug.
2. Make sure the screws that attach the fan blade bracket to the motor hub is tight.
3. Make sure wire nut connections are not rubbing against each other or the interior wall of the switch housing.  
**CAUTION:** Make sure main power is off.
4. Allow a 24-hour "breaking-in" period. Most noise associated with a new fan disappear during this time.
5. If using an optional light kit, make sure the screws securing the glassware are tight. Check that light bulb is also secure.
6. Make sure the upper canopy is a short distance from the ceiling. It should not touch the ceiling.

Remote control  
malfunction

1. Do not connect the fan with wall mounted variable speed control (s).

*Troubleshooting 10.*

Fan Size	Speed	Volts	Amps	Watts	RPM	CFM	N.W.	G.W.	C.F.
72"	Low	120	0.08	3.51	49	3467.15	21.38 lbs	25.08 lbs	3.40'
	High	120	0.54	33.45	122	8760.33			

These are approximate measures. They do not include Amps and Wattage used by the light kit.

This device complies with part 15 of the FCC Rules. Operation is subject to the following two conditions: (1) This device may not cause harmful interference, and (2) this device must accept any interference received, including interference that may cause undesired operation.

**Warning:** Changes or modifications to this unit not expressly approved by the party responsible for compliance could void the user's authority to operate the equipment.

**NOTE:** This equipment has been tested and found to comply with the limits for a Class B digital device, pursuant to Part 15 of the FCC Rules. These limits are designed to provide reasonable protection against harmful interference in a residential installation. This equipment generates, uses and can radiate radio frequency energy and, if not installed and used in accordance with the instructions, may cause harmful interference to radio communications.

However, there is no guarantee that interference will not occur in a particular installation. If this equipment does cause harmful interference to radio or television reception, which can be determined by turning the equipment off and on, the user is encouraged to try to correct the interference by one or more of the following measures:

- Reorient or relocate the receiving antenna.
- Increase the separation between the equipment and receiver.
- Connect the equipment into an outlet on a circuit different from that to which the receiver is connected.
- Consult the dealer or an experienced radio/TV technician for help.

©2020 Progress Lighting, Inc.  
701 Millennium Blvd.,  
Greenville, SC 29607  
All Rights Reserved

## *11. Specifications*

## Manuel d'installation du Ventilateur de plafond



# Garantie limitée à vie

Les moteurs de ventilateur Progress Lighting sont garantis à l'acheteur initial comme étant exempts de défauts électriques et/ou mécaniques, tant que l'acheteur initial possède le ventilateur. Les interrupteurs à chaîne à tirette, les interrupteurs inverseurs, les condensateurs et les finitions métalliques sont garantis contre tout défaut de matériaux ou de fabrication pendant une période d'un an à compter de la date d'achat. Le gauchissement des pales en bois ou en plastique n'est pas couvert par cette garantie, pas plus que la corrosion et/ou la détérioration de toute finition pour les ventilateurs installés à moins de dix milles de toute côte maritime. Des garanties prolongées pour les produits portant le label ENERGY STAR® peuvent s'appliquer.

Les ventilateurs de plafond Progress Lighting dotés de sources lumineuses à LED intégrées, lorsqu'ils sont correctement installés et dans des conditions normales d'utilisation, sont garantis contre tout défaut de matériau et de fabrication qui empêcherait les sources lumineuses de fonctionner conformément aux spécifications pendant (i) cinq (5) ans à compter de la date d'achat des modules de lumière LED et des composants électriques pour les ventilateurs utilisés dans des résidences unifamiliales, et (ii) trois (3) ans à compter de la date d'achat des modules de lumière à LED et des composants électriques pour les ventilateurs utilisés dans des applications multifamiliales ou commerciales. Les ampoules LED fournies par Progress Lighting ne comportent aucune garantie autre que la garantie du fabricant. Les ampoules non LED ne sont pas garanties.

Avec une preuve d'achat, l'acheteur original peut retourner le ventilateur défectueux au lieu d'achat pendant les 30 premiers jours pour un remplacement. Après 30 jours, l'acheteur original DOIT contacter Progress Lighting au (864) 678-1000 pour une réparation ou un remplacement qui sera déterminé à la seule discrétion de Progress Lighting et sera le seul et unique recours de l'acheteur.

La main-d'œuvre et l'expédition sont exclues. Cette garantie ne couvre pas les coûts ou les frais associés à la main-d'œuvre (y compris, mais sans s'y limiter, les frais d'électricien) nécessaire pour installer, retirer ou remplacer un ventilateur ou toute pièce du ventilateur.

Cette garantie ne s'applique pas aux pertes ou dommages résultant (i) d'une usure normale ou d'une altération, d'une mauvaise utilisation, d'un abus ou d'une négligence, ou (ii) d'une installation, d'une utilisation, d'une réparation ou d'un entretien inappropriés par l'acheteur d'origine ou un tiers, y compris, mais sans s'y limiter, une alimentation en tension inappropriée ou une surtension, l'utilisation de pièces ou d'accessoires inappropriés, une réparation non autorisée (effectuée ou tentée) ou un manque d'entretien du ventilateur.

LES GARANTIES PRÉCÉDENTES CONSTITUENT L'ENTIÈRE OBLIGATION DE GARANTIE DE PROGRESS LIGHTING ET LE SEUL ET UNIQUE RECOURS DE L'ACHETEUR ORIGINAL EN CE QUI CONCERNE CES PRODUITS. PROGRESS LIGHTING N'EST PAS RESPONSABLE DES DOMMAGES (Y COMPRIS INDIRECTS, SPÉCIAUX, INCIDENTIELS OU CONSÉCUTIFS), DUS À UNE DÉFAILLANCE DU PRODUIT, QU'ILS RÉSULTENT D'UNE RUPTURE DE GARANTIE, D'UNE RUPTURE DE CONTRAT OU AUTRE. CETTE GARANTIE EST DONNÉE EN LIEU ET PLACE DE TOUTE AUTRE GARANTIE, EXPRESSE OU IMPLICITE, Y COMPRIS CELLES DE QUALITÉ MARCHANDE, D'ADÉQUATION À UN USAGE PARTICULIER OU DE NON-VIOLATION.

Certains États n'autorisent pas la limitation de la durée d'une garantie implicite ou l'exclusion ou la limitation des dommages accessoires ou indirects, de sorte que les limitations et exclusions ci-dessus peuvent ne pas s'appliquer à votre cas. Cette garantie vous donne des droits spécifiques et vous pouvez avoir d'autres droits qui varient d'un état à l'autre.

Date de l'achat: \_\_\_\_\_

Magasin d'achat \_\_\_\_\_

No du modèle \_\_\_\_\_ P250070

No de série \_\_\_\_\_

Numéro de vendeur. \_\_\_\_\_ 126900

785247248803

785247248797

UPC \_\_\_\_\_  785247248810





Règles de sécurité .....	1.
Déballage de votre ventilateur .....	2.
Installation de votre ventilateur .....	3.
Utilisation de votre émetteur .....	8.
Entretien de votre ventilateur.....	9.
Dépannage.....	10.
Spécifications.....	11.

## *Table des matières*

1. Pour réduire le risque de choc électrique, s'assurer que l'électricité a été coupée au disjoncteur ou au boîtier de fusibles avant de commencer.
2. Tout le câblage doit être conforme au Code national de l'électricité et aux codes électriques locaux. L'installation électrique doit être effectuée par un électricien qualifié et agréé.
3. **AVERTISSEMENT:** Pour réduire le risque de choc électrique et d'incendie, n'utilisez pas ce ventilateur avec un dispositif de contrôle de vitesse de ventilateur à semi-conducteurs.
4. **AVERTISSEMENT:** Pour réduire le risque d'incendie, de choc électrique ou de blessure, installez l'appareil dans une boîte de sortie marquée " Acceptable pour le support du ventilateur de 15,9 kg (35 lb) " ou moins" et utilisez les vis de montage fournies avec la boîte de sortie. La plupart des boîtiers externes couramment utilisés pour le support des appareils d'éclairage ne sont pas acceptables pour le support des ventilateurs et peuvent avoir besoin d'être remplacés. En raison de la complexité de l'installation de ce ventilateur, il est fortement recommandé de faire appel à un électricien qualifié et agréé.

**AVERTISSEMENT**

POUR RÉDUIRE LES RISQUES D'INCENDIE, DE CHOC ÉLECTRIQUE OU DE BLESSURE, INSTALLEZ LE VENTILATEUR SUR UNE BOÎTE DE SORTIE MARQUÉE COMME ACCEPTABLE POUR LE SUPPORT DU VENTILATEUR.

9. Pour éviter de blesser quelqu'un ou d'endommager le ventilateur ou d'autres éléments, soyez prudent lorsque vous travaillez autour ou nettoyez le ventilateur.
10. Ne pas utiliser d'eau ou de détergents pour nettoyer le ventilateur ou les pales du ventilateur. Un chiffon sec ou légèrement humidifié convient à la plupart des nettoyages.
11. Après avoir effectué les branchements électriques, les conducteurs épissés doivent être retournés vers le haut et poussés avec précaution vers le haut dans le boîtier de sortie. Les fils doivent être écartés, le conducteur de mise à la terre de l'équipement se trouvant d'un côté de la boîte de sortie.
12. Les schémas électriques sont fournis uniquement à titre de référence. Les kits d'éclairage qui ne sont pas emballés avec le ventilateur doivent être répertoriés UL et marqués pour une utilisation avec le ventilateur modèle que vous installez. Les interrupteurs doivent être des interrupteurs à usage général UL. Reportez-vous aux instructions fournies avec les kits d'éclairage

**AVERTISSEMENT**

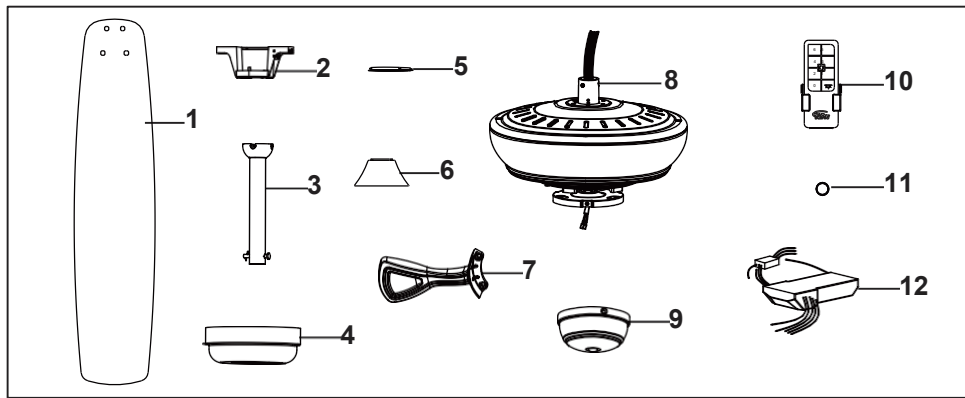
POUR RÉDUIRE LE RISQUE DE BLESSURE, NE PLIEZ PAS LES BRAS DE LA LAME (ÉGALEMENT APPELÉS SUPPORTS) PENDANT LE MONTAGE OU APRÈS L'INSTALLATION. ÉVITEZ DE PLACER DES OBJETS DANS LE CHEMIN DES PALES.

5. La boîte de sortie et la structure de support doivent être solidement fixées et capables de supporter de manière fiable un minimum de 35 lb (15,9 kg) ou moins. Utilisez uniquement des boîtes de sortie répertoriées UL et marquées **POUR LE SUPPORT DE VENTILATEUR.**
6. Le ventilateur doit être monté à une distance minimale de 7 pieds (2,1m) du bord de fuite des pales par rapport au sol.
7. Pour faire fonctionner la fonction marche arrière sur ce ventilateur, appuyez sur le bouton marche arrière pendant que le ventilateur est en marche.
8. Évitez de placer des objets dans le chemin des pales.

**REMARQUE:**

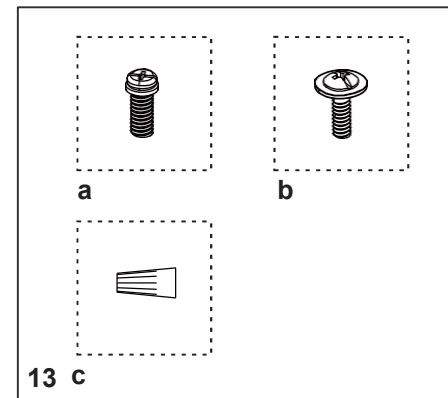
VEUILLEZ LIRE ET CONSERVER LES PRÉSENTES INSTRUCTIONS

# 1. Règles de sécurité.



Déballer votre ventilateur et vérifiez son contenu. Les articles suivants doivent être disponibles:

- |   |  |
|---|--|
| 1. Pales de ventilateur (5)                         | 7. Jeu de lames support (5)                  |
| 2. Support de suspension                            | 8. Assemblage du moteur du ventilateur       |
| 3. Assemblage de la boule et de la tige de descente | 9. Couverture de l'interrupteur              |
| 4. Auvent   | 10. Émetteur avec support + 2 vis de montage |
| 5. Couvercle de décoration                          | 11. Batterie 3V                              |
| 6. Couvercle d'accouplement                         | 12. Récepteur avec 6 écrous de fil           |



13. Sac de pièces détachées contenant :

- a. Matériel de fixation du support de lame**  
(11 vis)
- b. Matériel de fixation de la lame**  
(21 vis)
- c. Matériel de montage**  
connecteurs de fils (4)

## *Déballage de votre ventilateur 2.*

## Outils nécessaires

Tournevis Phillips, tournevis à fente droite, clé à molette, escabeau et coupe-fils.

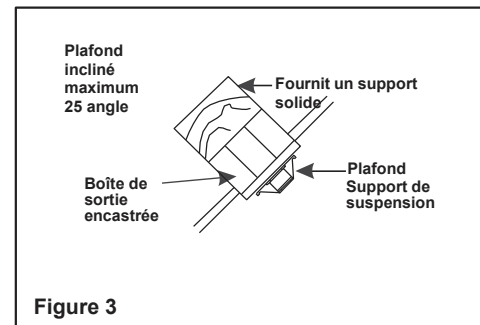
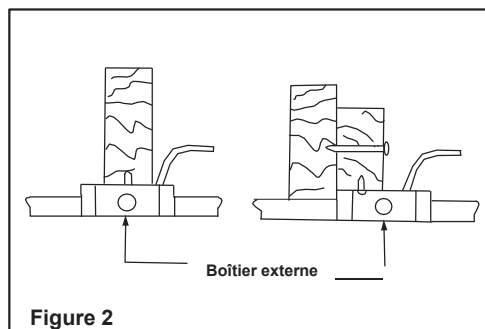
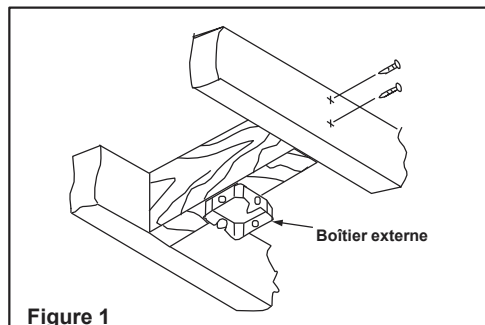
## Options de montage

S'il n'y a pas de boîtier de montage homologué UL, lisez les instructions suivantes. Coupez l'alimentation électrique en retirant les fusibles ou en coupant les disjoncteurs.

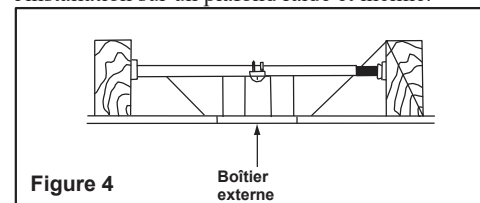
Fixer le boîtier externe directement sur la structure du bâtiment. Utiliser des fixations et des éléments de construction appropriés. La boîte de sortie et son support doivent être capable de supporter entièrement le poids en mouvement du ventilateur (au moins 35 lbs). Évitez d'utiliser des boîtiers externes en plastique.

### AVERTISSEMENT

POUR RÉDUIRE LES RISQUES D'INCENDIE, DE CHOC ÉLECTRIQUE OU D'AUTRES BLESSURES, INSTALLEZ LE VENTILATEUR UNIQUEMENT SUR UNE BOÎTE DE SORTIE MARQUÉE COMME ÉTANT ACCEPTABLE POUR LE SUPPORT DU VENTILATEUR ET UTILISEZ LES VIS DE MONTAGE FOURNIES AVEC LA BOÎTE DE SORTIE. LA PLUPART DES BOÎTIERS EXTERNES COURAMMENT UTILISÉES POUR LE SUPPORT DES APPAREILS D'ÉCLAIRAGE NE SONT PAS ACCEPTABLES POUR LE SUPPORT DES VENTILATEURS ET PEUVENT AVOIR BESOIN D'ÊTRE REMPLACÉES. EN CAS DE DOUTE, CONSULTEZ UN ÉLECTRICIEN QUALIFIÉ.



**Remarque:** Il se peut que vous ayez besoin d'une tige descendante plus longue pour maintenir un dégagement correct de la lame lors de l'installation sur un plafond raide et incliné.



Pour suspendre votre ventilateur là où il y a un luminaire existant mais pas de solive de plafond, vous pouvez avoir besoin d'une barre de suspension d'installation comme indiqué à la Figure 4 (disponible chez votre détaillant Progress Lighting).

## 3. Installation de votre ventilateur

## Suspension du ventilateur

Penser à couper l'alimentation. Veuillez suivre les étapes suivantes pour suspendre correctement votre ventilateur. ,

**Étape 1:** Faites passer les fils d'alimentation de 120 volts par le trou central du support de suspension au plafond, comme indiqué à la figure 5.

**Étape 2.** Fixez le support de suspension à la boîte de sortie du plafond à l'aide des vis et des rondelles fournies avec votre boîte de sortie

**Étape 3.** Retirez les 5 vis du moteur pré-assemblées au bas de l'assemblage du moteur, en jetant les vis et les blocs d'expédition pré-assemblés. (Fig.6)

**Étape 4.** Retirez la goupille de suspension, la goupille de verrouillage et les vis de réglage du haut de l'ensemble moteur. (Fig. 7)

**Étape 5.** Faites passer les fils sortant du haut du moteur du ventilateur par le couvercle de l'accouplement, le couvercle décoratif, la verrière, puis par la tige descendante. (Fig. 8)

**Tige descendante** Insérez la goupille de verrouillage dans le trou situé près de l'extrémité de la goupille de suspension jusqu'à ce qu'elle s'enclenche dans sa position verrouillée

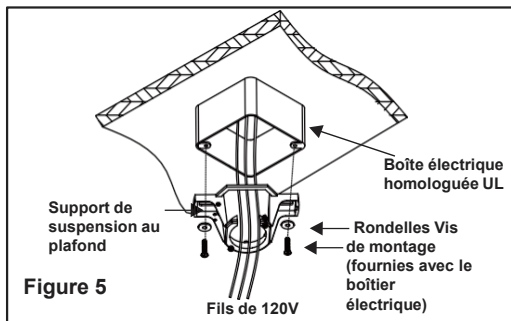


Figure 5

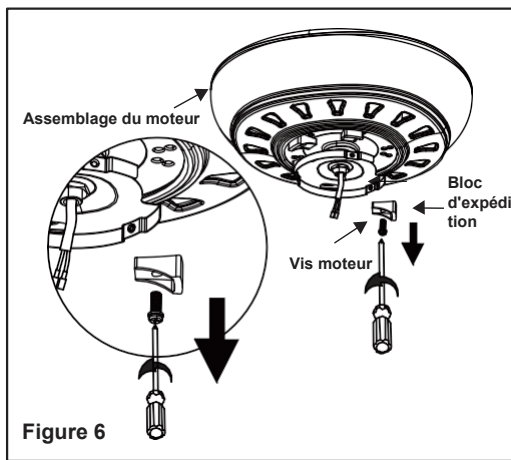


Figure 6

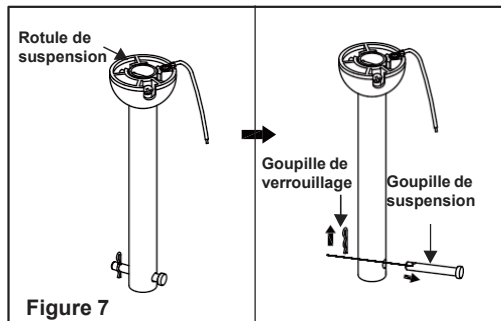


Figure 7

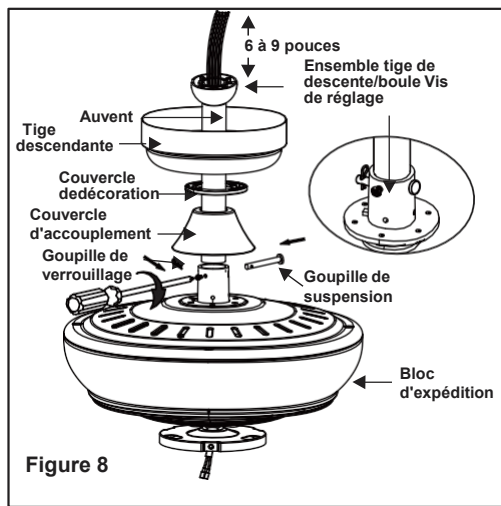


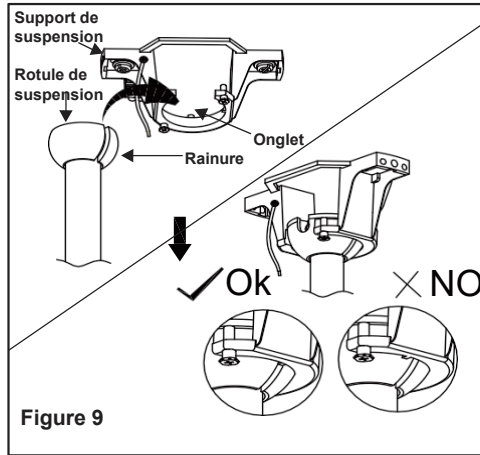
Figure 8

### AVERTISSEMENT

LA NON INSTALLATION DE LA GOUPILLE DE VERROUILLAGE COMME L'INDIQUE A L'ÉTAPE 6 POURRAIT ENTRAÎNER UN DESSERRAGE DU VENTILATEUR ET ÉVENTUELLEMENT SA CHUTE.

**Étape 6.** Alignez les trous de la partie inférieure de la tige descendante avec les trous du collier situé sur le dessus du boîtier du moteur (Fig. 8). Insérez délicatement la goupille de suspension dans les trous du collier et de la tige descendante. Veuillez à ne pas coincer la broche contre le câblage à l'intérieur de l'appareil.

**Étape 7.** Soulevez délicatement l'ensemble et posez la boule de suspension de la tige descendante sur le support de suspension fixé à la boîte de sortie. Assurez-vous que la rainure de la boule de suspension est alignée avec l'onglet du support de suspension. (Fig.9)



## Effectuer les raccordements électriques

**AVERTISSEMENT:** Pour éviter tout risque d'électrocution, assurez-vous d'avoir coupé l'alimentation du panneau de circuit principal avant de procéder au câblage.

**AVERTISSEMENT:** Le ventilateur doit être installé à une distance maximum de 20 pieds de l'unité de transmission pour

une transmission correcte du signal entre l'unité émettrice et l'unité réceptrice du ventilateur. Si vous estimez que vous n'avez pas suffisamment de connaissances ou d'expérience en câblage électrique, faites installer votre ventilateur par un électricien agréé.

**Étape 1.** Connectez les fils verts du filtre EMI et des pièces connexes selon le schéma de câblage comme indiqué dans la Figure 11, assurez-vous que le filtre EMI est correctement installé dans la boîte de sortie.

**Étape 2.** Placez le filtre EMI dans le boîtier de plafond avant d'installer le récepteur dans le support. Insérez le récepteur dans le support de montage avec le côté plat du récepteur face au plafond. (Fig. 10)

**Étape 3.** Connexions électriques du moteur au récepteur : Connectez le fil gris du ventilateur au fil gris du récepteur. Connectez le fil rouge du ventilateur au fil rouge du ventilateur. Connectez le fil jaune du ventilateur au fil jaune du récepteur. Connectez le fil bleu du ventilateur au fil bleu du récepteur. Connectez le fil blanc du ventilateur au fil blanc du récepteur. (Fig.11)

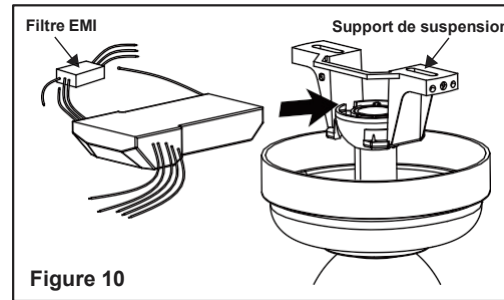


Figure 10

**Étape 4.** Connexions électriques du récepteur aux fils d'alimentation de la maison : Connectez le fil noir (chaud) du plafond au fil noir marqué "AC IN L" du récepteur. Connectez le fil blanc (neutre) du plafond au fil blanc marqué "AC IN N" du récepteur. (Fig.11)

Fixez toutes les connexions de fil avec les écrous de fil en plastique fournis.

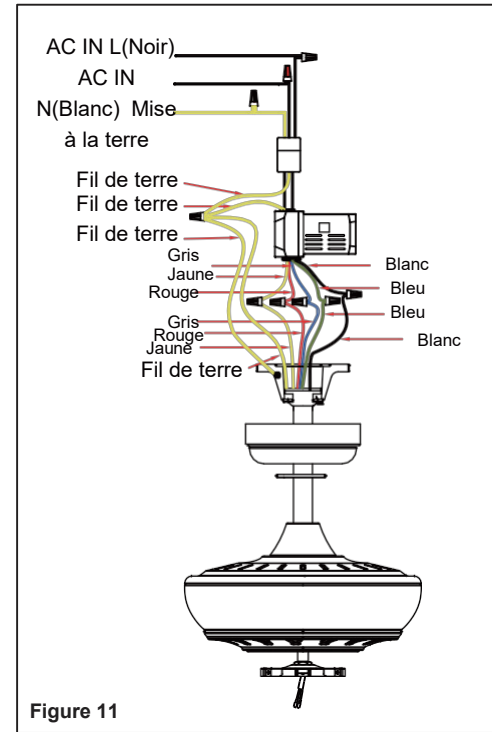


Figure 11

# Terminer l'installation

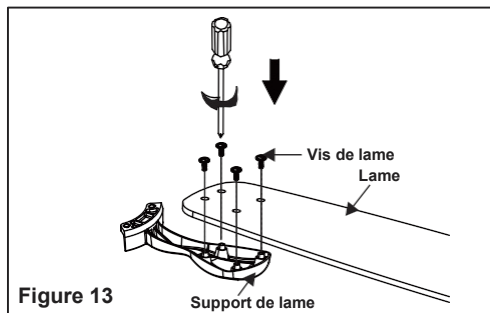
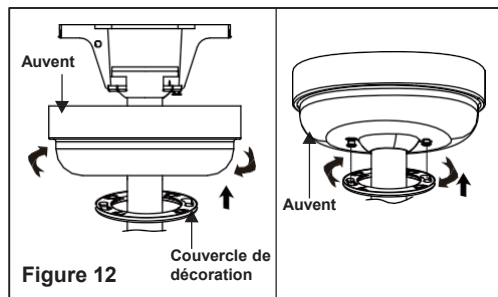
**Étape 1.** Placez les connexions dans la boîte de sortie du plafond

**Étape 2.** Faites glisser l'auvent jusqu'au support de montage et placez le trou de serrure de l'auvent sur la vis du support de montage, tournez l'auvent jusqu'à ce qu'il se verrouille en place au niveau de la section étroite des trous de serrure. (Fig. 12)

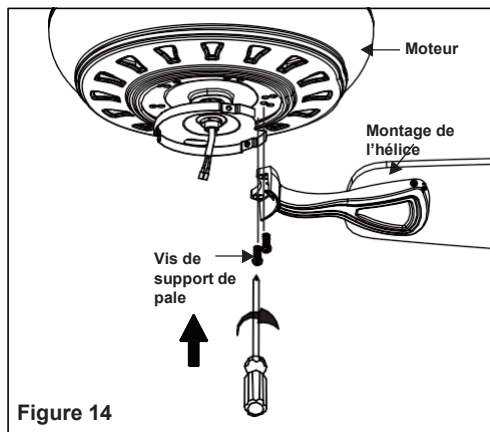
**Étape 3.** Alignez le trou circulaire de l'auvent avec le trou restant sur le support de montage, fixez en serrant les deux vis de réglage. Remarque: Ajustez les vis de l'auvent si nécessaire jusqu'à ce que l'auvent et son couvercle soient bien ajustés.

## AVERTISSEMENT

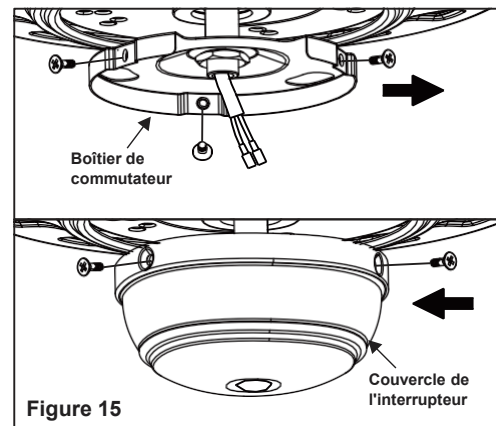
Assurez-vous que l'encoche du support de suspension s'insère correctement dans la rainure de la boule de suspension avant de fixer la verrière au support en tournant le boîtier jusqu'à ce qu'il tombe en place.



Fixez les lames aux supports de lames en utilisant quatre (4) vis à tige comme indiqué sur la figure 13. Répétez cette étape pour les 4 autres lames et supports de lame. Serrez les vis à fond.



Fixez l'ensemble de la lame au moteur à l'aide des vis du support de lame fournies, comme indiqué sur la Figure 14. Répétez les mêmes étapes jusqu'à ce que toutes les lames soient installées.



Fixez le couvercle de l'interrupteur au boîtier de l'interrupteur à l'aide des trois vis du boîtier de l'interrupteur. (Fig.15)

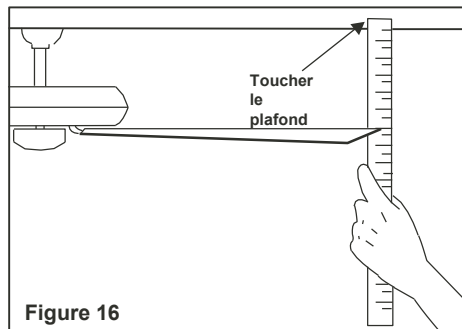
# Équilibrage des lames

Toutes les lames sont regroupées par poids. Comme la densité des bois naturels varie, le ventilateur peut osciller même si les pales ont le même poids.

La procédure suivante devrait corriger la plupart des problèmes d'oscillation du ventilateur. Vérifiez après chaque étape.

1. S'assurer que toutes les vis de la lame et du bras de la lame sont correctement serrées.
2. La plupart des problèmes d'oscillation du ventilateur se produisent lorsque le niveau des pales est inégal. Vérifier ce niveau en sélectionnant un point sur le plafond au-dessus de l'extrémité de l'une des pales. Mesurez cette distance comme indiqué sur la figure 16. Tourner le ventilateur jusqu'à ce que la pale suivante soit positionnée pour la mesure. Répéter l'opération pour chaque lame. L'écart de distance doit être égal ou inférieur à 1/8".
3. Utiliser le kit d'équilibrage de lame fourni si l'oscillation de la lame est encore perceptible.
4. Si l'oscillation de la lame est encore perceptible, l'échange de deux lames adjacentes (côte à côte) peut redistribuer le poids et éventuellement permettre un fonctionnement plus souple.

**AVERTISSEMENT**  
POUR RÉDUIRE LE RISQUE DE BLESSURE, NE PAS PLIER LES SUPPORTS DE PALES LORS DE L'INSTALLATION, DE L'ÉQUILIBRAGE DES PALES OU DU NETTOYAGE DU VENTILATEUR. N'INSÉREZ PAS DE CORPS ÉTRANGERS ENTRE LES PALES DU VENTILATEUR EN ROTATION.





Définitions des boutons de la télécommande :

1. Boutons "0 , 1 , 2 , 3 , 4 , 5 , 6":

Ces sept boutons permettent de régler la vitesse du ventilateur comme suit :

0 = Désactiver le ventilateur

1 = Vitesse minimale

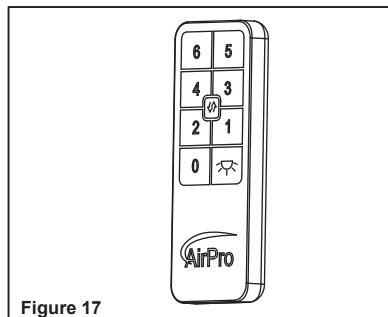
2 = Basse vitesse


3 = Moyenne basse vitesse

4 = Moyenne vitesse

5 = Vitesse moyenne élevée

6 = Vitesse élevée



2. Si vous utilisez un kit d'éclairage en option, la touche «  » permet d'allumer ou d'éteindre la lumière et de contrôler le réglage de la luminosité.

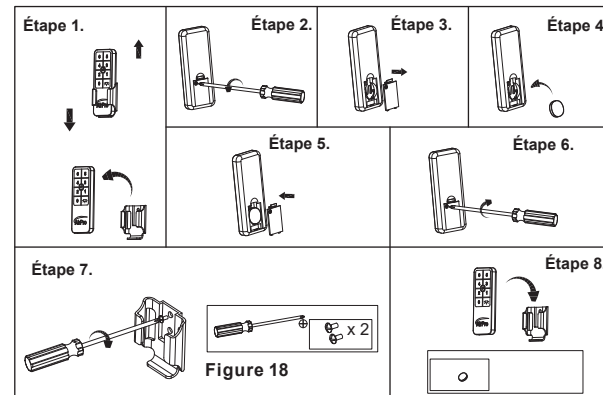
Appuyez et relâchez le bouton pour allumer ou éteindre la lumière. Appuyez et maintenez le bouton de fonction pour régler la luminosité

3. «  »: Interrupteur d'inversion (contrôle de la direction)

## Installation du support de la télécommande et de la pile

Fixez le support de télécommande avec la vis de montage du support de télécommande. (Figure 18)

Installez une pile 3V (incluse) dans la télécommande. Pour éviter d'endommager la télécommande, retirez la pile si vous ne l'utilisez pas pendant une longue période. (Figure 18)



NOTA: El Sistema Remoto viene equipado con una función para recordar frecuencias de códigos con hasta 65.0000 combinaciones para evitar posibles interferencias con otras unidades remotas. La frecuencia de su receptor y transmisor ha sido preajustada antes de salir de la fábrica. Recomendamos ajustar la frecuencia mientras se monta el ventilador de techo en lugar de utilizar la frecuencia inicial ajustada de fábrica. Los pasos para el cambio de frecuencia son los siguientes. Cuando la alimentación de CA del receptor esté encendida, al pulsar FAN OFF (Parada), primero se apagará el ventilador a los 60 segundos. Manteniendo pulsado durante más de 5 segundos el botón FAN OFF (Parada), el kit de luz parpadeará dos veces. El receptor indica que ha aprendido la función y podrá operar el ventilador de techo y la luz.

En caso de que la configuración no se puede realizar correctamente, apague el receptor, y repita los pasos anteriores.

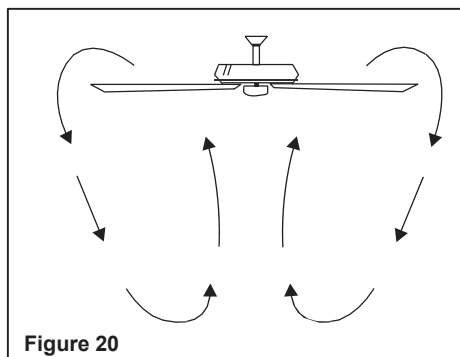
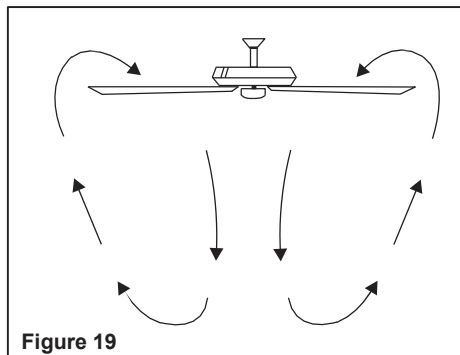
## Utilisation de votre émetteur 8.

Le réglage de la vitesse par temps chaud ou froid dépend de facteurs tels que la taille de la pièce, la hauteur du plafond, le nombre de ventilateurs, etc.

**REMARQUE:** Pour faire fonctionner la fonction marche arrière sur ce ventilateur, appuyez sur le bouton marche arrière pendant que le ventilateur est en marche.

Temps chaud - (Avant) Un flux d'air descendant crée un effet de refroidissement comme le montre la Fig. 19. Cela vous permet de régler votre climatiseur sur un réglage plus chaud sans affecter votre confort

Temps frais - (inversé) Un flux d'air ascendant déplace l'air chaud hors de la zone du plafond, comme le montre la Fig. 20. Cela vous permet de régler votre unité de chauffage sur un réglage plus froid sans affecter votre confort.



Voici quelques suggestions pour vous aider à entretenir votre ventilateur

1. En raison du mouvement naturel du ventilateur, certaines connexions peuvent se desserrer. **Vérifiez les connexions de support, les supports et les fixations des lames deux fois par an.** Assurez-vous qu'ils sont sécurisés. **(Il n'est pas nécessaire de retirer le ventilateur du plafond).**

2. Nettoyez périodiquement votre ventilateur pour l'aider à conserver son aspect neuf au fil des ans. Utilisez uniquement une brosse douce ou un chiffon non pelucheux pour éviter de rayer la finition. Le placage est scellé avec une laque pour minimiser la décoloration ou le ternissement. N'utilisez pas d'eau pour le nettoyage. Cela pourrait endommager le moteur ou le bois, voire provoquer un choc électrique.

3. Vous pouvez appliquer une légère couche de cire d'ameublement sur les lames de bois pour une protection supplémentaire et une plus grande beauté. Couvrez les petites éraflures avec une légère application de cirage.

**4. Il n'est pas nécessaire d'huiler votre ventilateur.** Le moteur est doté de roulements lubrifiés en permanence.

**IMPORTANT**

ASSUREZ-VOUS QUE LE COURANT EST COUPÉ AU NIVEAU DE LA BOÎTE DU PANNEAU ÉLECTRIQUE AVANT DE TENTER TOUTE RÉPARATION. SE RÉFÉRER À LA SECTION "EFFECTUER LES CONNEXIONS ÉLECTRIQUES"

## 9. Entretien de votre ventilateur

## Problème

Le ventilateur ne démarre pas.

Le ventilateur est bruyant.

Dysfonctionnement de la télécommande.

## Solution

1. Vérifier les fusibles ou disjoncteurs.
  2. Vérifiez les connexions des fils de ligne au ventilateur et les connexions des fils du commutateur dans le boîtier du commutateur.  
**MISE EN GARDE** S'assurer que l'alimentation principale est coupée.
  1. S'assurer que toutes les vis du carter du moteur sont correctement serrées.
  2. S'assurer que les vis qui fixent les supports des pales du ventilateur au moteur sont bien serrées.
  3. S'assurer que les connexions des écrous ne frottent pas l'une contre l'autre ou contre la paroi intérieure du boîtier de l'interrupteur.  
**MISE EN GARDE** S'assurer que l'alimentation principale est coupée.
  4. Prévoir une période de rodage de 24 heures. La plupart des bruits associés à un nouveau ventilateur disparaissent pendant ce temps.
  5. Si vous utilisez un kit d'éclairage en option, s'assurer que les vis de fixation de la verrerie sont bien serrées. Vérifiez que l'ampoule est également bien fixée.
  6. Veillez à ce que l'auvent supérieur se trouve à une courte distance du plafond. Il ne doit pas toucher le plafond.
- 
1. Ne raccordez pas ce ventilateur à un ou plusieurs variateurs de vitesse muraux.

*Dépannage 10.*

Taille du ventilateur	Vitesse	Volts	Amps	Watts	RPM	CFM	Poids net:	Poids Brut.	C.F.
72"	Faible	120	0,08	3,51	49	3467,15	21,38 lbs	25,08 lbs	3,40'
	Haut	120	0,54	33,45	122	8760,33			

Ces mesures sont approximatives. Ils ne comprennent pas les ampères et les watts utilisés par le kit d'éclairage.

Cet appareil est conforme à la section 15 des règlements FCC. Le fonctionnement est soumis aux deux conditions suivantes: (1) cet appareil pourrait ne pas causer des interférences dangereuses, et (2) cet appareil doit accepter toute interférence reçue, y compris l'interférence pouvant causer l'opération non souhaitée.

**Avertissement:** Les changements ou modifications non approuvées par la partie responsable de la conformité pourrait annuler l'autorité de l'utilisateur à opérer cet équipement.

**REMARQUE:** Cet équipement a été testé et déclaré conforme aux limites pour appareils numériques de classe B, selon la section 15 des règlements de la FCC. Ces limites sont conçues pour fournir une protection raisonnable contre l'interférence dangereuse dans les installations résidentielles Cet équipement, génère, utilise et pourrait radier l'énergie de fréquence radio, et si installé et utilisé en violation des instructions, pourrait causer une interférence dangereuse aux communications radio.

Cependant, il n'y a aucune garantie que l'interférence n'apparaîtra pas dans une installation particulière. Si cet équipement cause des interférences dangereuses à la réception radio et télévision ce qui pourrait être déterminé en éteignant et rallumant l'équipement, il est recommandé à l'utilisateur de corriger l'interférence en suivant l'une ou plusieurs des mesures suivantes:

- Réorienter ou délocaliser l'antenne de réception.

©2020 Progress Lighting, Inc.  
701 Millennium Blvd.,  
Greenville, SC 29607  
All Rights Reserved

- Augmenter la séparation entre l'équipement et le récepteur.
- Connecter l'équipement dans une sortie sur un circuit différent de celui du récepteur.
- Consulter le revendeur ou un technicien de radio/TV professionnel pour assistance.

## *11. Spécifications*

## Manual de Instalación del Ventilador de Techo



# Garantía limitada de por vida

Los motores de los ventiladores de Progress Lighting están garantizados al primer comprador contra defectos eléctricos y/o mecánicos siempre y mientras el primer comprador sea aún el propietario del ventilador. Se garantiza que los interruptores de cadena de tracción, los interruptores inversos, los condensadores y los acabados metálicos no tienen defectos materiales ni de manufacturación durante un período de 1 año a partir de la fecha de compra. Esta garantía no cubre la deformación de las aspas de madera o plástico ni la corrosión y/o el deterioro de los acabados de los ventiladores instalados a menos de diez millas de cualquier costa marina. Es posible que se apliquen garantías ampliadas para los productos calificados como ENERGY STAR®.

[#]Se garantiza que los ventiladores de techo de Progress Lighting con fuentes de luz LED incorporadas, una vez instalados correctamente y en condiciones normales de uso, están libres de defectos materiales y de mano de obra que hagan que las fuentes de luz no funcionen de acuerdo con las especificaciones durante (i) cinco (5) años a partir de la fecha de compra en los módulos de luz LED y componentes eléctricos para ventiladores utilizados en residencias unifamiliares, y (ii) tres (3) años a partir de la fecha de compra en los módulos de luz LED y componentes eléctricos para ventiladores utilizados en aplicaciones multifamiliares o comerciales. Las bombillas LED suministradas por Progress Lighting no tienen otra garantía que la del fabricante. Las bombillas sin LED no tienen garantía.

Con comprobante de compra y durante los primeros 30 días, el primer comprador podrá devolver el ventilador defectuoso al lugar de compra, para su reemplazo. Pasados los 30 días, el primer comprador DEBE contactar con Progress Lighting al (864) 678-1000 para la reparación o el reemplazo, que se determinará a criterio exclusivo de Progress Lighting y será la compensación única y exclusiva para el comprador.

Se excluye la mano de obra y el transporte. Esta garantía no cubre los costos o cargos asociados con la mano de obra (incluidos, entre otros, los honorarios del electricista) necesaria para instalar, quitar o reemplazar el ventilador o cualquiera de sus partes.

Esta garantía no se aplicará a ninguna pérdida o daño que resulte (i) del uso y desgaste normales o de una alteración, uso indebido o descuido, o (ii) de la instalación, operación, reparación o mantenimiento inadecuados por parte del primer comprador o de un tercero, incluidos, entre otros, suministro de voltaje inadecuado o sobrecarga eléctrica, uso de piezas o accesorios inadecuados, reparación no autorizada (realizada o que se intentó realizar) o falta de mantenimiento del ventilador.

LAS GARANTÍAS ANTERIORES ESTABLECEN LA OBLIGACIÓN DE GARANTÍA TOTAL DE PROGRESS LIGHTING Y EL ÚNICO Y EXCLUSIVO RECURSO DEL PRIMER COMPRADOR EN RELACIÓN CON DICHO PRODUCTO. PROGRESS LIGHTING NO SE HACE RESPONSABLE DE LOS DAÑOS (INCLUIDOS LOS INDIRECTOS, ESPECIALES, INCIDENTALES O CONSECUENTES), POR FALLOS DEL PRODUCTO, YA SEA QUE SURJAN DEL INCUMPLIMIENTO DE LA GARANTÍA, DEL CONTRATO O DE CUALQUIER OTRO MODO. ESTA GARANTÍA REEMPLAZA CUALQUIER OTRA GARANTÍA, YA SEA EXPRESA O IMPLÍCITA, INCLUSO AQUELLAS DE COMERCIALIZACIÓN, IDONEIDAD PARA UN FIN EN PARTICULAR O NO INCUMPLIMIENTO.

Algunos países no permiten limitaciones en cuanto a la duración de una garantía implícita o la exclusión o las limitaciones de los daños incidentales o consecuentes, por lo que es posible que las limitaciones y exclusiones anteriores no se apliquen en su caso. Esta garantía le da derechos específicos y puede tener otros derechos que varían de un país a otro.

Fecha de compra \_\_\_\_\_

Origen de la venta \_\_\_\_\_

Modelo N.º: \_\_\_\_\_ P250070

N.º de serie \_\_\_\_\_

No. de proveedor \_\_\_\_\_ 126900

785247248803

785247248797

UPC  785247248810



Normas de seguridad .....	1.
Desembalaje del ventilador .....	2.
Cómo instalar el ventilador .....	3.
Operando el controlador .....	8.
Cuidando el ventilador .....	9.
Solución de problemas .....	10.
Especificaciones .....	11.

*Índice*

1. Para reducir el riesgo de una descarga eléctrica, asegúrese de que la electricidad se haya apagado en el cortacircuitos o en la caja de fusibles antes de empezar.
2. Todo cableado debe realizarse conforme al Código Eléctrico Nacional y los códigos eléctricos locales. La instalación eléctrica debe ser realizada por un electricista cualificado y autorizado.
3. **ADVERTENCIA:** Para reducir el riesgo de descarga eléctrica e incendio, no utilice este ventilador con ningún dispositivo de control de velocidad del ventilador de estado sólido.
4. **ADVERTENCIA:** Para reducir el riesgo de incendio, descarga eléctrica o lesiones personales, móntelo en una caja de salida marcada como "Aceptable para soporte de ventilador de 15,9 kg (35 libras) o menos" y utilice los tornillos de montaje suministrados con la caja de salida. La mayoría de las cajas de distribución utilizadas para soportar accesorios de iluminación, no son aptas para colgar un ventilador y podría ser necesario cambiarlas. Debido a la complejidad de la instalación de este ventilador, se recomienda encarecidamente la intervención de un electricista cualificado.

**ADVERTENCIA**

PARA REDUCIR EL RIESGO DE INCENDIO, DESCARGA ELÉCTRICA O LESIONES PERSONALES, MONTE EL VENTILADOR EN UNA CAJA DE SALIDA MARCADA COMO ACEPTABLE PARA EL SOPORTE DEL VENTILADOR.

9. Para evitar lesiones personales o daños al ventilador y a otras partes del mismo, tenga cuidado cuando trabaje alrededor del ventilador o lo limpie.
10. No utilice agua ni detergentes para limpiar el ventilador o las aspas. Un paño seco o ligeramente humedecido será adecuado para la mayoría de las limpiezas.
11. Después de hacer las conexiones eléctricas, los conductores empalmados deben ser girados hacia arriba y empujados cuidadosamente hacia el interior de la caja de distribución. Los cables deben estar separados con el conductor de tierra y el conductor de tierra del equipo en un lado de la caja de salida.
12. Los diagramas eléctricos son sólo para referencia. Los kits de luces que no se empaquetan con el ventilador deben ser homologados por UL y marcados como aptos para su uso con el modelo de ventilador que está instalando. Los interruptores deben ser de Interruptores UL de uso general. Consulte las instrucciones que se adjuntan con los kits de iluminación.

**ADVERTENCIA**

PARA REDUCIR EL RIESGO DE LESIONES PERSONALES, NO DOBLE LOS SOPORTES DE LAS ASPAS DURANTE EL MONTAJE O DESPUÉS DE LA INSTALACIÓN. NO INTERPONGA OBJETOS EN LA TRAYECTORIA DE LAS ASPAS.

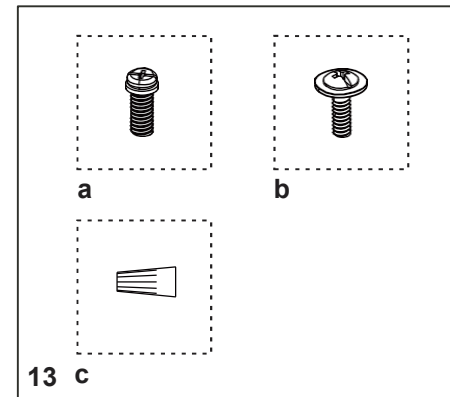
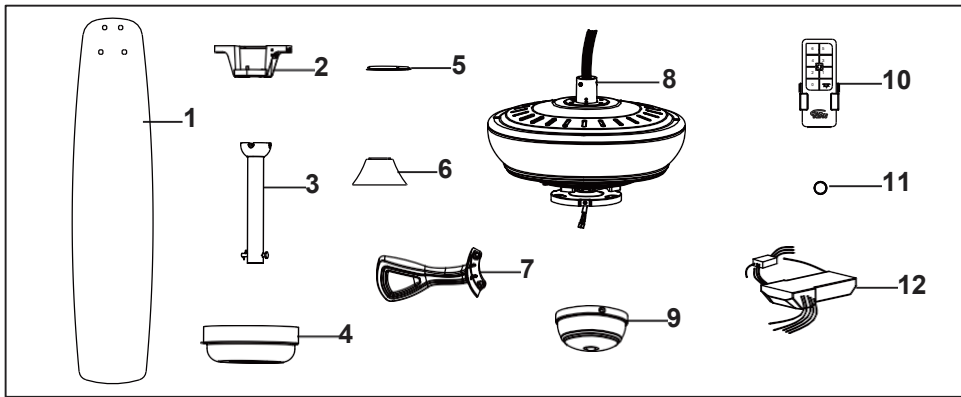
5. La caja de distribución y la estructura de soporte deben estar montados de manera segura y deben ser capaces de soportar, con fiabilidad, un mínimo de 35 libras (15,9 Kgs). Use solo las cajas de distribución de la lista UL marcadas "PARA SOPORTE DE VENTILADORES".
6. El ventilador debe montarse con un mínimo de 7 pies (2,1 metros) de distancia desde el borde de posterior de las aspas hasta el suelo.
7. Para operar la función de reversa en este ventilador, presione el botón de reversa mientras el ventilador está funcionando.
8. Evite ni deje que se coloquen objetos que interfiera el giro de lasaspas.

**AVISO**

LEA Y GUARDE TODAS LAS INSTRUCCIONES

# *1. Normas de seguridad*





Desembale el ventilador y revise el contenido. Los siguientes componentes deberían encontrarse en el embalaje:

- |                                 |  |
|---------------------------------|--|
| 1. Las aspas del ventilador (5) | 7. Juego de soportes de cuchillas (5)                                      |
| 2. Soporte colgante             | 8. Ensamblaje del motor del ventilador                                     |
| 3. Ensamblaje de la tija        | 9. Tapa del interruptor  |
| 4. Florón superior              | 10. El controlador incluye un soporte de pared +<br>2 tornillos de montaje |
| 5. Chapa decorativa             | 11. Batería de 3 V   |
| 6. Florón inferior              | 12. Receptor con 6 tuercas para cables                                     |

13. Contenido de las bolsas con partes sueltas:

**a. Piezas metálicas para acoplamiento de soporte de las aspas**

(11 tornillos)

**b. Piezas metálicas para acoplamiento de las aspas**

(21 tornillos)

**c. Herramientas de montaje**

Tuercas para cables (4)

## *Desembalaje del ventilador 2.*

## Herramientas necesarias

Destornillador Phillips, destornillador de ranura recta, llave ajustable, escalera de mano y cortacables.

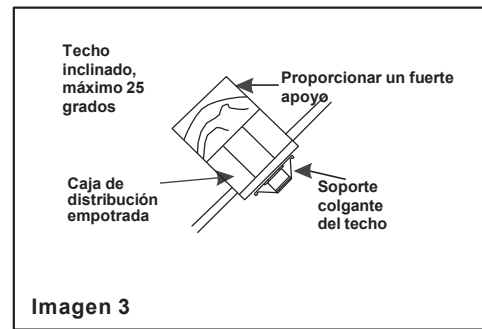
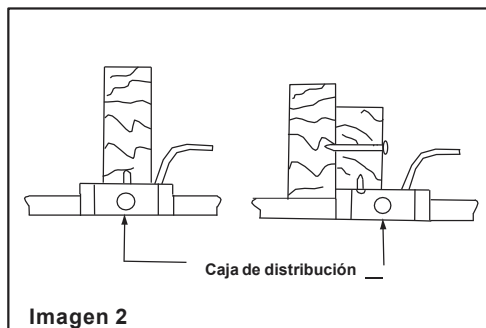
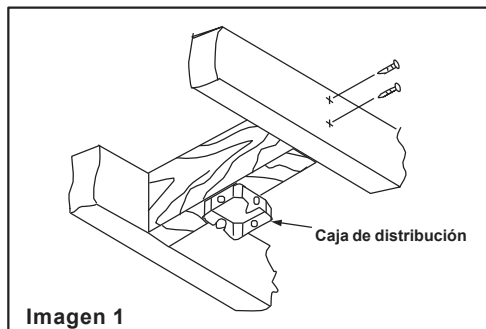
## Opciones de montaje

Si no existe una caja de montaje homologada por UL, lea las siguientes instrucciones. Desconecte la corriente quitando los fusibles o apagando en los cortacircuitos.

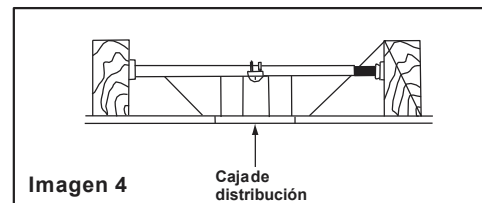
Asegure la caja de distribución directamente a la estructura del edificio. Utilice fijaciones y materiales de construcción apropiados. La caja de distribución y la estructura de soporte deben estar montados de manera segura y deben ser capaces de soportar el peso del ventilador con estabilidad (al menos 16 Kg). No utilice cajas de distribución de plástico.

### ADVERTENCIA

PARA REDUCIR EL RIESGO DE INCENDIO, DESCARGA ELÉCTRICA U OTRAS LESIONES PERSONALES, MONTE EL VENTILADOR SOLO EN UNA CAJA ELÉCTRICA MARCADA COMO ACEPTABLE PARA EL SOPORTE DEL VENTILADOR Y UTILICE LOS TORNILLOS DE MONTAJE SUMINISTRADOS CON LA CAJA ELÉCTRICA. LAS CAJAS DE DISTRIBUCIÓN QUE SE UTILIZAN COMÚNMENTE PARA EL APOYO DE LOS ACCESORIOS DE ILUMINACIÓN PUEDEN NO SER ACEPTABLES PARA EL APOYO DE LOS VENTILADORES Y PUEDE SER NECESARIO SUSTITUIRLAS. CONSULTE A UN ELECTRICISTA CUALIFICADO EN CASO DE DUDA.



**Nota:** Puede que necesite una tija más larga para mantener la distancia adecuada del aspa cuando se instale en un techo empinado e inclinado.



Para colgar el ventilador en un lugar donde ya existe un accesorio pero no hay una viga en el techo, es posible que necesite una barra de suspensión de instalación como la que se muestra en la Imagen 4 (disponible en su distribuidor Progress Lighting).

## 3. Cómo instalar el ventilador

## Instalación del ventilador

**RECUERDE** desconectar/apagar la corriente. Siga los siguientes pasos para colgar el ventilador correctamente:

**Paso 1.** Pase los cables de suministro de 120 voltios a través del agujero central del soporte colgante del techo como se muestra en la Imagen 5.

**Paso 2.** Asegure el soporte colgante a la caja eléctrica del techo con los tornillos y arandelas que se suministran con la caja eléctrica.

**Paso 3.** Retire los 5 tornillos del motor premontados en la parte inferior del conjunto del motor, desechando los tornillos y los bloques de transporte premontados. (Fig.6)

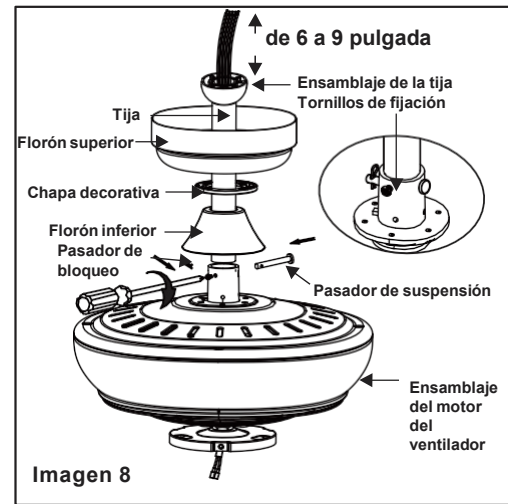
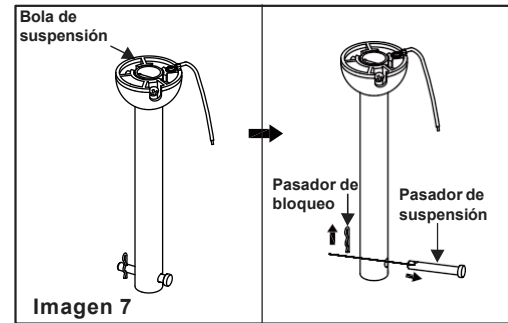
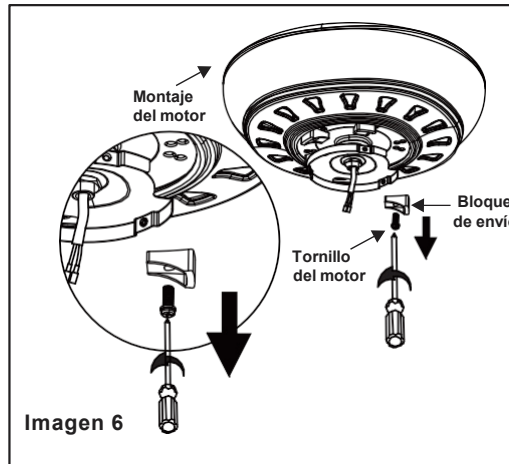
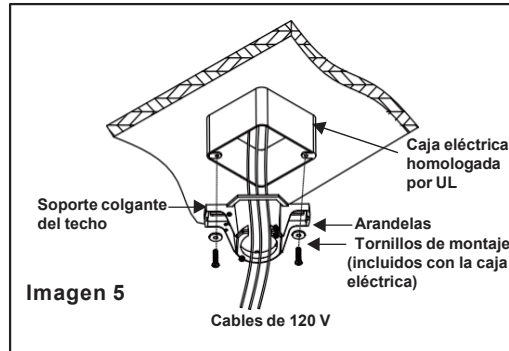
**Paso 4.** Quite el pasador de suspensión, el pasador de bloqueo y los tornillos de fijación de la parte superior del ensamblaje del motor. (Img. 7)

**Paso 5.** Pase los cables que salen de la parte superior del motor del ventilador a través del florón inferior, el florón superior y la chapa decorativa y luego a través de la tija. (Img. 8)

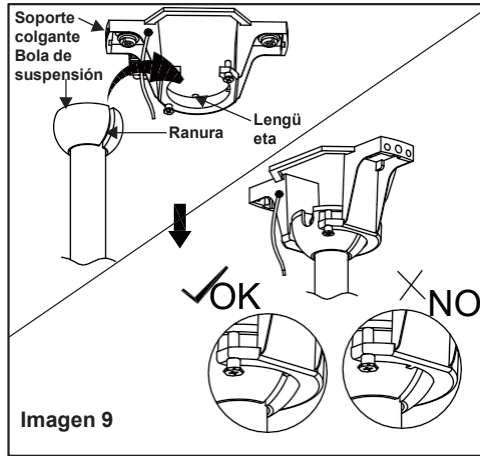
**ADVERTENCIA**  
SI NO SE INSTALA  
CORRECTAMENTE EL PASADOR  
DE BLOQUEO COMO SE INDICA  
EN EL PASO 6, EL VENTILADOR  
PODRÍA AFLOJARSE Y CAER.

**Paso 6.** Alinee los orificios de la parte inferior de la tija con los orificios del florón inferior en la parte superior de la carcasa (alojamiento) del motor (Img. 8). Inserte cuidadosamente el pasador de suspensión a través de los agujeros del florón inferior y la tija. Tenga cuidado de no atascar el pasador contra el cableado dentro de la tija.

Introduzca el pasador de bloqueo a través del orificio cerca del extremo del pasador de suspensión hasta que encaje en su posición de bloqueo, y apriete los tornillos de fijación como se muestra en la Img. 8. Corte el exceso en la sujeción de cables, dejando aprox. de 15,30 a 22,90 cm por encima de la parte superior de la tija/bola de suspensión.



**Paso 7.** Levante con cuidado el conjunto y apoye la bola de suspensión del conjunto de la barra de bajada en el soporte de suspensión fijado a la caja de salida. Asegúrese de que la ranura de la bola de suspensión esté alineada con la lengüeta del soporte de suspensión. (Fig.9)



## CONEXIONES ELÉCTRICAS

**ADVERTENCIA:** Para evitar posibles descargas eléctricas, asegúrese de que la electricidad esté desconectada en la caja de fusibles principal antes de realizar el cableado.

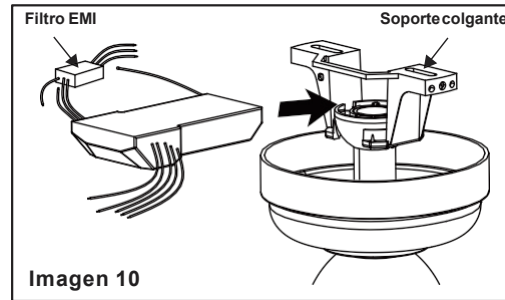
**ADVERTENCIA:** El ventilador debe instalarse a una distancia máxima de 6 metros de la unidad transmisora para una correcta transmisión de la señal entre la unidad transmisora y la unidad receptora del ventilador.

Si siente que no tiene suficiente conocimiento o experiencia en cableado eléctrico, pida o contrate a un electricista con licencia que le instale el ventilador.

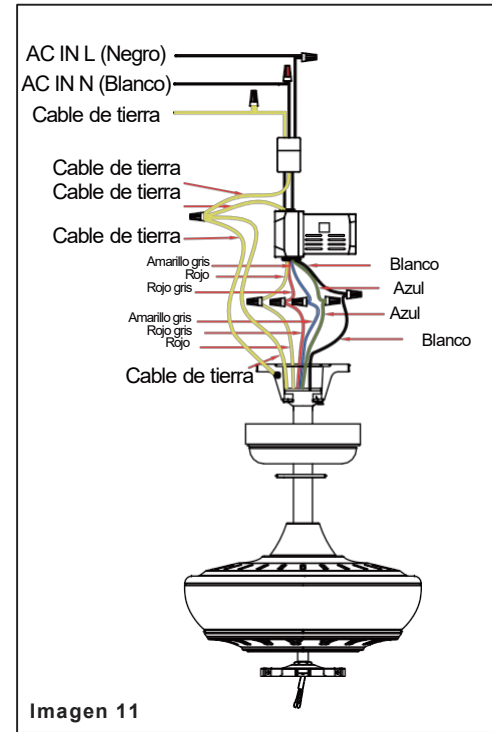
**Paso 1.** Conecte los cables verdes del filtro EMI y las partes correspondientes según el diagrama de cableado como se muestra en la Figura 11, asegúrese de que el filtro EMI esté bien colocado en la caja de distribución.

**Paso 2.** Coloque el filtro EMI en la caja del techo antes de instalar el receptor en el soporte. Inserte el receptor en el soporte de montaje con el lado plano del receptor mirando hacia el techo. (Img. 10)

**Paso 3.** Conexiones eléctricas del motor al receptor: conecte el cable gris del ventilador al cable gris del receptor. Conecte el cable rojo del ventilador al cable rojo del receptor. Conecte el cable amarillo del ventilador al cable amarillo del receptor. Conecte el cable azul del ventilador al cable azul del receptor. Conecte el cable blanco del ventilador al cable blanco del receptor. (Img.11)



**Paso 4.** Conexiones eléctricas del receptor a los cables de alimentación doméstica: conecte el cable negro (caliente) del techo al cable negro marcado "AC IN L" del receptor. Conecte el cable blanco (neutro) proveniente del techo al cable blanco marcado "AC IN N" del receptor. (Img. 11)  
Asegure todas las conexiones de los cables con las tuercas de plástico para cables suministradas.



## Terminando la instalación

**Paso 1.** Meta las conexiones ordenadamente en la caja de distribución del techo.

**Paso 2.** Deslice el florón superior hasta el soporte de montaje y coloque la ranura de bocallave en el florón superior sobre el tornillo del soporte de montaje, gire el florón superior hasta que se bloquee en su lugar en la sección estrecha de los agujeros de bocallave. (Img. 12)

**Paso 3.** Alinee el agujero circular del florón superior con el agujero restante del soporte de montaje, asegúrelo apretando los dos tornillos de fijación. Nota: Ajuste los tornillos del florón superior según sea necesario hasta que el florón superior y la chapa decorativa estén ajustados.

### ADVERTENCIA

Asegúrese de que la muesca del soporte colgante se asiente correctamente en la ranura de la bola de suspensión antes de fijar el florón superior al soporte, girando la carcasa hasta que caiga en su lugar.

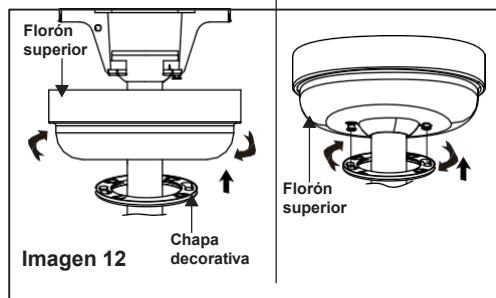


Imagen 12

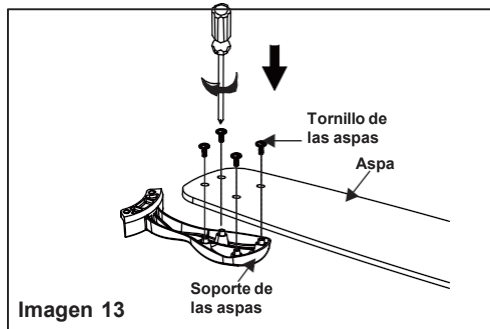


Imagen 13

Asegure las aspas a los soportes de las aspas usando cuatro (4) tornillos de aspas como se muestra en la Figura 13. Repita este paso para las 4 cuchillas restantes y los soportes de las cuchillas. Apriete bien los tornillos.

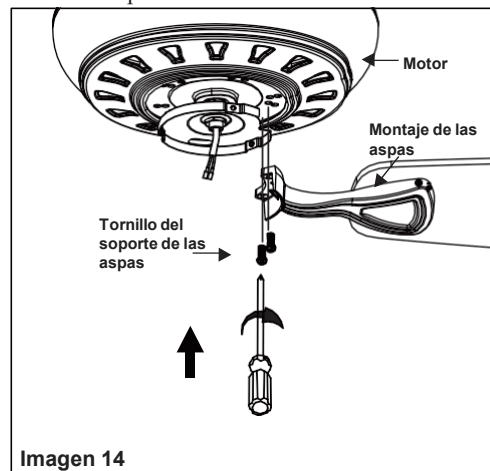


Imagen 14

Fijar el conjunto de las cuchillas al motor utilizando los tornillos del soporte de las cuchillas suministrados como se muestra en la Figura 14. Repita los mismos pasos hasta que todas las cuchillas estén instaladas.

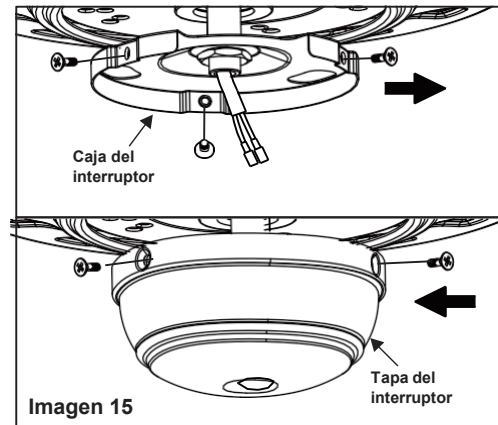


Imagen 15

Asegure la tapa del interruptor a la carcasa del interruptor utilizando los tres tornillos de la carcasa del interruptor. (Img.15)

## Equilibrado de las aspas

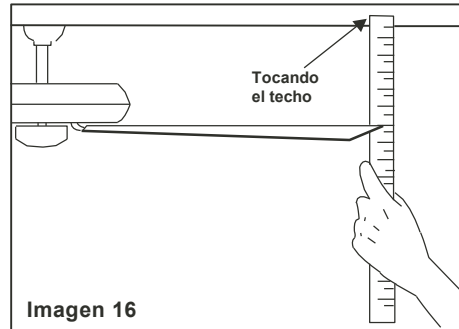
Todas las aspas están agrupadas por peso. Debido a que las maderas naturales varían en densidad, el ventilador puede tambalearse aunque las aspas tengan el mismo peso.

El siguiente procedimiento debería corregir la mayoría de los problemas de bamboleo del ventilador. Haga una comprobación después de cada paso.

1. Compruebe que todos los tornillos de las aspas y los soportes del asa estén bien sujetos.
2. La mayoría de los problemas de tambaleo de los ventiladores se producen cuando los niveles de las aspas son desiguales. Compruebe un nivel seleccionando un punto en el techo por encima de la punta de una de las aspas. Mida la distancia como se muestra en la imagen 16. Gire el ventilador hasta que la siguiente aspa esté posicionada para medir la distancia. Repita con cada aspa. La variación de las distancias no debe superar los 3 mm de margen.
3. Use el kit de equilibrado de aspas adjunto si el tambaleo de las aspas aún es notable.
4. Si el tambaleo del asa es todavía notable, el intercambio de dos aspas adyacentes (una al lado de la otra) puede redistribuir el peso y posiblemente dar lugar a un funcionamiento más suave.

7.

**ADVERTENCIA**  
PARA REDUCIR EL RIESGO DE LESIONES PERSONALES, NO DOBLE LOS SOPORTES DE LAS ASPAS AL INSTALAR, EQUILIBRAR LAS ASPAS O LIMPIAR EL VENTILADOR. NO INSERTE OBJETOS EXTRAÑOS ENTRE LAS ASPAS GIRATORIAS DEL VENTILADOR.



## Funcionamiento de los botones del mando a distancia:

1. Botones "0 , 1 , 2 , 3 , 4 , 5 , 6":

Estos siete botones se utilizan para ajustar la velocidad del ventilador como se indica a continuación:

0 = Apagar el ventilador

1 = Velocidad mínima

2 = Velocidad baja

3 = Velocidad media baja

4 = Velocidad media

5 = Velocidad media alta

6 = Velocidad alta

2.Si se utiliza un kit de luces opcional, el botón "☀️" enciende o apaga la luz y también controla el ajuste del brillo. Presione y libere el botón para encender o apagar la luz. Mantenga pulsado el botón para ajustar el brillo deseado.

3.Botón "↶↷": Interruptor de retroceso (controla la dirección)

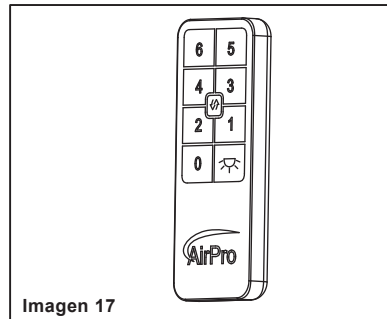
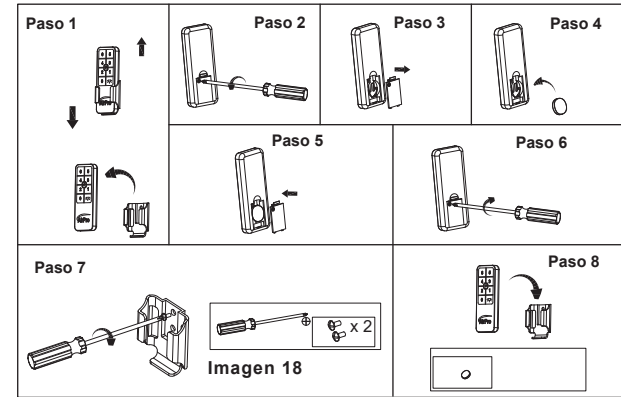


Imagen 17

## Instalación del soporte del mando a distancia y de la batería

Fije el soporte del mando a distancia con el tornillo de montaje del soporte del mando a distancia. (Imagen 18)

Ponga una pila de 3V (incluida) en el mando a distancia. Para no dañar el mando a distancia en el caso de fugas, extraiga las pilas si no va a utilizar el mando durante un tiempo prolongado. (Imagen 18)



REMARQUE : Le système à distance est équipé d'une fonction de fréquence d'apprentissage qui comporte 65K combinaisons de codes pour éviter toute interférence potentielle avec d'autres unités à distance. La fréquence de votre récepteur et de votre émetteur ont été préréglées en usine. Nous recommandons de régler la fréquence pendant l'installation du ventilateur de plafond plutôt que d'utiliser la fréquence initiale réglée par l'usine. L'opération de changement de fréquence est la suivante. Lorsque le récepteur est sous tension, la première pression sera Transmetteur FAN OFF (Stop) dans les 60 secondes. En outre, si vous maintenez ce bouton FAN OFF (Stop) pendant plus de 5 secondes, le kit d'éclairage clignote deux fois. Le récepteur va apprendre le fonctionnement, vous pouvez faire fonctionner le ventilateur de plafond et la lumière.

Si l'installation ne réussit pas, veuillez couper l'alimentation du récepteur, puis, Répétez l'action ci-dessus.

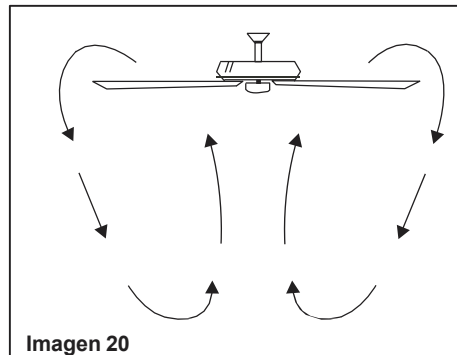
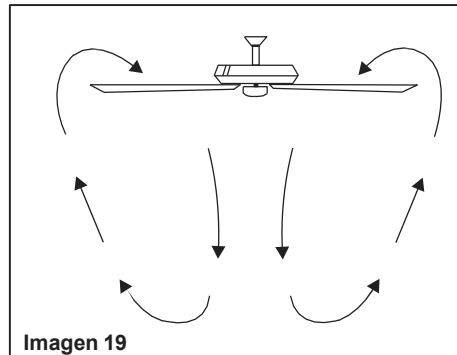
# Operando el controlador 8.

Los ajustes de velocidad para clima cálido o frío dependen de factores como el tamaño de la habitación, la altura del techo, el número de ventiladores, etcétera.

**NOTA:** Para operar la función de reversa en este ventilador, presione el botón de reversa en el control remoto mientras el ventilador está funcionando.

Tiempo cálido - (Hacia adelante) Un flujo de aire hacia abajo crea un efecto de enfriamiento como se muestra en la Fig. 19. Esto le permite poner el aire acondicionado en un ajuste más cálido sin afectar su comodidad.

Tiempo frío - (Inverso) Un flujo de aire ascendente desplaza el aire caliente del área del techo como se muestra en la Fig. 20. Esto le permite poner la unidad de calefacción en un ajuste más frío sin afectar a su comodidad.



Le damos algunas sugerencias a tener en cuenta para cuidar su ventilador.

1. Debido al movimiento natural del ventilador, algunas conexiones o fijaciones pueden aflojarse. **Revise todas las fijaciones de soporte, ensamblamientos y los accesorios de las aspas dos veces al año.** Asegúrese de que está todo bien firme. **(No es necesario quitar el ventilador del techo).**

2. Limpie su ventilador periódicamente para ayudar a mantener una apariencia nueva a lo largo de los años. Use solo un cepillo suave o un paño sin pelusa para evitar rayar el acabado. El revestimiento está sellado con una laca para minimizar la decoloración o el deslustre. No use agua para limpiarlo. Podría dañar el motor, o la madera, o posiblemente causarle una descarga eléctrica.

3. Puede aplicar una ligera capa de cera para muebles a las láminas de madera para obtener una protección adicional y una mayor belleza. Cubra los pequeños arañazos con una ligera aplicación de betún.

4. **No es necesario engrasar tu ventilador.** El motor tiene cojinetes permanentemente lubricados .

## 9. Cuidando el ventilador

**AVISO IMPORTANTE**  
ANTES DE INTENTAR HACER ALGUNA REPARACIÓN, ASEGÚRESE DE QUE LA ALIMENTACIÓN ELÉCTRICA ESTÉ APAGADA EN LA CAJA DEL TABLERO DE ELECTRICIDAD. CONSULTE LA SECCIÓN "CONEXIONES ELÉCTRICAS".



## Problema

## Solución

El ventilador no se enciende.

1. Revise los fusibles o los disyuntores del circuito.
2. Revisa las conexiones de los cables del ventilador y las conexiones de los cables del interruptor en la caja del interruptor.

**ADVERTENCIA:** Asegúrese de que la alimentación principal esté apagada.

El ventilador hace ruido.

1. Asegúrese de que todos los tornillos de la carcasa del motor estén bien ajustados.
2. Asegúrese de que los tornillos que unen los soportes de las aspas al cuerpo del motor están bien ajustados.
3. Asegúrese de que las conexiones de tuerca de cable no choquen unas con otras o con la pared interior de la caja del interruptor.  
**ADVERTENCIA:** Asegúrese de que la alimentación principal esté apagada.
4. Póngalo o déjelo en funcionamiento durante 24 horas. La mayoría de los ruidos asociados a un nuevo ventilador desaparecen durante este tiempo.
5. Si utiliza un kit de iluminación opcional, asegúrese de que los tornillos que aseguran la cristalería estén bien apretados. Compruebe que la bombilla también es segura.
6. Asegúrese de que el florón superior esté a una corta distancia del techo. Pero no debe tocar el techo.

Funcionamiento incorrecto del mando a distancia

1. No conecte el ventilador con control(es) de velocidad variable fijado en la pared.

*Solución de problemas 10.*

Tamaño del ventilador	Velocidad	Votage	Amperios	Vatios	RPM	PCM	PESO NETO	PESO BRUTO	PIES CÚB.
72"	Baja	120	0,08	3,51	49	3467,15	9.7 KG	11.38 KG	3,40'
	Alta	120	0,54	33,45	122	8760,33			

Estas son medidas aproximadas. No incluyen los amperios y vataje usados por el kit de luz.

Este dispositivo cumple con la Parte 15 de las normas de la FCC. El funcionamiento está sujeto a las dos condiciones siguientes: (1) Este dispositivo no puede causar interferencias perjudiciales, y (2) este dispositivo debe aceptar cualquier interferencia recibida, incluyendo aquellas que puedan causar un funcionamiento no deseado.

**Advertencia:** Los cambios o modificaciones en esta unidad que no estén expresamente aprobados por la parte responsable del cumplimiento podrían anular la autoridad del usuario para operar el equipo.

**Nota:** Se ha comprobado que este equipo cumple los límites para dispositivos digitales de clase B, de acuerdo con el apartado 15 de las normas de la FCC. These limits are designed to provide reasonable protection against harmful rozamientos in a residential installation. Este dispositivo genera, utiliza y puede irradiar energía de radiofrecuencia y, si no se instala y utiliza de acuerdo con las instrucciones, puede causar interferencias perjudiciales en las comunicaciones de radio.

Sin embargo, no hay garantía de que no se produzcan interferencias en una instalación concreta. Si este equipo causa interferencias perjudiciales en la recepción de radio o televisión, lo cual puede determinarse encendiendo y apagando el equipo, se recomienda al usuario que intente corregir la interferencia mediante una o más de las siguientes medidas:

- Reorientar o reubicar la antena receptora.
- Aumentar la separación entre el equipo y el receptor.
- Conecte el equipo en una toma de corriente de un circuito diferente al que está conectado el receptor.
- Consulte al distribuidor o a un técnico de radio/TV experimentado para obtener ayuda.

©2020 Progress Lighting, Inc.  
701 Millennium Blvd.,  
Greenville, SC 29607  
All Rights Reserved

## *11. Especificaciones*