

Installation Instructions

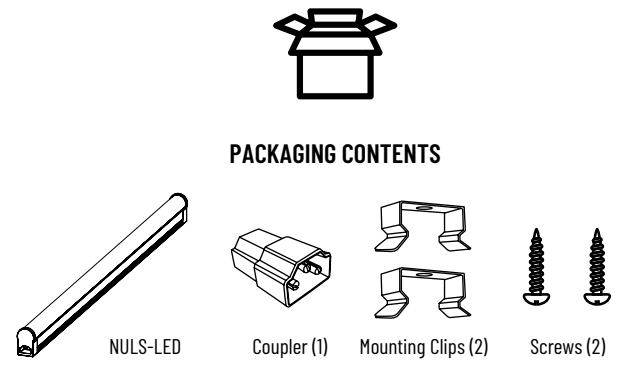
NULS-LED

NULS 120V Linkable LED Linear

READ PRIOR TO ATTEMPTING INSTALLATION
ALWAYS TURN OFF MAIN POWER BEFORE INSTALLATION
INSTALLATION SHOULD BE CARRIED OUT BY YOUR LOCAL ELECTRICIAN

⚠ IMPORTANT - This equipment is intended to be installed only by qualified personnel. The installation must be made in accordance with the current edition of the National Electrical Code and all applicable state and local building codes. The final installation must be approved by the appropriate, qualified electrical/building inspector(s). Improper installation may result in a fire or electrical hazard. Be sure the electrical power to the circuit has been disconnected before installing this electrical system.

⚠ IMPORTANT - Cet équipement est destiné à être installé uniquement par du personnel qualifié. L'installation doit être faite conformément à l'édition actuelle du Code national de l'électricité et à tous les codes de construction locaux et nationaux applicables. L'installation finale doit être approuvée par un ou plusieurs inspecteurs qualifiés en électricité / bâtiment. Une installation incorrecte peut entraîner un incendie ou un risque électrique. Assurez-vous que l'alimentation électrique du circuit a été déconnectée avant d'installer ce système électrique.



INSTALLATION: **NOTE: MAKE SURE THAT POWER IS OFF.**

1. Check to see if fixture will fit intended position with ample room to connect power cord.
2. Using screws that holds securely in mounting material, install mounting clips approximately 2" to 4" from each end of the NULS. (Figure 1)
3. Snap luminaire into clips. (Figure 2)
4. Connect power cord into end of luminaire. (Figure 3)

CONNECTING LUMINAIRES: **NOTE: MAKE SURE POWER IS OFF**

1. Use supplied end-to-end connector to join to next piece. The NULS has recommend distances on spec sheet.
2. Optional jumper cables can be used to address most installation needs. (A)
3. Check to make sure you have not exceed maximum distance.

MOUNTING JUNCTION BOX (OPTIONAL):

1. With power off, locate the best position for junction box.
2. Attach the power to the junction box using current NEC guidelines.
3. Secure junction box to surface.
4. Using an appropriate length, plug jumper cable (sold separately) into junction box and fixture.
5. Restore power.

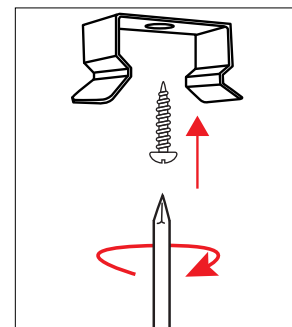


Figure 1

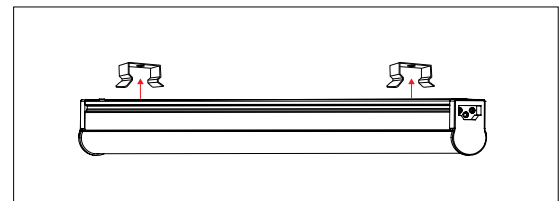


Figure 2

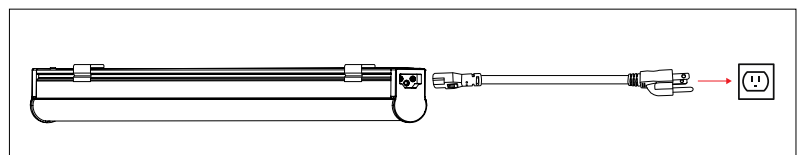
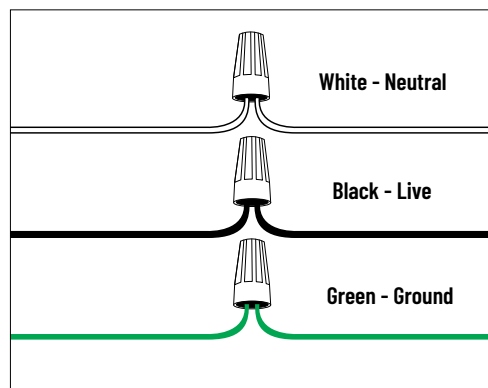
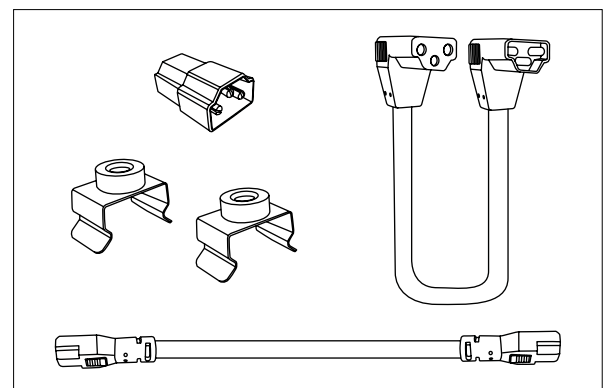


Figure 3



Wiring Diagram



A