

NUD-88 Series

LEDUR LED 120V Edge-Lit Undercabinet

Source: LED - 7 Watts / 350 Lumens Average per foot

PRODUCT DESCRIPTION

Nora Lighting's LEDUR LED undercabinet uses edge-lit placement of diodes to give a Uniform Reflectance of light. The LEDUR produces an even 350 lumens/7watts average per foot. Dimmable, no UV and forward heat make LEDUR the perfect energy saving lighting solution in undercabinet and shelf lighting. The LEDUR's uniform reflectance is excellent when used undercabinet over granite, polished stone or any reflective surface, additionally it is excellent in retail display lighting where diode image might distract from display merchandise.

FEATURES

- Edge lit design eliminates LED diode image
- Excellent color rendition - 90+ CRI
- 350 Lumens/ 7 watts per foot average
- Exceeds California Title 24 high efficacy requirements
- Available in 5 different lengths; 8-3/4", 11-1/4", 18-1/4", 22-1/4" & 32-3/4"
- Available in Dark Bronze or White Finish
- Dimmable LEDs
- Built-in on/off rocker switch
- Linkable up to 400 Watts fixtures
- 3 wire grounded electrical port on both ends for power or linking
- Quick connect stab-in connectors included
- Captive Screws for easy mounting
- Integral electronic driver
- 50,000 hours of rated lamp life

Included with every Unit:

Unit, Mounting Hardware, and 1/2" Die-Cast Metallic Cable Clamp, End to End Connector, installed On/Off Rocker Switch

Housing

Rear wireway access cover with stab-in electrical connectors facilitate wiring without opening the fixture. Additional knock-outs for top and back wiring.

Mounting

Mounting hardware is included with each unit. Captive screws allow for quick installation, simply wire using rear door and quick connects, and hold in place and drive captive screws into material. Captives screws are covered with an included cap for a beautiful finished look.

Dimming

Dimmable with standard triac dimmers. See tested dimmers.

ELECTRICAL

Voltage: 120V

Power Consumption: 7 Watts per foot average

Lumens: 350 lm / ft average

Color Rendering Index: 90+ CRI

Light Source: Edge-Lit LED

Life Expectancy: 50,000 Hours

Maximum Run Length: 400 Watts linked fixtures

Labels and Warranty

cULus Listed for Dry Location

Title 24 Compliant

Energy Star Rated



LED Undercabinet

CATALOG. NO.	LENGTH	WATTAGE	COLOR TEMP.	FINISH
NUD-88	08 = 8"	4.5W	27 = 2700K	BZ = Bronze
	11 = 11"	6.7W	30 = 3000K	W = White
	18 = 18"	11.0W	*40 = 4000K	
	22 = 22"	12.0W		
	32 = 32-3/16"	16.0W		

Example: NUD-8822/30W - 22" 12watt 30K white finish Edge lit LEDUR undercabinet

*40K Only available in White Finish

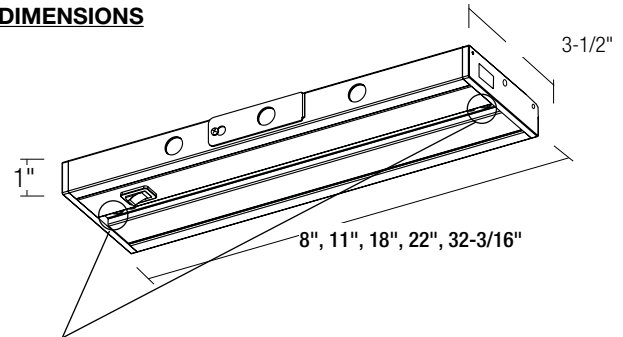
Type

Project

Catalog No.

Lamp/Wattage

DIMENSIONS



Captive Screws for easy mounting located at each end under removable cap

Length: 8", 11", 18", 22", 32-3/16"

Width: 3-1/2"

Height: 1"

COMPATIBLE DIMMERS:

Dimming Function: Continuous Dimming

Mfg	Model Number	Dimming Rate
LUTRON	DVW-603PGH-WH	0-100%
LUTRON	MACL-153MH-WH1	0-100%
LUTRON	DV-600PR-BL	0-100%
LUTRON	DV-600PR-WH	0-100%

ACCESSORIES

NUA-802B - Junction Box, Black

NUA-802W - Junction Box, White

NUA-803 - End to End Connector

(One included with each unit)

NUA-804B - 72" Hardwire Connector, Black

NUA-804W - 72" Hardwire Connector, White

NUA-805B - 72" Cord and Plug, Black

NUA-805W - 72" Cord and Plug, White

NUA-806B - 6" Jumper Cable, Black

NUA-806W - 6" Jumper Cable, White

NUA-812B - 12" Jumper Cable, Black

NUA-812W - 12" Jumper Cable, White

NUA-824B - 24" Jumper Cable, Black

NUA-824W - 24" Jumper Cable, White

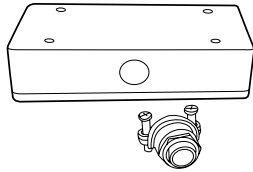
NUA-872B - 72" Jumper Cable, Black

NUA-872W - 72" Jumper Cable, White

LEDUC LED Undercabinet Accessories

Junction box

Used to power NUD-8800 Series using Jumper Cables or NUA-804.



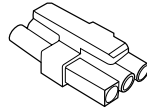
L: 6-1/4" W: 3-5/8" H: 1"

NUA-802B: Junction Box, Black

NUA-802W: Junction Box, White

End to End Connector

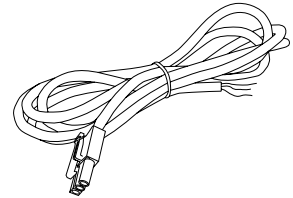
Use to join two NUD-8800 LED seamlessly together. One included with each unit.



NUA-803: End to End Connector

72" Hardwire Connector

3-Wire grounded connector/cable use to hardwire NUD-8800 Series LED fixture to NUA-802 or J-Box.

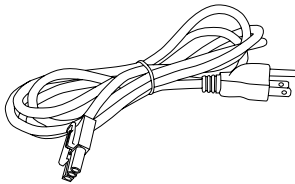


NUA-804B: 72" Hardwire Connector, Black

NUA-804W: 72" hardwire Connector, White

72" Cord and Plug Cable

Convert NUD-8800 Series fixtures from hardwire to direct plug-in units.

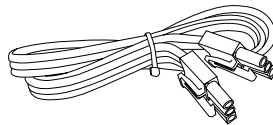


NUA-805B: 72" Cord and Plug, Black

NUA-805W: 72" Cord and Plug, White

Jumper Cable

Used to join NUD-8800 Series LED fixtures together or to an NUA-802.



NUA-806B: 6" Jumper Cable, Black

NUA-806W: 6" Jumper Cable, White

NUA-812B: 12" Jumper Cable, Black

NUA-812W: 12" Jumper Cable, White

NUA-824B: 24" Jumper Cable, Black

NUA-824W: 24" Jumper Cable, White

NUA-872B: 72" Jumper Cable, Black

NUA-872W: 72" Jumper Cable, White