

Type
Project
Catalog No.
Lamp/Wattage

NMT-36/12C2D1 / NMT-36/12C2D2
12 Volt, 36 Watt Class II
Dimmable Hardwire Magnetic Driver

PRODUCT DESCRIPTION

12 Volt enclosed driver to be used with Nora Lighting's 12 Volt systems requiring a Class II driver. Produce 36 watts and can be dimmed with low voltage magnetic dimmer. Includes a regulator to provide constant current and constant voltage.

FEATURES

- Fully dimmable, with low voltage magnetic dimmer
- Integral regulator for constant current and voltage
- Manual Reset Overload Protection for each Class II Circuit
- Indoor/Outdoor Enclosure Type 3R Enclosure
- Conduit Access Wiring Compartment
- Made in USA
- Meets Class II output limits
- 12 Volt DC Rated output
- Includes NAPK-10, 12V 10' Power Line Connector
- cULus Listed & CSA Approved
- Available in 120V or 277V

ELECTRICAL

Input: 120VAC or 277VAC, 50/60Hz

Output: 12VDC, 3A (Max.)

Wattage: 36W

OPTIONAL ACCESSORIES

NAPK-10: 12V 10' Power Line Connector (included with NMT-36/12C2D1 & NMT-36/12C2D2)

NAPK-30: 12V 30' Power Line Connector

Labels and Listings

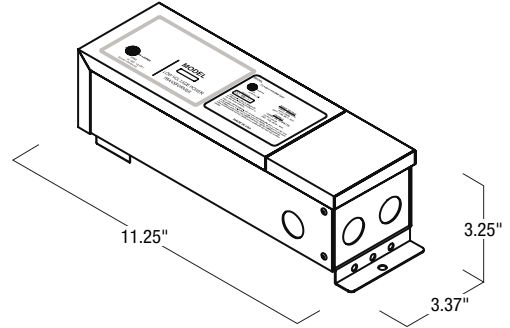
Three Year Limited Warranty

cULus Listed

CSA Approved



DIMENSIONS



Width: 3.37"
 Length: 11.25"
 Height: 3.25"

12V 36W Class II Dimmable Hardwire Magnetic Driver

NMT-36/12C2D1: 120V/12V 36W Class II Dimmable Hardwire Magnetic Driver

NMT-36/12C2D2: 277V/12V 36W Class II Dimmable Hardwire Magnetic Driver

Optional Accessories

NAPK-10: 12V 10' Power Line Connector (included with each driver)

NAPK-30: 12V 30' Power Line Connector