

NI0B-1SNB

1" Iolite BWF Square Bullnose Reflector

Source: 9W or 10W LED
600lm

Type

Project

Catalog No.

Notes

PRODUCT DESCRIPTION

1" Iolite BWF reflectors can be specified for use with Iolite new construction or remodel housings. Bullnose reflector with a filleted aperture which allows for minimal aperture brightness while still producing the nadir footcandles.

FEATURES

- 600lm / 9W or 10W
- 2700K, 3000K, 3500K, 4000K, 5000K @ 90+ CRI
- Cree® LED COB or Comfort Dim Technology
- 60° (Flood) optic installed, 40° (Narrow flood) and 20° (Spot) optics included
- 5-Year limited warranty

SPECIFICATION

Construction: Reflectors are constructed of heat dissipating, die-cast aluminum. The aluminum die-cast LED heat sink is threaded to fit the reflector and transfer heat.

Mounting: Reflector includes friction blades to mount securely to housing.

Field Changeable Optics: Each reflector comes with a 60° (installed), 40° and 20° optics (included).

ELECTRICAL

Lumens / Wattage: 600lm / wattage varies by housing (9W / LE3 or 10W / LE4)

Color Temperature: 2700K, 3000K, 3500K, 4000K, 5000K

CRI: 90+CRI

Operating Temp.: 0°C to 40°C ambient temperature

Lifetime: 50,000 hours @ L70

Comfort Dim: Comfort Dim color tunes the temperature from a bright 3100K, to a romantic and comfortable 2000K on a gradual, even curve.

Dimming: Specified by housing

COMPATIBLE HOUSINGS

Reflectors are compatible with respective Iolite housings manufactured by Nora Lighting.

CATALOG NO.	DESCRIPTION	LUMENS / WATTAGE
NH0ICD-16LE3	ICAT New Construction, 120V; Triac/ELV	600lm / 9W
NH0ICD-16LE4	ICAT New Construction, 120-277V; Triac/ELV/0-10V	600lm / 10W
NH0ICDCP-16LE3	Chicago Plenum, 120V; Triac/ELV	600lm / 9W
NH0ICDCP-16LE4	Chicago Plenum, 120-277V; Triac/ELV/0-10V	600lm / 10W
NHR0IC-16LE4	ICAT Remodel, 120-277V; Triac/ELV/0-10V	600lm / 10W

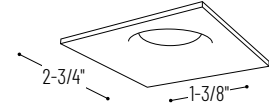
Accessories: Reflectors will accommodate (1) hex louver and (1) translucent deco collar or opaque snoot, no accessory holder is required, see accessories page.

LABELS AND LISTINGS

- cULus Listed for Wet Locations
- ENERGY STAR certified
- [5-Year Limited Warranty](#)
- RoHS Compliant
- Certified to the high efficacy requirements of California Title 24 JA8-2019



PRODUCT IMAGES & DIMENSIONS



NI0B-1SNB
Square Bullnose Reflector
Non-Adjustable



BB
Black



BZ
Bronze



MPW
Matte Powder White



NN
Natural Metal



WW
White

1" Iolite BWF Square Bullnose Reflector - Dedicated Housing Required

Reflector Type	Color Temp.	Finish
NI0B-1SNB = Square Bullnose	27X = 2700K	BB = Black
	30X = 3000K	BZ = Bronze
	35X = 3500K	MPW = Matte Powder White
	40X = 4000K	NN = Natural Metal
	50X = 5000K	WW = White
	CDX = Comfort Dim [†]	

[†] Comfort Dim technology uses non-Cree COB modules. 1" & 2" Iolite uses a different dimming curve than 4" Comfort Dim

Compatible Housings

Housing Type
NH0ICD-16LE3 = ICAT New Construction / Triac/ELV / 600lm / 9W
NH0ICD-16LE4 = ICAT New Const. / Triac/ELV/0-10V / 600lm / 10W
NH0ICDCP-16LE3 = Chicago Plenum / Triac/ELV / 600lm / 9W
NH0ICDCP-16LE4 = Chicago Plenum / Triac/ELV/0-10V / 600lm / 10W
NHR0IC-16LE4 = ICAT Remodel / Triac/ELV/0-10V / 600lm / 10W

Example: **NI0B-1SNB27XWW** = 1" Iolite BWF Square Bullnose Reflector, 2700K, White finish, 600lm

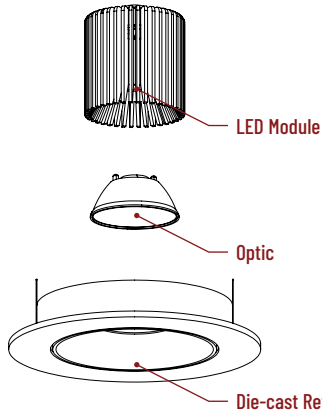
1" Iolite Accessories

1" Iolite BWF Square Bullnose Reflector

Type	
Project	
Catalog No.	
Notes	

FIELD CHANGEABLE OPTICS

Iolite reflectors include 20°, 40° and 60° optics. Optics can be changed in the field by removing LED module from die-cast reflector. Replacement optics include an optional frosted lens.

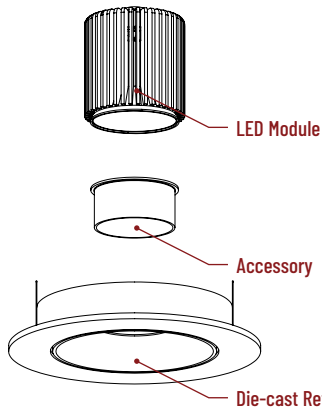


Frosted Filter-Optic

NIO-IREFL20FR	20° Optic
NIO-IREFL40FR	40° Optic
NIO-IREFL60FR	60° Optic

ACCESSORIES

Iolite accessories can be added at any point in the design process. Accessories easily install between LED module and die-cast reflector. Luminaire will accommodate (1) hex louver and (1) collar accessory, no accessory holder required.



Translucent Decorative Collar

NIO-1AS15(color)	5/8" length
NIO-1AS19(color)	3/4" length
NIO-1AS24(color)	1" length
Color:	
AM (amber), BLU (blue), FR (frosted), R (red)	

Translucent collars color the aperture with the specified color while producing white general light. Collars are available in different lengths. Use to add interest, create a theme, match a theme or define a space.



Opaque Collar Snoot

NIO-1AS15(color)	5/8" length
NIO-1AS19(color)	3/4" length
NIO-1AS24(color)	1" length
Color:	
BLK (black), MPW (matte powder white), WH (white)	

Opaque snoot greatly reduces aperture brightness while preserving light output. (Note: Black snoot will reduce light)



Hex Cell Louver

NIO-1HC	Black
---------	-------

Hex cell louver subtly reduces aperture brightness by reducing light output by about 20%.

FLUSH MOUNT

1" Iolite BWF reflectors can be installed flush with the drywall for a flush mount appearance. A flush mount mud ring is installed after the drywall and a professional drywall finisher floats the ceiling to blend in the mud ring.

Flush Mount Mud Ring

NIO-FMMR-1S	Square Mud Ring
-------------	-----------------

Mounts trim flush to ceiling with reflector flange visible. **Mud ring attaches to drywall. Requires and only for use with NHIOICD-16 or NHIOICDCP-16 new construction housings and NIOB-1S reflectors.**
Dimensions: 7-7/8" diameter 1/2" thick



PHOTOMETRICS

1" Iolite BWF Square Bullnose Reflector
600 lumens

Type

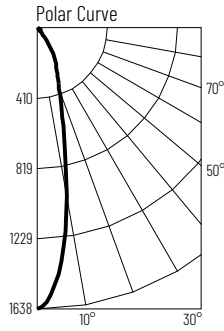
Project

Catalog No.

Notes

Test Information

Test Number: NTR11209
Part Number: NIOB-ISBN27MPW
Beam Spread: 24° Spot
Lumens: 564lm
Wattage: 9.38W
Efficacy: 60lpw
CCT / CRI: 2700K / 90 CRI
Spacing Criteria (0°-180): 0.42
Spacing Criteria (90°-270): 0.42



Illuminance at a Distance

Distance from Luminaire	FC at Nadir	Beam Diameter
4'	102fc	1'-8"
6'	45.5fc	2'-6"
8'	25.6fc	3'-5"
10'	16.4fc	4'-2"
12'	11.4fc	5'-1"

Zonal Lumen Summary

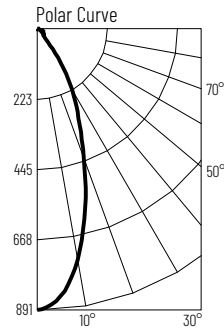
Zone	Lumens	% Luminaire
0-30	420	74.5
0-40	499	88.4
0-60	542	96
0-90	563	99.8
90-180	1	0.2
0-180	565	100

Candela Table

Vertical Angles	Candela
0	1638
5	1438
15	594
25	275
35	127
45	29

Test Information

Test Number: NTR11224
Part Number: NIOB-ISBN27MPW
Beam Spread: 39° Narrow Flood
Lumens: 545lm
Wattage: 9.32W
Efficacy: 58lpw
CCT / CRI: 2700K / 90 CRI
Spacing Criteria (0°-180): 0.64
Spacing Criteria (90°-270): 0.64



Illuminance at a Distance

Distance from Luminaire	FC at Nadir	Beam Diameter
4'	55.7fc	2'-11"
6'	24.7fc	4'-4"
8'	13.9fc	5'-8"
10'	8.9fc	7'-1"
12'	6.2fc	8'-7"

Zonal Lumen Summary

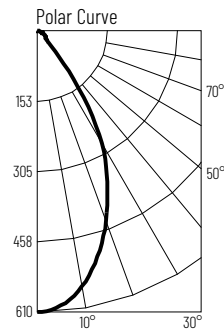
Zone	Lumens	% Luminaire
0-30	387	71
0-40	469	86
0-60	516	94.7
0-90	544	99.8
90-180	1	0.2
0-180	545	100

Candela Table

Vertical Angles	Candela
0	891
5	852
15	590
25	312
35	132
45	29

Test Information

Test Number: NTR11240
Part Number: NIOB-ISBN27MPW
Beam Spread: 57° Flood
Lumens: 547lm
Wattage: 9.33W
Efficacy: 59lpw
CCT / CRI: 2700K / 90 CRI
Spacing Criteria (0°-180): 0.86
Spacing Criteria (90°-270): 0.86



Illuminance at a Distance

Distance from Luminaire	FC at Nadir	Beam Diameter
4'	38.1fc	4'-5"
6'	16.9fc	6'-6"
8'	9.5fc	8'-8"
10'	6.1fc	10'-11"
12'	4.2fc	13'-1"

Zonal Lumen Summary

Zone	Lumens	% Luminaire
0-30	362	66.2
0-40	470	85.9
0-60	520	95
0-90	546	99.8
90-180	1	0.2
0-180	547	100

Candela Table

Vertical Angles	Candela
0	610
5	597
15	508
25	360
35	175
45	33

Lumen Output Multipliers

Color Temperature: 2700K (1.00), 3000K (1.11), 3500K (1.12), 4000K (1.11), 5000K (1.14)