

# NIOB-1RNG

## 1" Iolite BWF Round Reflector

Source: 9W or 10W LED  
600lm

Type

Project

Catalog No.

Notes

### PRODUCT DESCRIPTION

1" Iolite BWF reflectors can be specified for use with Iolite new construction or remodel housings. Straight reflector with sharp edge optimizes visual cut-off.

### FEATURES

- 600lm / 9W or 10W
- 2700K, 3000K, 3500K, 4000K, 5000K @ 90+ CRI
- Cree® LED COB or Comfort Dim Technology
- 60° (Flood) optic installed, 40° (Narrow flood) and 20° (Spot) optics included
- 5-Year limited warranty

### SPECIFICATION

**Construction:** Reflectors are constructed of heat dissipating, die-cast aluminum. The aluminum die-cast LED heat sink is threaded to fit the reflector and transfer heat.

**Mounting:** Reflector includes friction blades to mount securely to housing.

**Field Changeable Optics:** Each reflector comes with a 60° (installed), 40° and 20° optics (included).

### ELECTRICAL

**Lumens / Wattage:** 600lm / wattage varies by housing (9W / LE3 or 10W / LE4)

**Color Temperature:** 2700K, 3000K, 3500K, 4000K, 5000K

**CRI:** 90+CRI

**Operating Temp.:** 0°C to 40°C ambient temperature

**Lifetime:** 50,000 hours @ L70

**Comfort Dim:** Comfort Dim color tunes the temperature from a bright 3100K, to a romantic and comfortable 2000K on a gradual, even curve.

**Dimming:** Specified by housing

### COMPATIBLE HOUSINGS

Reflectors are compatible with respective Iolite housings manufactured by Nora Lighting.

CATALOG NO.	DESCRIPTION	LUMENS / WATTAGE
NHIOICD-16LE3	ICAT New Construction, 120V; Triac/ELV	600lm / 9W
NHIOICD-16LE4	ICAT New Construction, 120-277V; Triac/ELV/0-10V	600lm / 10W
NHIOICDCP-16LE3	Chicago Plenum, 120V; Triac/ELV	600lm / 9W
NHIOICDCP-16LE4	Chicago Plenum, 120-277V; Triac/ELV/0-10V	600lm / 10W
NHRIOIC-16LE4	ICAT Remodel, 120-277V; Triac/ELV/0-10V	600lm / 10W

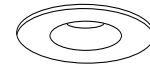
**Accessories:** Reflectors will accommodate (1) hex louver and (1) translucent deco collar or opaque snoot, no accessory holder is required, see accessories page.

### LABELS AND LISTINGS

- cULus Listed for Wet Locations
- ENERGY STAR certified
- [5-Year Limited Warranty](#)
- RoHS Compliant
- Certified to the high efficacy requirements of California Title 24 JA8-2019



### PRODUCT IMAGES & DIMENSIONS



1-3/8"  
2-3/4"

**NIOB-1RNG**  
Round Reflector  
Non-Adjustable



**BB**  
Black Reflector  
Black Flange



**BW**  
Black Reflector  
White Flange



**BZ**  
Bronze Reflector  
Bronze Flange



**CHMPW**  
Champagne Haze Reflector  
Matte Powder White Flange



**HW**  
Haze Reflector  
White Flange



**MPW**  
Matte Powder White Reflector  
Matte Powder White Flange



**NN**  
Natural Metal Reflector  
Natural Metal Flange



**WW**  
White Reflector  
White Flange

### 1" Iolite BWF Round Reflector - Dedicated Housing Required

Reflector Type	Color Temp.	Finish
<b>NIOB-1RNG</b> = Round Reflector	<b>27X</b> = 2700K	<b>BB</b> = Black / Black
	<b>30X</b> = 3000K	<b>BW</b> = Black / White
	<b>35X</b> = 3500K	<b>BZ</b> = Bronze / Bronze
	<b>40X</b> = 4000K	<b>CHMPW</b> = Champagne / Matte Powder White
	<b>50X</b> = 5000K	<b>HW</b> = Haze / White
	<b>CDX</b> = Comfort Dim <sup>†</sup>	<b>MPW</b> = Matte Powder White
		<b>NN</b> = Natural Metal / Natural Metal
	<b>WW</b> = White / White	

<sup>†</sup> Comfort Dim technology uses non-Cree COB modules. 1" & 2" Iolite uses a different dimming curve than 4" Comfort Dim

### Compatible Housings

Housing Type
<b>NHIOICD-16LE3</b> = ICAT New Construction / Triac/ELV / 600lm / 9W
<b>NHIOICD-16LE4</b> = ICAT New Const. / Triac/ELV/0-10V / 600lm / 10W
<b>NHIOICDCP-16LE3</b> = Chicago Plenum / Triac/ELV / 600lm / 9W
<b>NHIOICDCP-16LE4</b> = Chicago Plenum / Triac/ELV/0-10V / 600lm / 10W
<b>NHRIOIC-16LE4</b> = ICAT Remodel / Triac/ELV/0-10V / 600lm / 10W

Example: **NIOB-1RNG27XWW** = 1" Iolite BWF Round Reflector, 2700K, White finish, 600lm

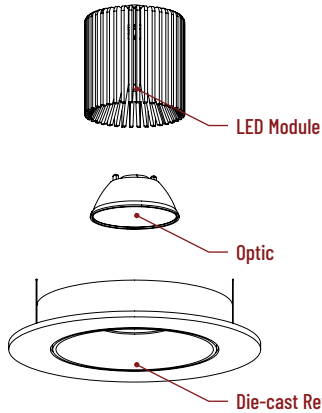
# 1" Iolite Accessories

## 1" Iolite BWF Round Reflector

Type	
Project	
Catalog No.	
Notes	

### FIELD CHANGEABLE OPTICS

Iolite reflectors include 20°, 40° and 60° optics. Optics can be changed in the field by removing LED module from die-cast reflector. Replacement optics include an optional frosted lens.

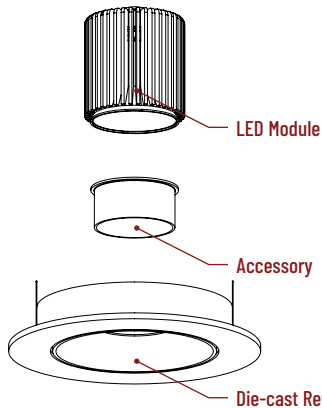


Frosted Filter-Optic

NIO-IREFL20FR	20° Optic
NIO-IREFL40FR	40° Optic
NIO-IREFL60FR	60° Optic

### ACCESSORIES

Iolite accessories can be added at any point in the design process. Accessories easily install between LED module and die-cast reflector. Luminaire will accommodate (1) hex louver and (1) collar accessory, no accessory holder required.



Translucent Decorative Collar

NIO-1AS15(color)	5/8" length
NIO-1AS19(color)	3/4" length
NIO-1AS24(color)	1" length
<b>Color:</b>	
AM (amber), BLU (blue), FR (frosted), R (red)	

Translucent collars color the aperture with the specified color while producing white general light. Collars are available in different lengths. Use to add interest, create a theme, match a theme or define a space.



Opaque Collar Snoot

NIO-1AS15(color)	5/8" length
NIO-1AS19(color)	3/4" length
NIO-1AS24(color)	1" length
<b>Color:</b>	
BLK (black), MPW (matte powder white), WH (white)	

Opaque snoot greatly reduces aperture brightness while preserving light output. (Note: Black snoot will reduce light)



Hex Cell Louver

NIO-1HC	Black
---------	-------

Hex cell louver subtly reduces aperture brightness by reducing light output by about 20%.

### FLUSH MOUNT

1" Iolite BWF reflectors can be installed flush with the drywall for a flush mount appearance. A flush mount mud ring is installed after the drywall and a professional drywall finisher floats the ceiling to blend in the mud ring.



Flush Mount Mud Ring

NIO-FMMR-1R	Round Mud Ring
-------------	----------------

Mounts trim flush to ceiling with reflector flange visible. **Mud ring attaches to drywall. Requires and only for use with NHIOICD-16 or NHIOICDCP-16 new construction housings and NIOB-1R reflectors.**  
Dimensions: 7-7/8" diameter 1/2" thick

# PHOTOMETRICS

1" Iolite BWF Round Reflector  
600 lumens

Type

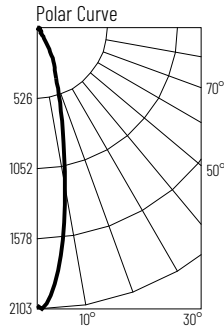
Project

Catalog No.

Notes

## Test Information

Test Number: NTR1350  
Part Number: NI0B-IRNG3525MPW  
Beam Spread: 23° Spot  
Lumens: 638lm  
Wattage: 9.2W  
Efficacy: 69lpw  
CCT / CRI: 3500K / 90 CRI  
Spacing Criteria (0°-180): 0.4  
Spacing Criteria (90°-270): 0.4



## Illuminance at a Distance

Distance from Luminaire	FC at Nadir	Beam Diameter
4'	130fc	1'-7"
6'	57.7fc	2'-5"
8'	32.5fc	3'-2"
10'	20.8fc	4'
12'	14.4fc	4'-10"

## Zonal Lumen Summary

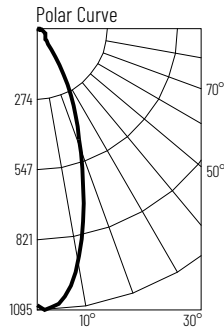
Zone	Lumens	% Luminaire
0-30	485	75.9
0-40	539	84.5
0-60	599	93.9
0-90	638	100
90-180	0	0
0-180	638	100

## Candela Table

Vertical Angles	Candela
0	2078
5	1776
15	706
25	291
35	77
45	43

## Test Information

Test Number: NTR1351  
Part Number: NI0B-IRNG3538MPW  
Beam Spread: 38° Narrow Flood  
Lumens: 627lm  
Wattage: 9.22W  
Efficacy: 68lpw  
CCT / CRI: 3500K / 90 CRI  
Spacing Criteria (0°-180): 0.6  
Spacing Criteria (90°-270): 0.62



## Illuminance at a Distance

Distance from Luminaire	FC at Nadir	Beam Diameter
4'	67.2fc	2'-7"
6'	29.9fc	3'-11"
8'	16.8fc	5'-2"
10'	10.8fc	6'-6"
12'	7.5fc	7'-10"

## Zonal Lumen Summary

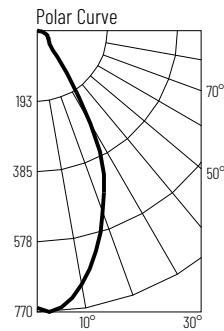
Zone	Lumens	% Luminaire
0-30	435	69.5
0-40	493	78.7
0-60	568	90.7
0-90	626	99.9
90-180	0	0.1
0-180	627	100

## Candela Table

Vertical Angles	Candela
0	1075
5	1032
15	674
25	332
35	86
45	46

## Test Information

Test Number: NTR1352  
Part Number: NI0B-IRNG3560MPW  
Beam Spread: 52° Flood  
Lumens: 653lm  
Wattage: 9.24W  
Efficacy: 71lpw  
CCT / CRI: 3500K / 90 CRI  
Spacing Criteria (0°-180): 0.82  
Spacing Criteria (90°-270): 0.84



## Illuminance at a Distance

Distance from Luminaire	FC at Nadir	Beam Diameter
4'	47.5fc	4'
6'	21.1fc	5'-11"
8'	11.9fc	7'-11"
10'	7.6fc	9'-11"
12'	5.3fc	11'-11"

## Zonal Lumen Summary

Zone	Lumens	% Luminaire
0-30	429	65.7
0-40	524	80.2
0-60	597	91.4
0-90	653	100
90-180	0	0
0-180	653	100

## Candela Table

Vertical Angles	Candela
0	759
5	742
15	608
25	418
35	141
45	48

## Lumen Output Multipliers

Color Temperature: 2700K (0.89), 3000K (0.99), 3500K (1.00), 4000K (0.98), 5000K (1.25)