

# NIO-2RTLND

## 2" Iolite Round Trimless Reflector

Source: 14W LED

800lm or 1000lm

Type

Project

Catalog No.

Notes

### PRODUCT DESCRIPTION

2" Trimless Iolite reflectors have no exposed trim flange and do not extend beyond the ceiling plane. Iolite Trimless requires a Trimless Mud Ring and New Construction housing. Deep regressed cone reflectors optimize visual cut-off.

### FEATURES

- Trimless knife edge appearance
- 800lm or 1000lm LED packages
- Cree® LED COB or Comfort Dim Technology
- 2700K, 3000K, 3500K, 4000K or 5000K @ 90+ CRI
- Flood optic, narrow flood and spot optics (included)
- 5-Year limited warranty

### SPECIFICATION

**Construction:** Trimless reflectors are constructed of heat dissipating, die-cast aluminum. The aluminum die-cast LED heat sink is threaded to fit the reflector and transfer heat.

**Mounting:** Reflector includes friction blades to mount securely to trimless mud ring. A trimless mud ring is required per reflector.

**Field Changeable Optics:** Each reflector comes with a flood, narrow flood and spot optics (included). Premium TIR optics are also available, see accessories page.

### ELECTRICAL

**Lumens / Wattage:** 800lm / 14W, 1000lm / 14W

**Color Temperature:** 2700K, 3000K, 3500K, 4000K, 5000K

**CRI:** 90+CRI

**Operating Temp.:** Specified by housing

**Lifetime:** 50,000 hours @ L70

**Comfort Dim:** Comfort Dim color tunes the temperature from a bright 3100K, to a romantic and comfortable 2000K on a gradual, even curve. Available in 800lm only.

**Dimming:** Specified by housing

### COMPATIBLE HOUSINGS

Reflectors are compatible with respective Iolite housings manufactured by Nora Lighting.

CATALOG NO.	DESCRIPTION	LUMENS / WATTAGE
NHIOICD-28	ICAT New Construction	800-1000lm / 14W
NHIOICDCP-28	Chicago Plenum	800-1000lm / 14W

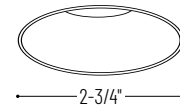
**Accessories:** Reflectors will accommodate (1) hex louver and (1) translucent deco collar or opaque snoot, no accessory holder is required, see accessories page. A trimless mud ring is required per reflector.

### LABELS AND LISTINGS

- cULus Listed for Wet Locations
- ENERGY STAR certified
- [5-Year Limited Warranty](#)
- RoHS Compliant
- Certified to the high efficacy requirements of California Title 24 JA8-2019



### PRODUCT IMAGES AND DIMENSIONS



**NIOB-2RTLND**  
Non-Adjustable



**BB**  
Black



**BZ**  
Bronze



**CH**  
Champagne Haze



**HZ**  
Haze



**MPW**  
Matte Powder White



**WW**  
White

## 2" Iolite Round Trimless Reflector - New Construction Housing & Trimless Mud Ring Required

Reflector Type	Color Temp.	Finish	Lumens / Wattage
<b>NIO-2RTLND</b> = Round Trimless	<b>27X</b> = 2700K	<b>BB</b> = Black	(blank) = 800lm / 14W
	<b>30X</b> = 3000K	<b>BZ</b> = Bronze	<b>/10</b> = 1000lm / 14W
	<b>35X</b> = 3500K	<b>CH</b> = Champagne Haze	
	<b>40X</b> = 4000K	<b>HZ</b> = Haze	
	<b>50X</b> = 5000K	<b>MPW</b> = Matte Powder White	
	<b>CDX</b> = Comfort Dim <sup>†</sup>	<b>WW</b> = White	

<sup>†</sup> Comfort Dim technology available in 800lm & uses non-Cree COB modules. 1" & 2" Iolite uses a different dimming curve than 4" Comfort Dim

## Compatible Housings

Housing Type
<b>NHIOICD-28</b> = ICAT New Construction / 800-1000lm / 14W
<b>NHIOICDCP-28</b> = Chicago Plenum / 800-1000lm / 14W

## 2" Iolite Trimless Mud Ring

Description
<b>NIO-TLMR-2R</b> = 2" Round Trimless Mud Ring

Example: **NIO-2RTLND27XWW / NIO-TLMR-2R** = 2" Iolite Round Trimless Reflector, 2700K, White finish, 800lm / 2" Round Trimless Mud Ring

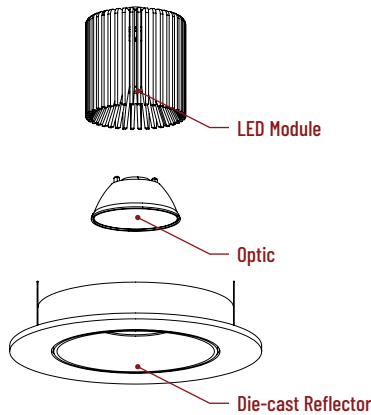
## 2" Iolite Accessories

### 2" Iolite Round Trimless Reflector

Type
Project
Catalog No.
Notes

#### FIELD CHANGEABLE OPTICS

Iolite reflectors include 25°, 38° and 60° optics. Optics can be changed in the field by removing LED module from die-cast reflector. Replacement optics include an optional frosted lens.



Frosted Filter-Optic

<b>NIO-REFL15FR</b>	15° Optic
<b>NIO-REFL25FR</b>	25° Optic
<b>NIO-REFL38FR</b>	38° Optic
<b>NIO-REFL60FR</b>	60° Optic

Optic assembly includes optional frosted lens. 25°, 38° and 60° optics are included with each reflector.



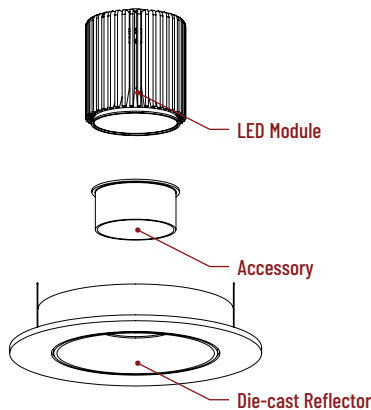
Premium TIR Optics

<b>NIO-REFLTIR15</b>	15° Optic
<b>NIO-REFLTIR25</b>	25° Optic

TIR optics are not compatible with Comfort Dim technology.

#### ACCESSORIES

Iolite accessories can be added at any point in the design process. Accessories easily install between LED module and die-cast reflector. Luminaire will accommodate (1) hex louver and (1) collar accessory, no accessory holder required.



Translucent Decorative Collar

<b>NIO-AS14(color)</b>	5/8" length
<b>NIO-AS19(color)</b>	3/4" length
<b>NIO-AS26(color)</b>	1" length
<b>Color:</b>	
<b>AM</b> (amber), <b>BLU</b> (blue), <b>FR</b> (frosted), <b>R</b> (red)	

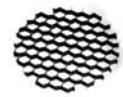
Translucent collars color the aperture with the specified color while producing white general light. Collars are available in different lengths. Use to add interest, create a theme, match a theme or define a space.



Opaque Collar Snoot

<b>NIO-AS14(color)</b>	5/8" length
<b>NIO-AS19(color)</b>	3/4" length
<b>NIO-AS26(color)</b>	1" length
<b>Color:</b>	
<b>BLK</b> (black), <b>MPW</b> (matte powder white), <b>WH</b> (white)	

Opaque snoot greatly reduces aperture brightness while preserving light output. (Note: Black snoot will reduce light)



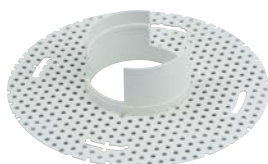
Hex Cell Louver

<b>NIO-HC</b>	Black
---------------	-------

Hex cell louver subtly reduces aperture brightness by reducing light output by about 20%.

#### TRIMLESS

2" Iolite trimless reflectors have no exposed trim flange and the result is a minimalist knife edge appearance. A trimless mount mud ring is installed after the drywall and a professional drywall finisher floats the ceiling to blend in the mud ring.



Trimless Mount Mud Ring

#### NIO-TLMR-2R

Mounts trimless reflector with no exposed flange and no extension beyond ceiling plane. Mud ring attaches to drywall. **Only for use with NHIOICD-28 or NHIOICDCP-28 new construction housings and NIO-2R reflectors.**  
Dimensions: 7-7/8" diameter 1/2" thick