

# NHIC-928QAT

## 6" Super Slope IC Air-Tight Line Voltage New Construction Housing

Source: 75W Max. (Varies by trim)

Type

Project

Catalog No.

Notes

### PRODUCT DESCRIPTION

New construction housing for pitched ceilings ranging from 7/12 (30°) to 12/12 (45°). Air-tight housing additionally reduces energy costs by decreasing the flow of air escaping through the ceiling. Rated for direct contact with insulation and adjacent ceiling structures.

### FEATURES

- IC Air-Tight energy saving by reducing the flow of air through the ceiling
- Rated for direct contact with insulation
- cULus listed for damp location and through branch circuit wiring
- 24-1/2" Bar hangers with captive nails and alignment foot
- Accommodates ceiling pitches from 7/12 to 12/12
- Fits in 2" x 8" joist construction

### CONSTRUCTION

**Plaster Frame:** High quality 0.035 steel die cut one piece frame. Integral brackets and winguts enable housing to be adjusted for 7/12 to 12/12 ceiling pitch. Accommodates ceiling thicknesses from 5/8" to 1".

**Housing:** 0.035 steel housing. Riveted wrap and dome cap construction. Integral fold-out torsion spring brackets. Knockouts near top of housing provided for coil springs.

**Air Flow Restriction:** Housing has factory installed gaskets to restrict airflow from room into ceiling plenum to <2CFM (cubic feet per minute) in accordance with ASTM-283 Air-Tight requirements.

**Clearance:** "IC" Insulated ceiling housings are direct contact rated. Not to be used in direct contact with spray foam insulation.

**Bar Hangers:** Two 13-3/4" to 24-1/2" adjustable bar hangers with captive nails are included on frame. Hanger bars have T-Bar slot and alignment feet. Bar hangers are parallel to junction box, but can be repositioned 90° perpendicular to junction box if desired. "L" Shaped bar hanger foot to align to bottom of construction joist. A T-Bar notch allows easy installation in a suspended ceiling.

### ELECTRICAL

**Input Voltage:** 120V

**Socket:** Galvanized steel socket plate adjusts inside housing for ceiling pitch. Contains a single medium base socket. Protective cap included to protect socket interior during ceiling painting.

**Lamp:** Lamp type based on trim selection

**Wattage:** 75W max. (wattage varies based on trim)

**Junction Box:** Prewired 25 cubic inch 0.064" thick galvanized steel, with five 1/2", two 3/4" knockouts, four Romex® pryouts, and snap on covers. All leads are #18AWG wire, the ground wire is connected to the bottom, and quick connectors are supplied on all leads. Maximum of 8 no. 12 AWG through branch circuit conductors suitable for at least 90°C permitted in junction box.

**Quick Connect Feature:** Housing contains three UL approved quick connections that allow insertion of 1/4" stripped solid or tinned standard conductors to be inserted into the connector. Connectors are pre-attached to fixture power, common, and ground circuits.

**Thermal Protector:** Standard UL thermal protector rated for 90°C is affixed to inner top surface of housing.

### COMPATIBILITY

[NLRS-6S11](#) - 6" Super Slope LED Retrofit Reflector

[NLRS-6S12](#) - 6" Super Slope LED Retrofit Baffle

[NTM-616/45](#) - 6" Super Slope Reflector

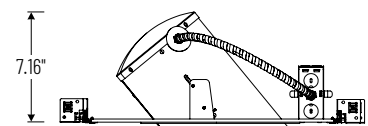
[NTM-617/45](#) - 6" Super Slope Baffle

### LABELS AND LISTINGS

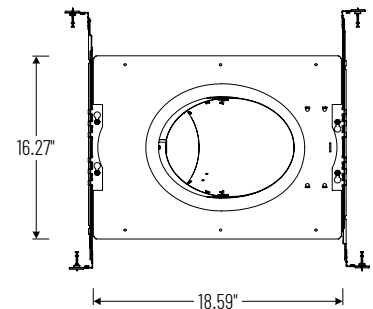
- cULus Listed for Damp Location w/ Feed Through (Wet Location when used with designated trims)
- Meets or exceeds ASTM-283 Air-Tight Requirements



### PRODUCT IMAGES & DIMENSIONS



6-1/2" x 8-1/4"  
Ceiling Cut-Out



## 6" Super Slope IC Air-Tight Line Voltage New Construction Housing

Housing Type

**NHIC-928QAT:** 6" Super Slope IC Air-Tight Line Voltage New Construction Housing, labeled at 75W max.

Example: **NHIC-928QAT:** 6" Super Slope IC Air-Tight Line Voltage New Construction Housing