

# Installation Instructions

NC2-439, NC2-639, NC2-839

## Sapphire II Adjustable Reflectors

READ PRIOR TO ATTEMPTING INSTALLATION  
ALWAYS TURN OFF MAIN POWER BEFORE INSTALLATION  
INSTALLATION SHOULD BE CARRIED OUT BY YOUR LOCAL ELECTRICIAN

**⚠ WARNING:** Risk of fire or electric shock. Installation of this luminaire assembly requires a person familiar with the construction and operation of the luminaire's electrical system and the hazard involved. If not qualified, do not attempt installation. Contact qualified electrician.

**⚠ AVERTISSEMENT:** Risque d'incendie ou d'électrocution. Ne modifiez pas, ne déplacez pas et n'ôtez pas le câblage, les porte-lampe, le bloc d'alimentation ou tout autre composant électrique.

**⚠ WARNING:** To prevent wiring damage or abrasion, do not expose wiring to edges of sheet metal or other sharp objects.

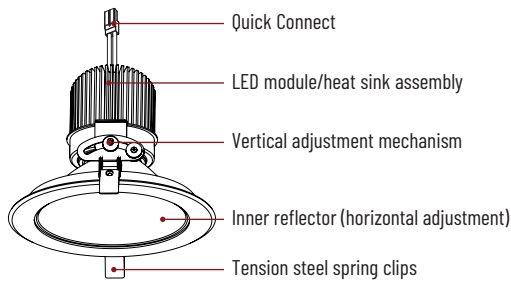
**⚠ AVERTISSEMENT:** Afin d'éviter tout endommagement ou abrasion du câblage, ne mettez pas en contact le câblage avec les arêtes de la tôle ou d'autres objets tranchants.

**⚠ WARNING:** Risk of fire or electric shock. Do not alter, relocate, or remove wiring, lampholders, power supply, or any other electrical component.

**⚠ AVERTISSEMENT:** Risque d'incendie ou de choc électrique. Ne modifiez pas, ne déplacez pas ou n'enlevez pas le câblage, les douilles de lampe, l'alimentation électrique ou tout autre composant électrique.



### PACKAGING CONTENTS

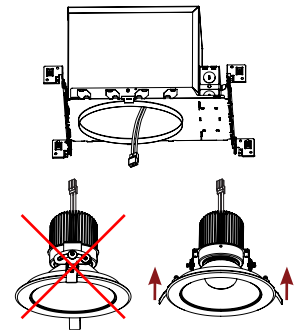


### REFLECTOR INSTALLATION

1. Connect quick connect on reflector to quick connect inside the housing.
2. Push both tension steel spring clips up to insert into housing opening.

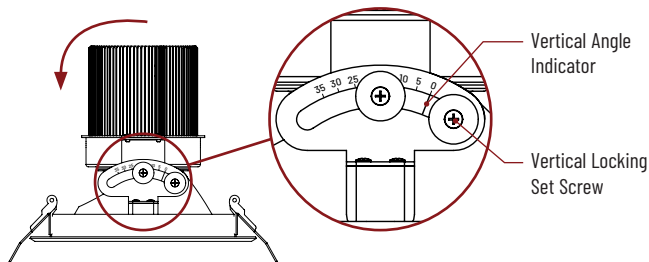
**NOTE:** Tension steel spring clips must be perpendicular to junction box to align correctly

3. Insert reflector into housing. Ensure the spring clips are holding the reflector securely.



### VERTICAL ADJUSTMENT

1. Loosen vertical locking set screw to allow fixture to adjust vertically.
2. Adjust LED module/heat sink assembly to desired angle.
3. Tighten vertical locking set screw to lock position.



### HORIZONTAL ADJUSTMENT

1. Inner reflector can be rotated up to 359° horizontally.
  2. Turn LED module/heat sink assembly to desired orientation.
- NOTE:** LED module/heat sink adjust along axis of slot aperture of reflector

