

There is more than one version of this model.
Page down to identify the version you have.

DESCRIPTION

- Metal construction with various finishes identified by suffix
- 1/2" IPS connections
- Hot and cold temperature indicators available
- Installation through 3 holes, 1" min. diameter, and 4" on center
- Includes metal pop-up waste assembly (6172)
- Includes 50% metal/50% plastic waste assembly (66172)

OPERATION

- Lever style handles with optional hot & cold indicators available
- Maximum handle rotation angle is 90° to full on for either handle
- Hot side counterclockwise to open (clockwise to close)
- Cold side clockwise to open (counterclockwise to close)

FLOW

- Water usage is limited to these maximum flow rates as indicated by the corresponding product markings
- ° 1.2 gpm max (4.5L/min) at 60 psi

CARTRIDGE

- 1234 cartridge design
- Nonmetallic, nonferrous and stainless steel material

STANDARDS

- Third party certified to WaterSense®, ASME A112.18.1/CSA B125.1, and all applicable requirements referenced therein
- Certified to NSF 61/9 & 372
- Products marked with 1.2 gpm are compliant with California water efficiency regulations
- Complies with California Proposition 65 and with the Federal Safe Drinking Water Act
- ADA ♿ for lever handle

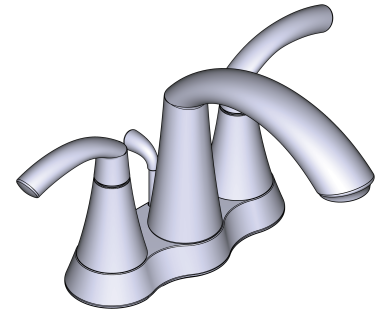
WARRANTY

- Lifetime limited warranty against leaks, drips and finish defects to the original consumer purchaser
 - 10 year warranty if used in commercial installations
 - 5 year warranty if used in commercial installations
- Visit www.moen.com/support for complete details and limitations

OPTIONS (See Illustrated Parts page)

- Thin and thick deck mounting hardware kits available

Specifications

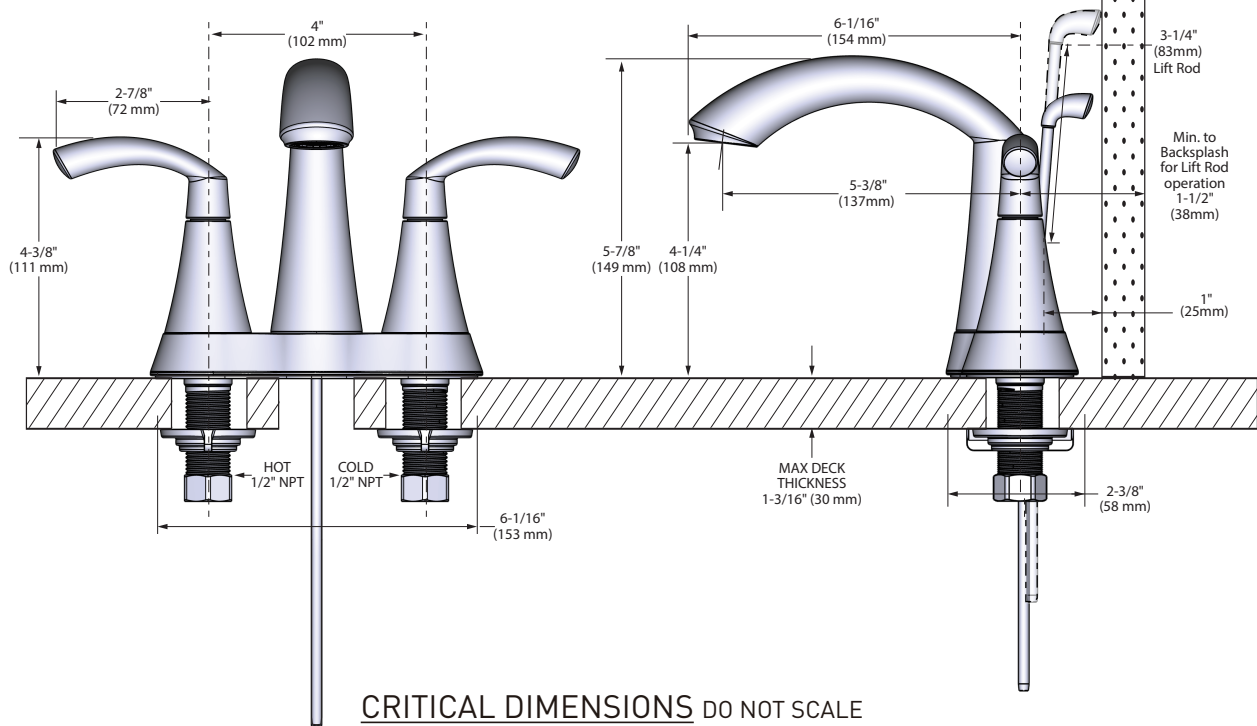


GLYDE™

Two-Handle 4" Centerset
Lavatory Faucet

Models: 6172 series and 66172
(bulk) includes
pop-up waste

NOTE: THIS FAUCET IS DESIGNED
TO BE INSTALLED THROUGH
3 HOLES, 1" MIN. DIA.



CRITICAL DIMENSIONS DO NOT SCALE

There is more than one version of this model.
Page down to identify the version you have.

DESCRIPTION

- Metal construction with various finishes identified by suffix
- 1/2" IPS connections
- Hot and cold temperature indicators available
- Installation through 3 holes, 1" min. diameter, and 4" on center
- Includes metal pop-up waste assembly (6172)
- Includes 50% metal/50% plastic waste assembly (66172)

OPERATION

- Lever style handles with optional hot & cold indicators available
- Maximum handle rotation angle is 90° to full on for either handle
- Hot side counterclockwise to open (clockwise to close)
- Cold side clockwise to open (counterclockwise to close)

FLOW

- Water usage is limited to these maximum flow rates as indicated by the corresponding product markings
- 1.2 gpm max (4.5L/min) at 60 psi

CARTRIDGE

- 1234 cartridge design
- Nonmetallic, nonferrous and stainless steel material

STANDARDS

- Third party certified to WaterSense,® ASME A112.18.1/CSA B125.1, and all applicable requirements referenced therein
- Certified to NSF 61/9 & 372
- Products marked with 1.2 gpm are compliant with California water efficiency regulations
- Complies with California Proposition 65 and with the Federal Safe Drinking Water Act
- ADA ♿ for lever handle

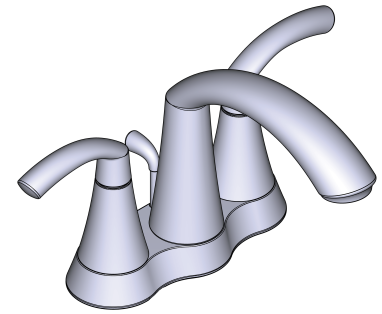
WARRANTY

- Lifetime limited warranty against leaks, drips and finish defects to the original consumer purchaser
- 10 year warranty if used in commercial installations
- 5 year warranty if used in commercial installations

Visit www.moen.com/support for complete details and limitations

OPTIONS (See Illustrated Parts page)

- Thin and thick deck mounting hardware kits available



GLYDE™

Two-Handle 4" Centerset Lavatory Faucet

Models: 6172 series and 66172
(bulk) includes
pop-up waste

NOTE: THIS FAUCET IS DESIGNED
TO BE INSTALLED THROUGH
3 HOLES, 1" MIN. DIA.

