

INSTALLATION INSTRUCTION

217 - LED Wall Sconce

WS-21718



MODERN FORMS
A WAC LIGHTING COMPANY

WARNING

IMPORTANT: NEVER attempt any work without shutting off the electricity.

- Read all instructions before installing.
- System is intended for installation by a qualified electrician in accordance with the National Electrical Code and local regulations.
- Go to the main fuse box, or circuit breaker. Place the main power switch in the "OFF" position and unscrew the fuse(s) or switch "OFF" the circuit breaker switch(es) that control the power to the fixture or room that you are working on.
- Place the wall switch in the "OFF" position.

CAUTION

- All parts must be used as indicated in these instructions. Do not substitute any parts, leave parts out, or use any parts that are worn out or broken. Failure to follow this instruction could invalidate the ETL/CETL listing of this fixture.
CAUTION When handling the fixture, do not apply pressure to the LEDs. Hold the fixture by the base only.

AVERTISSEMENT

IMPORTANT : Coupez l'électricité avant TOUTE manipulation.

- Lisez toutes les instructions avant d'installer.
- Système est destiné à être installé par un électricien qualifié en conformité avec le code national de l'électricité et les règlements locaux.
- Accédez au panneau central de disjoncteurs ou de fusibles de votre demeure et placez l'interrupteur principal en position d'arrêt (« OFF »).
- Placez l'interrupteur mural en position d'arrêt (« OFF »).

MISE EN GARDE

- Toutes les pièces doivent être utilisées tel qu'il est indiqué dans ces instructions. Ne remplacez pas les pièces, n'en laissez pas de côté et ne les utilisez pas si elles sont usées ou brisées. Le non-respect de ces instructions peut annuler l'homologation ETL/CETL du luminaire. MISE EN GARDE Ors de la manipulation de l'appareil, ne pas appliquer de pression à la LED, tenir l'appareil par la seule base.

ADVERTENCIA

IMPORTANTE: NUNCA intente hacer trabajos sin desconectar el suministro eléctrico.

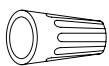
- Lea y comprenda todas las instrucciones e ilustraciones por completo antes de proceder con el ensamblaje e instalación de esta lámpara.
- Sistema está diseñado para ser instalado por un electricista calificado, de acuerdo con el código eléctrico nacional y las normas locales.
- Diríjase a la caja de fusibles o a la caja del interruptor de circuito principal en su hogar. Coloque el interruptor de alimentación principal en la posición "OFF" (APAGADO).
- Coloque el interruptor de la pared en la posición "OFF" (APAGADO).

PRECAUCIÓN

- Todas las piezas deben usarse como lo indican estas instrucciones. No reemplace las piezas, no omita piezas durante la instalación ni utilice piezas gastadas o rotas. El incumplimiento de esta indicación podría invalidar la calificación ETL/CETL esta lámpara. PRECAUCIÓN Al manipular el aparato, no aplique presión a los LED, mantenga el aparato en la base sólo.

HARDWARE

A1



Wire Connector
Qty: 5 pcs + 1 Extra
7EAC112201
P3

B1



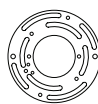
Mounting Screw
Qty: 1 Extra
7MPF0409S3
5/32 - 32x3/8
Nickel Plating

C1



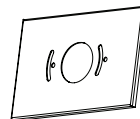
Junction Box Screw
Qty: 2 pcs + 1 Extra
7MPF0415C2
#8 - 32x5/8 SS

D1



Mounting Ring
Qty: 1 pc
7MBC101501

E1



Conversion Plate
Qty: 1 pc
4MBC151110CH
4MBC151110BN1

F1



Assembly Screw
Qty: 2 pcs + 1 Extra
7MPF0808C1
#8 - 32x3/8 SS

G1



Driver
Qty: 1 pc
4LD-700MA28U-IS-P

modernforms.com
Phone (800) 526.2588
Fax (800) 526.2585

Headquarters/Eastern Distribution Center
44 Harbor Park Drive
Port Washington, NY 11050

Central Distribution Center
1600 Distribution Ct
Lithia Springs, GA 30122

Western Distribution Center
1750 Archibald Avenue
Ontario, CA 91760



INSTALLATION INSTRUCTION
217 - LED Wall Sconce
 WS-21718



MODERN FORMS
 A WAC LIGHTING COMPANY

FIG. 1 MOUNT ON SWITCH BOX

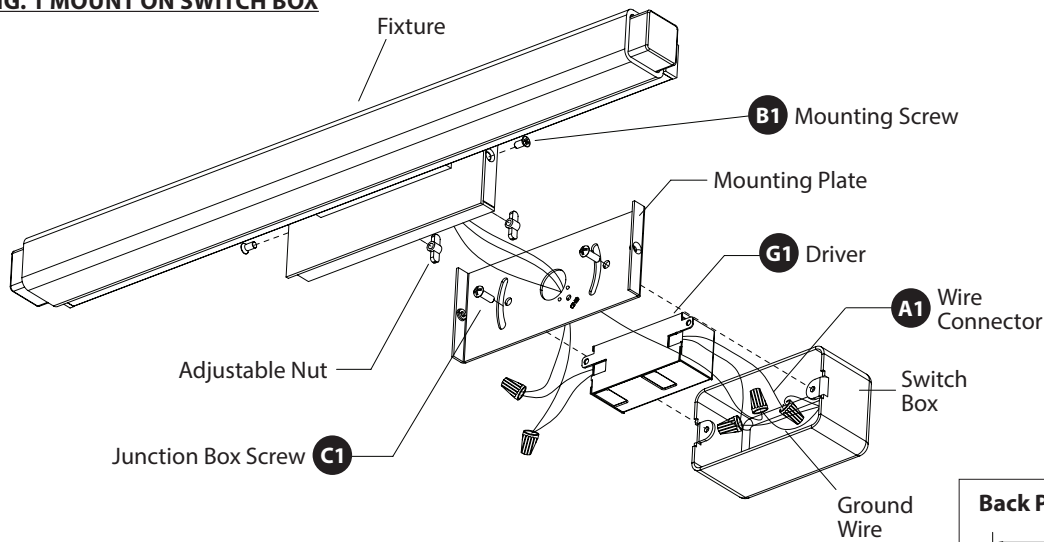


FIG. 2 MOUNT ON JUNCTION BOX

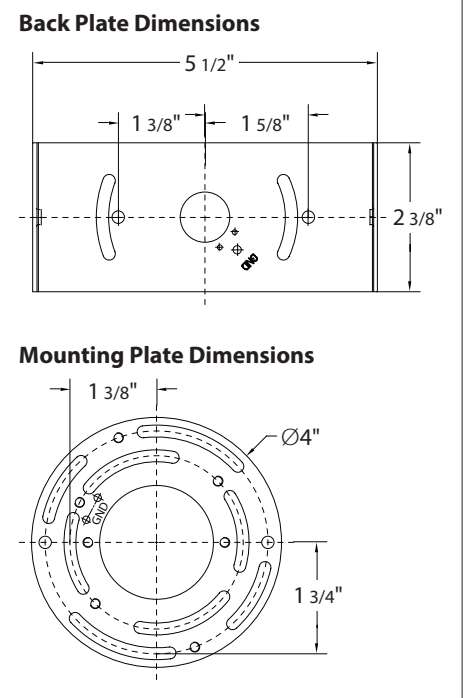
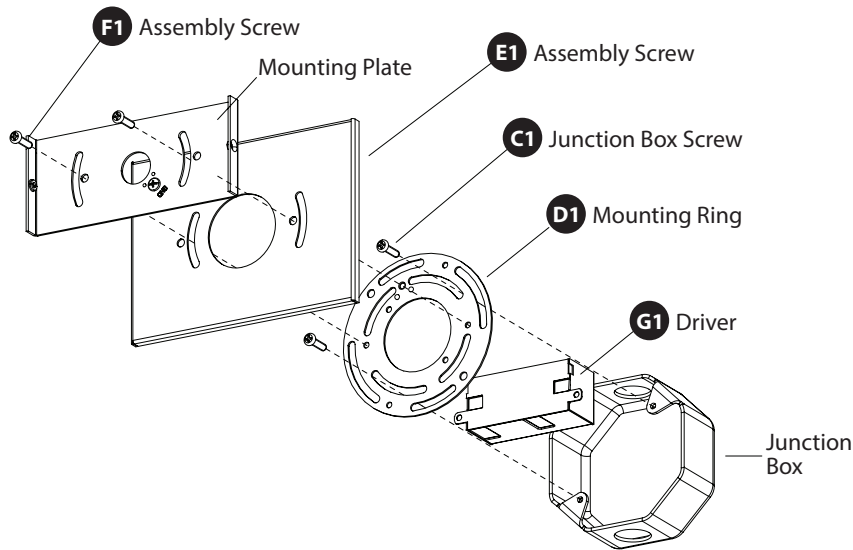
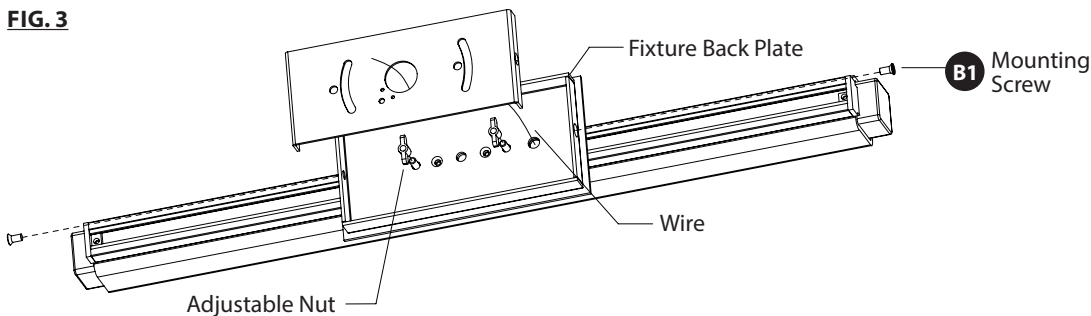


FIG. 3



modernforms.com
 Phone (800) 526.2588
 Fax (800) 526.2585

Headquarters/Eastern Distribution Center
 44 Harbor Park Drive
 Port Washington, NY 11050

Central Distribution Center
 1600 Distribution Ct
 Lithia Springs, GA 30122

Western Distribution Center
 1750 Archibald Avenue
 Ontario, CA 91760



INSTALLATION INSTRUCTION

217 - LED Wall Sconce

WS-21718



PREPARATION

1. Shut off the power at the circuit breaker and remove existing fixture, including the crossbar.
2. Carefully unpack your new fixture and lay out all the parts on a clear area. Be careful not to lose any small parts necessary for installation.

INSTALLATION

MOUNT ON SWITCH BOX (Fig. 1)

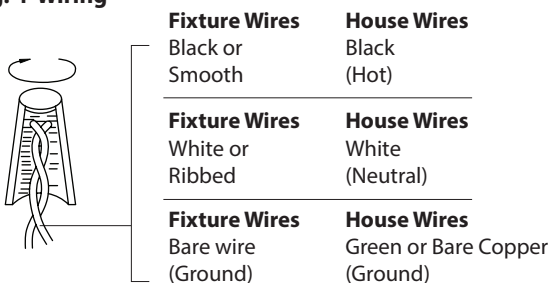
3. Remove the mounting screws (B1) from the fixture.
4. Connect the driver (G1) input wire to switch box wires as shown in **Fig. 3**, making sure that all wire connectors (A1) are secured. If your outlet box has a green or bare copper ground wire, connect the fixture's ground wire to it. Otherwise, connect the fixture's ground wire directly to the back plate using the green screw provided. After wires are connected, tuck them carefully inside the switch box.
***Requires Driver to be recessed within the switch box.**
5. Secure the mounting plate to the switch box using the junction box screws (C1). The side of the mounting plate marked "GND" must face out.
6. The back plate location for this fixture is adjustable. First, loosen both adjustable nuts by turning counterclockwise. Second, adjust the back plate to your desired location. Third, pull and tighten the electrical wire. Lastly, secure the back plate by turning both adjustable nuts clockwise.
7. Place the fixture over the mounting plate, and secure it with mounting screws (B1).

OR

MOUNT ON JUNCTION BOX (Fig. 2)

3. Remove the mounting screws (B1) from the fixture.
4. Connect the driver (G1) input wire to junction box wires as shown in **Fig. 3**, making sure that all wire connectors (A1) are secured. If your outlet box has a green or bare copper ground wire, connect the fixture's ground wire to it. Otherwise, connect the fixture's ground wire directly to the back plate using the green screw provided. After wires are connected, tuck them carefully inside the junction box.
***Requires Driver to be recessed within the junction box.**
5. Secure the mounting ring (D1) to the switch box using the junction box screws (C1). Make sure the two holes (Spacing 2-3/4") are horizontal as shown in **Fig. 2**. The side of the mounting plate marked "GND" must face out.
6. Secure the mounting plate and conversion plate (E1) to the mounting ring with assembly screw (F1).
7. The back plate location for this fixture is adjustable. First, loosen both adjustable nuts by turning counterclockwise. Second, adjust the back plate to your desired location. Third, pull and tighten the electrical wire. Lastly, secure the back plate by turning both adjustable nuts clockwise.
8. Place the fixture over the mounting plate, and secure it with mounting screws (B1).

Fig. 4 Wiring



INSTALLATION INSTRUCTION

217 - LED Wall Sconce

WS-21724 / WS-21736



MODERN FORMS
A WAC LIGHTING COMPANY

WARNING

IMPORTANT: NEVER attempt any work without shutting off the electricity.

- Read all instructions before installing.
- System is intended for installation by a qualified electrician in accordance with the National Electrical Code and local regulations.
- Go to the main fuse box, or circuit breaker. Place the main power switch in the "OFF" position and unscrew the fuse(s) or switch "OFF" the circuit breaker switch(es) that control the power to the fixture or room that you are working on.
- Place the wall switch in the "OFF" position.

CAUTION

- All parts must be used as indicated in these instructions. Do not substitute any parts, leave parts out, or use any parts that are worn out or broken. Failure to follow this instruction could invalidate the ETL/CETL listing of this fixture.
CAUTION When handling the fixture, do not apply pressure to the LEDs. Hold the fixture by the base only.

AVERTISSEMENT

IMPORTANT : Coupez l'électricité avant TOUTE manipulation.

- Lisez toutes les instructions avant d'installer.
- Système est destiné à être installé par un électricien qualifié en conformité avec le code national de l'électricité et les règlements locaux.
- Accédez au panneau central de disjoncteurs ou de fusibles de votre demeure et placez l'interrupteur principal en position d'arrêt (« OFF »).
- Placez l'interrupteur mural en position d'arrêt (« OFF »).

MISE EN GARDE

- Toutes les pièces doivent être utilisées tel qu'il est indiqué dans ces instructions. Ne remplacez pas les pièces, n'en laissez pas de côté et ne les utilisez pas si elles sont usées ou brisées. Le non-respect de ces instructions peut annuler l'homologation ETL/CETL du luminaire. MISE EN GARDE Ors de la manipulation de l'appareil, ne pas appliquer de pression à la LED, tenir l'appareil par la seule base.

ADVERTENCIA

IMPORTANTE: NUNCA intente hacer trabajos sin desconectar el suministro eléctrico.

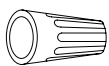
- Lea y comprenda todas las instrucciones e ilustraciones por completo antes de proceder con el ensamblaje e instalación de esta lámpara.
- Sistema está diseñado para ser instalado por un electricista calificado, de acuerdo con el código eléctrico nacional y las normas locales.
- Diríjase a la caja de fusibles o a la caja del interruptor de circuito principal en su hogar. Coloque el interruptor de alimentación principal en la posición "OFF" (APAGADO).
- Coloque el interruptor de la pared en la posición "OFF" (APAGADO).

PRECAUCIÓN

- Todas las piezas deben usarse como lo indican estas instrucciones. No reemplace las piezas, no omita piezas durante la instalación ni utilice piezas gastadas o rotas. El incumplimiento de esta indicación podría invalidar la calificación ETL/CETL esta lámpara. PRECAUCIÓN Al manipular el aparato, no aplique presión a los LED, mantenga el aparato en la base sólo.

HARDWARE

A1



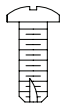
Wire Connector
Qty: 5 pcs + 1 Extra
7EAC112201
P3

B1



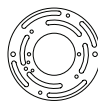
Mounting Screw
Qty: 1 Extra
7MPF0409S3
5/32 - 32x3/8
Nickel Plating

C1



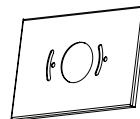
Junction Box Screw
Qty: 2 pcs + 1 Extra
7MPF0415C2
#8 - 32x5/8 SS

D1



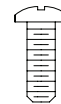
Mounting Ring
Qty: 1 pc
7MBC101501

E1



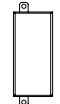
Conversion Plate
Qty: 1 pc
4MBC171111CH
4MBC171111BN1
4MBC201105CH
4MBC201105BN1

F1



Assembly Screw
Qty: 2 pcs + 1 Extra
7MPF0808C1
#8 - 32x3/8 SS

G1



Driver
Qty: 1 pc
4LD-700MA28U-IS-P

modernforms.com
Phone (800) 526.2588
Fax (800) 526.2585

Headquarters/Eastern Distribution Center
44 Harbor Park Drive
Port Washington, NY 11050

Central Distribution Center
1600 Distribution Ct
Lithia Springs, GA 30122

Western Distribution Center
1750 Archibald Avenue
Ontario, CA 91760



INSTALLATION INSTRUCTION
217 - LED Wall Sconce
 WS-21724 / WS-21736

FIG. 1 MOUNT ON SWITCH BOX

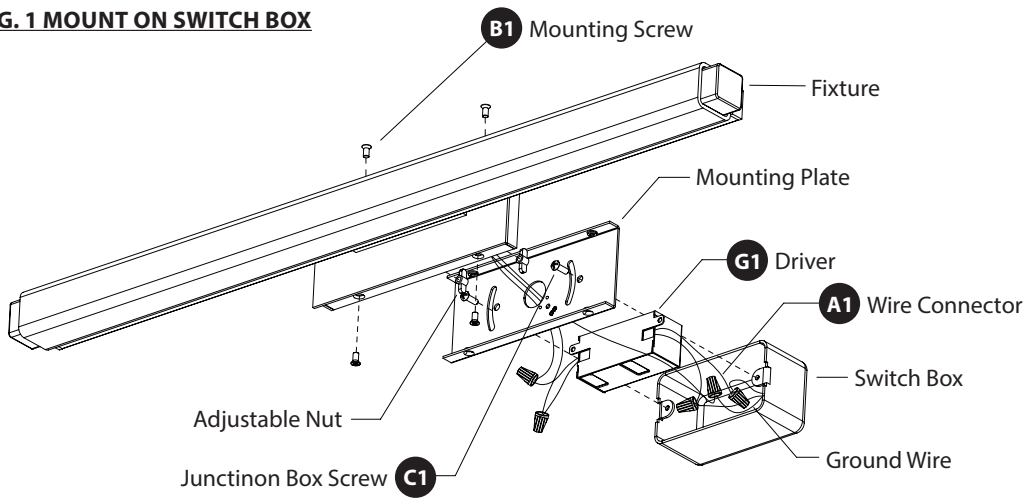
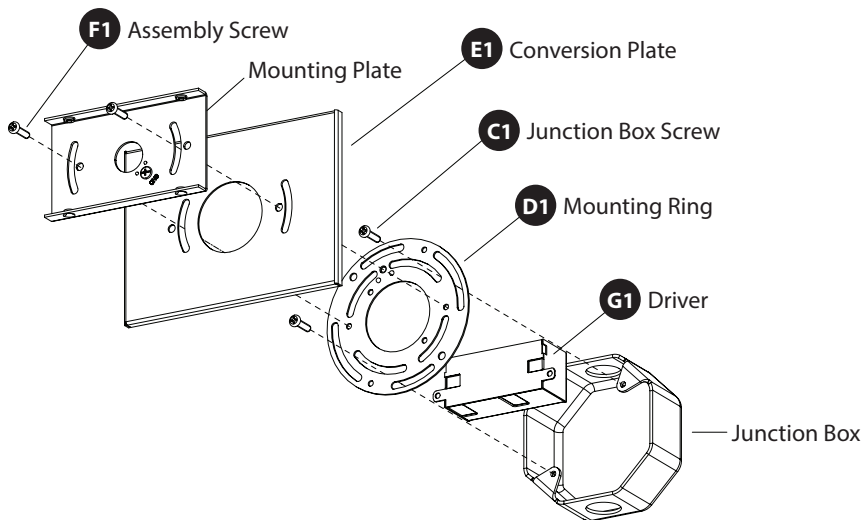
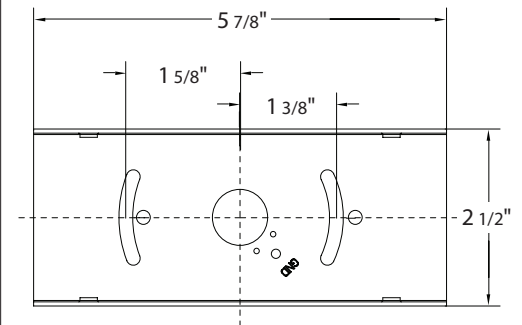


FIG. 2 MOUNT ON JUNCTION BOX



Back Plate Dimensions



Mounting Plate Dimensions

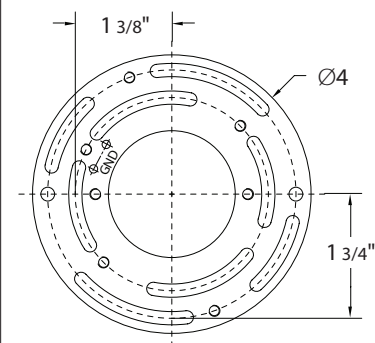
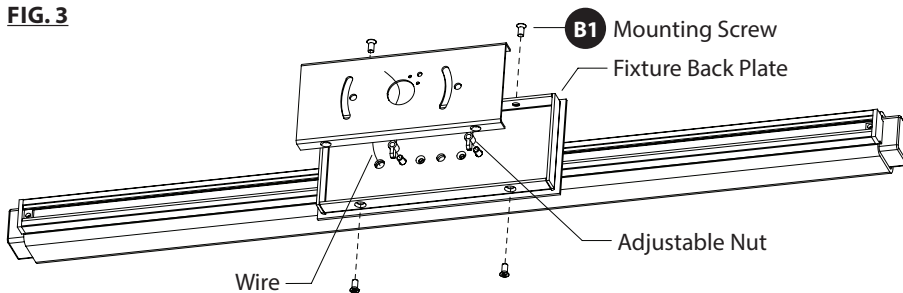


FIG. 3



INSTALLATION INSTRUCTION

217 - LED Wall Sconce

WS-21724 / WS-21736



MODERN FORMS
A WAC LIGHTING COMPANY

PREPARATION

1. Shut off the power at the circuit breaker and remove existing fixture, including the crossbar.
2. Carefully unpack your new fixture and lay out all the parts on a clear area. Be careful not to lose any small parts necessary for installation.

INSTALLATION

MOUNT ON SWITCH BOX (Fig. 1)

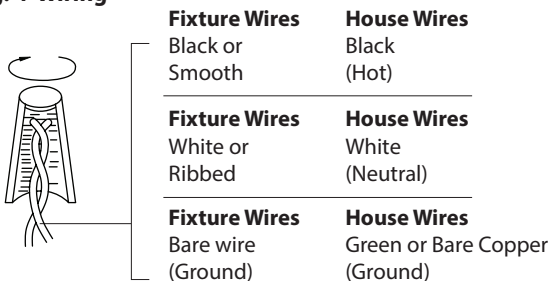
3. Remove the mounting screws (B1) from the fixture.
4. Connect the driver (G1) input wire to switch box wires as shown in **Fig. 3**, making sure that all wire connectors (A1) are secured. If your outlet box has a green or bare copper ground wire, connect the fixture's ground wire to it. Otherwise, connect the fixture's ground wire directly to the back plate using the green screw provided. After wires are connected, tuck them carefully inside the switch box.
***Requires Driver to be recessed within the switch box.**
5. Secure the mounting plate to the switch box using the junction box screws (C1). The side of the mounting plate marked "GND" must face out.
6. The back plate location for this fixture is adjustable. First, loosen both adjustable nuts by turning counterclockwise. Second, adjust the back plate to your desired location. Third, pull and tighten the electrical wire. Lastly, secure the back plate by turning both adjustable nuts clockwise.
7. Place the fixture over the mounting plate, and secure it with mounting screws (B1).

OR

MOUNT ON JUNCTION BOX (Fig. 2)

3. Remove the mounting screws (B1) from the fixture.
4. Connect the driver (G1) input wire to junction box wires as shown in **Fig. 3**, making sure that all wire connectors (A1) are secured. If your outlet box has a green or bare copper ground wire, connect the fixture's ground wire to it. Otherwise, connect the fixture's ground wire directly to the back plate using the green screw provided. After wires are connected, tuck them carefully inside the junction box.
***Requires Driver to be recessed within the junction box.**
5. Secure the mounting ring (D1) to the switch box using the junction box screws (C1). Make sure the two holes (Spacing 2-3/4") are horizontal as shown in **Fig. 2**. The side of the mounting plate marked "GND" must face out.
6. Secure the mounting plate and conversion plate (E1) to the mounting ring with assembly screw (F1).
7. The back plate location for this fixture is adjustable. First, loosen both adjustable nuts by turning counterclockwise. Second, adjust the back plate to your desired location. Third, pull and tighten the electrical wire. Lastly, secure the back plate by turning both adjustable nuts clockwise.
8. Place the fixture over the mounting plate, and secure it with mounting screws (B1).

Fig. 4 Wiring



modernforms.com
Phone (800) 526.2588
Fax (800) 526.2585

Headquarters/Eastern Distribution Center
44 Harbor Park Drive
Port Washington, NY 11050

Central Distribution Center
1600 Distribution Ct
Lithia Springs, GA 30122

Western Distribution Center
1750 Archibald Avenue
Ontario, CA 91760

